

Model #

# 1382GACg

# 1382CAFg

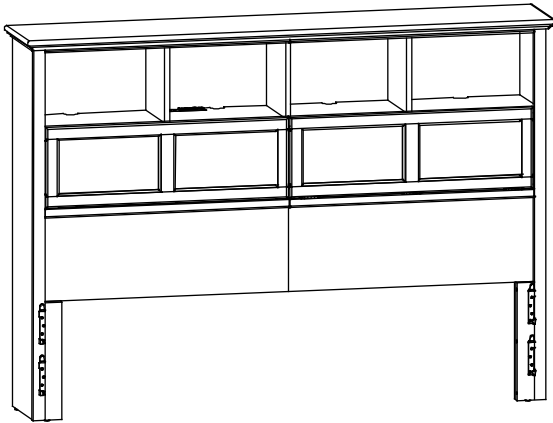
## McKenzie Cal-King Bookcase

## Headboard

**GAC = Glazed Antique Cherry finish**

**CAF = Caffè finish**

*Assembly Instructions*



*Thank you for allowing us to help you furnish your home. We are certain you will be delighted with your new furniture for many years to come.*

### IMPORTANT NOTES:

- For normal household use only. *Not* recommended for commercial use.
- Unload items before you move this unit.
- Do not overload the concealed storage areas.
- Do not overload the cubbies.
- This assembly requires two people.

### WARNING

Drilling, sawing, sanding or machining wood products can expose you to wood dust, a substance known to the state of California to cause cancer. Avoid inhaling wood dust or use a dust mask or other safeguards for personal protection.

For more information go to: [www.p65warnings.ca.gov/wood](http://www.p65warnings.ca.gov/wood)

This product can expose you to chemicals, including formaldehyde, which are known to the State of California to cause cancer.

For more information go to: [www.p65warnings.ca.gov/furniture](http://www.p65warnings.ca.gov/furniture)

**DESIGN SUBJECT TO CHANGE WITHOUT NOTICE.**

### CUSTOMER SERVICE

If you ever have questions about your furniture, please do not hesitate to contact us. In the unlikely event you need a replacement part; we can make those parts available through an authorized Whittier Wood Furniture dealer. If you cannot order replacement parts through your dealer, please contact our customer service department.

**Hours:** Our friendly customer service staff can be reached:

**Monday-Friday 8:00 a.m. to 5:00 p.m. (Pacific Time).**

You may leave a message 24 hours a day, seven days a week.

**Customer Service:** 800-653-3336 • **Outside the U.S.:** 541-687-0213

**Fax:** 541-687-2060 • **Email:** [info@whittierwood.com](mailto:info@whittierwood.com)

**Whittier  
Wood**  
FURNITURE

P.O. Box 2827  
Eugene, OR 97402 USA

Production Code:

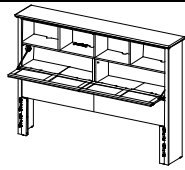

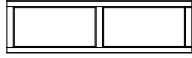





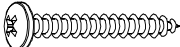











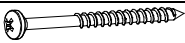

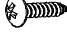

VN

09/17

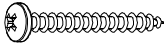
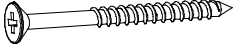







# 1382GACg 1382CAFg McKenzie Cal-King Bookcase Headboard

## Parts List

Please identify the parts and check that quantities received match those on this list.  
If you need to replace a part, refer to the following letter and part name.

Part	Description		Quantity
Ag	Headboard Assembly		1
E	#8 x 1-1/4" Black Screw (inserted)		12
R	Assembled Door (attached)		2
Sg	False Bottom		4
XA	Top Assembly (attached)		1
XB	Power Bar and USB (installed)		1
YA	Large Adjustable Glide (installed)		2
YB	#8 x 5/8" Pan Head Screw (inserted)		8
YG	#14 x 1-1/4" Pan Head Screw		6
YJ	#8 x 1-3/8" Lo-Profile Screw (inserted)		10
YL	#8 x 7/8" Black Lo-Profile Screw (inserted)		4
YR	#8 Washer (inserted)		1
YS	Wood Dowel (inserted)		2
YT	1/4" x 1-1/2" Hex Bolt (inserted)		6
ZA	Hinge (installed)		6
ZB	Magnetic Plate (installed)		4
ZC	Magnetic Catch (installed)		4
ZE	Door Stay (attached)		2
ZF	#6 x 5/8" Undercut Screw ZN (inserted)		8
ZG	Door Stay Support (attached)		2
ZH	#6 x 1-1/4" Black Pan Head Screw (inserted)		6
ZI	#6 x 5/8" Undercut Screw AB (inserted)		44
ZJ	#6 x 5/8" Philtruss Screw (inserted)		17
ZK	18mm Washer		12 (6 inserted)

**1382GACg 1382CAFg McKenzie Cal-King Bookcase Headboard**  
*Parts List*

<b>Part</b>	<b>Description</b>	<b>Quantity</b>
ZN	#8 x 1-1/4" Pan Head Screw (inserted) 	10
ZO	#8 x 2-1/4" Black Screw (inserted) 	6
ZP	#8 x 1" Black Screw (inserted) 	16
ZQ	Left Bracket (attached) 	2
ZR	Right Bracket (attached) 	2
ZS	Wire Clip Screw (attached) 	8
ZT	Tack Glide (attached) 	4
ZU	1/4" T-Nut (inserted) 	6
ZZ	Corner Brace (attached) 	2

# 1382GACg 1382CAFg McKenzie Cal-King Bookcase Headboard

## Assembly Instructions

**Tools Required:** Drill, 1/8" bit, Phillips Screwdriver, Slotted Screwdriver.  
**Optional:** 7/16" open end or box end wrench.

**NOTE:** Use this instruction and hardware kit included with this 1382 McKenzie Cal-King Bookcase Headboard **ONLY** if you are using a Hollywood frame.

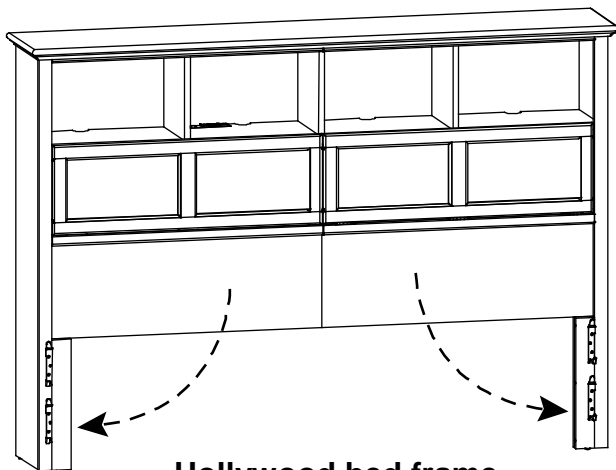
**IF** you are using this product with Whittier Wood Furniture Footboard and Pedestal kits, disregard this instruction and hardware and use what is included with your Footboard kit.

**Note:** Assembly can be separated into three pieces for ease of maneuvering through narrow halls and stairways; if you need to perform this process see steps 7 through 11.

1. Remove the metal brackets attached to the Headboard (Ag).
2. Place the Headboard (Ag) against the end brackets of the frame and mark the locations for the screws. Drill pilot holes approximately 1-1/4" deep. To make sure you don't drill deeper, measure 1-1/4" up from the end of the drill bit and wrap a piece of tape around the bit. Stop drilling when the edge of the tape meets the wood.
3. Position the Headboard (Ag) against the frame and attach using six #14 x 1-1/4" Pan Head Screws (YG) and six Washers (ZK).
4. Place your bed in its final position. To level the headboard, reach behind the bookcase front legs and, using a slotted screwdriver, find the Large Adjustable Glide (YA). Using a slotted screwdriver, rotate the Large Adjustable Glides (YA) clockwise until they bear weight. See Figures 4, 4a and 4b.

**This is important if the bookcase headboard sits upon a carpet tack strip.**

Fig. 4



Hollywood bed frame removed for illustration purposes.

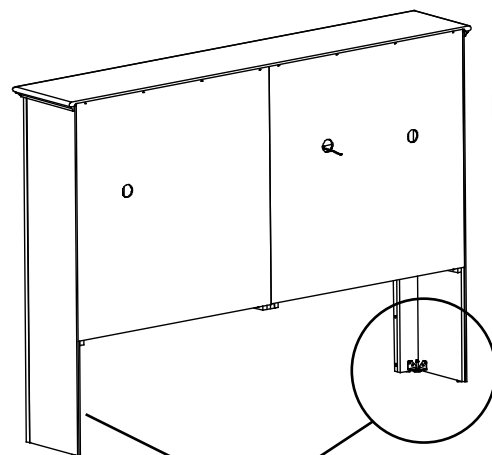


Fig. 4a

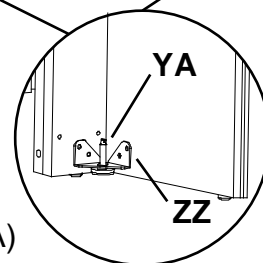


Fig. 4b

The top of the Large Adjustable Glide (YA) is slotted.

# 1382GACg 1382CAFg McKenzie Cal-King Bookcase Headboard

## Assembly Instructions

5. Open the Door (R). To adjust the brake tension on the Door Stay (ZE) turn the screw on the front of the Door Stay clockwise to loosen or counterclockwise to tighten. See Figures 5 and 5a.



Fig. 5a

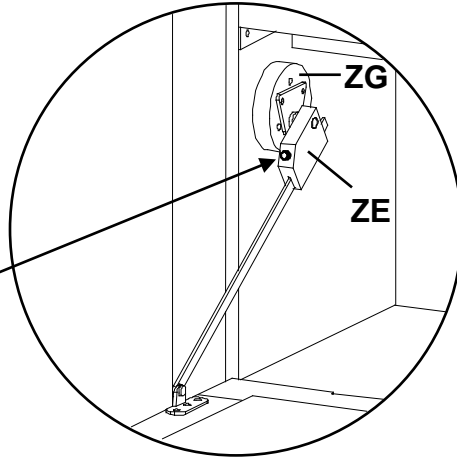


Fig. 5

6. Unwrap the False Bottoms (Sg) and place them on top of the rails in the Headboard Assembly (Ag). Make sure the finger holes face forward as shown in Figure 6. After you have placed your electronics inside the cubbies, use the Wire Clips (ZS) on the underside of the cubbies to secure the wires. Close the door tightly making sure the magnetic catches and plates securely touch.

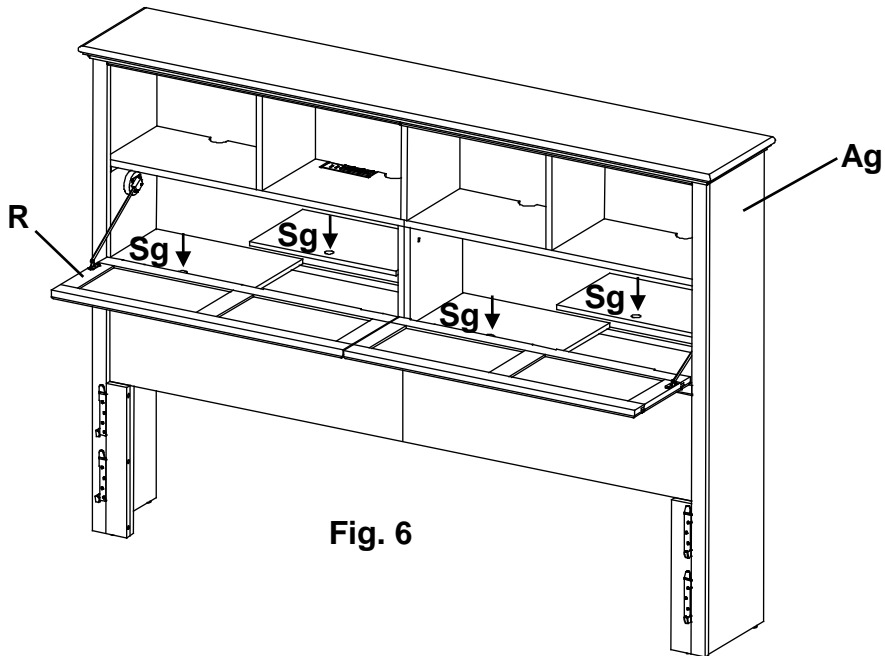
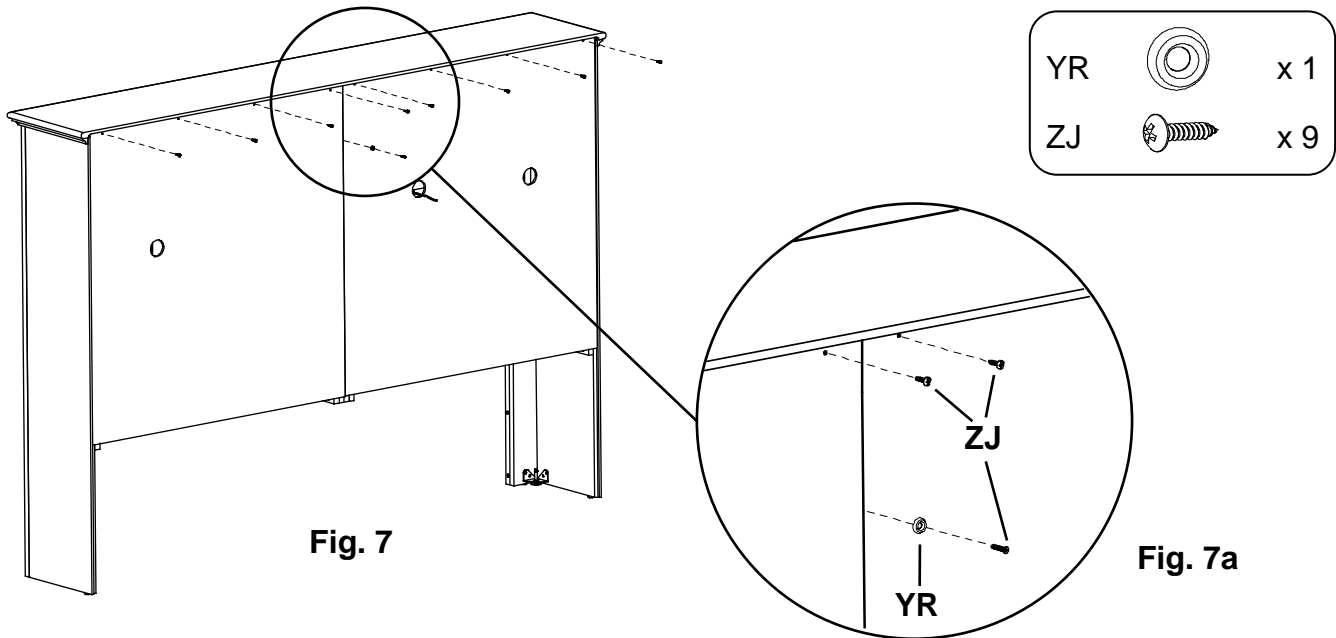


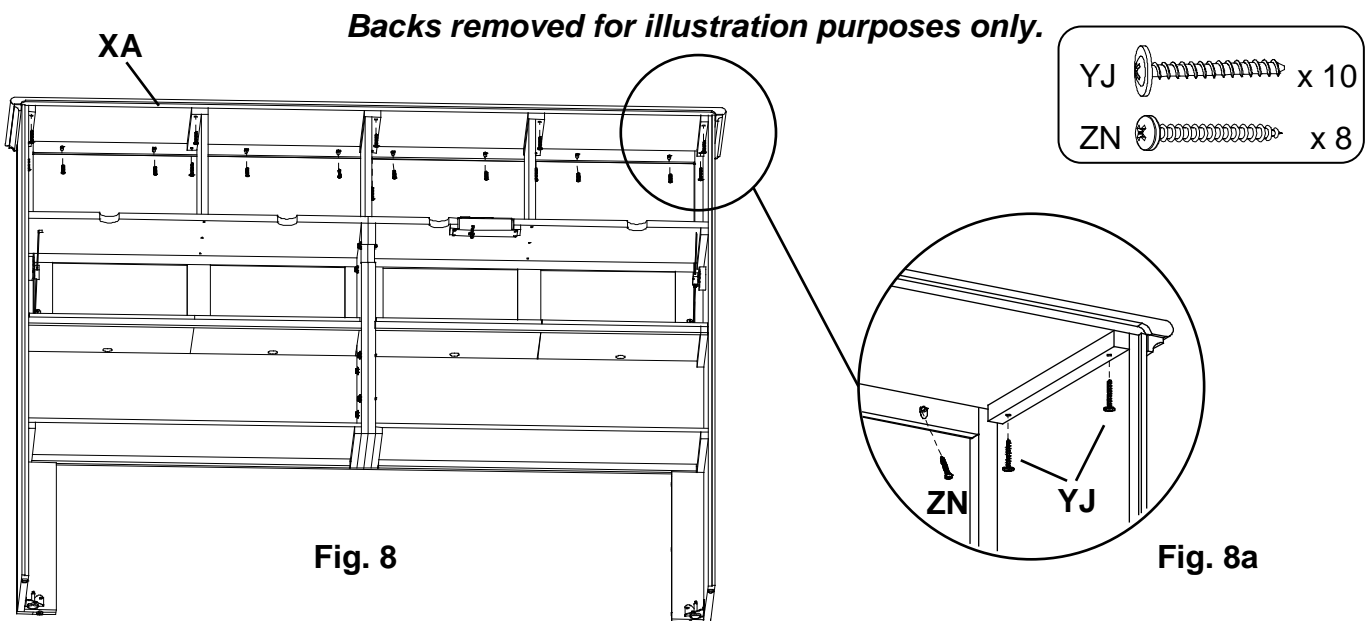
Fig. 6

# 1382GACg 1382CAFg McKenzie Cal-King Bookcase Headboard Assembly Instructions

7. To divide this larger unit into three sub-assemblies, start by removing the Top Assembly (XA). Remove the #6 x 5/8" Philtruss Screw (ZJ) and #8 Washer (YR) connecting the Backs to the Vertical Divider, and the #6 x 5/8" Philtruss Screws (ZJ) connecting the backs to the Top Assembly. Do not remove the Backs. See Figures 7 and 7a.



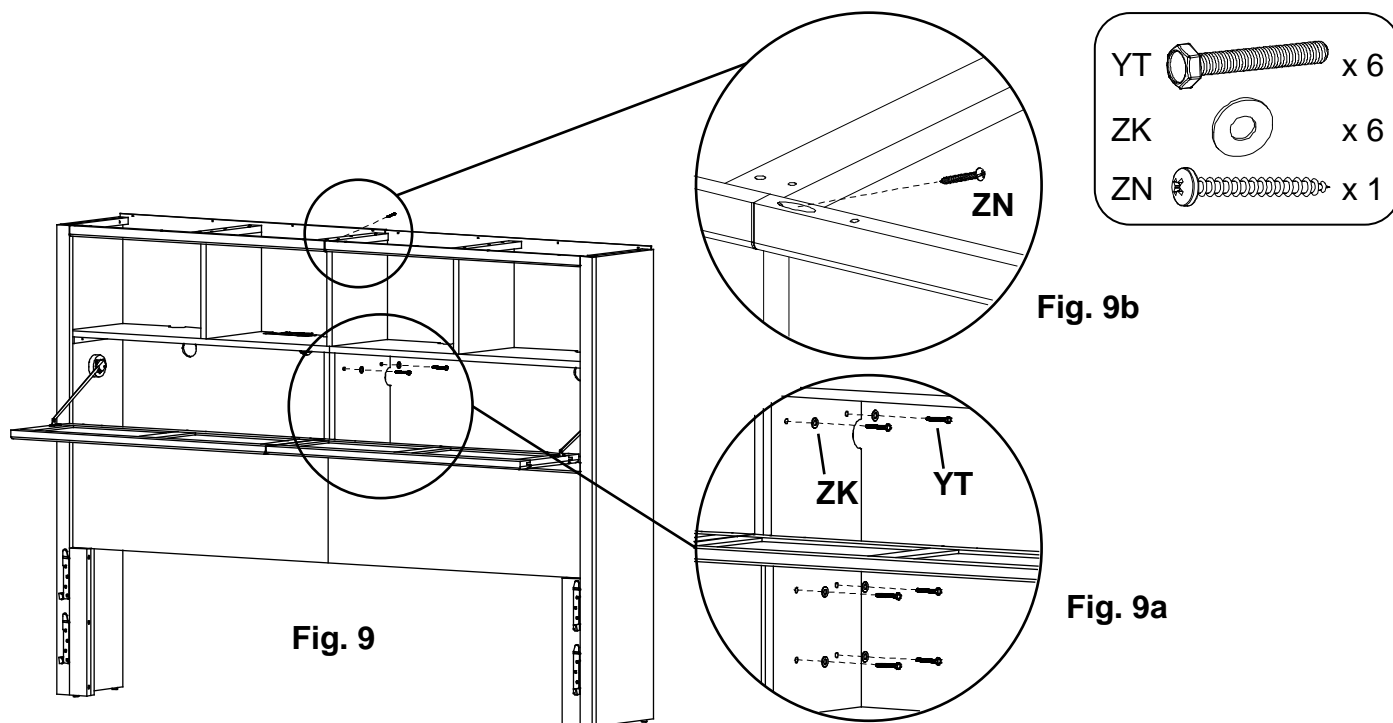
8. Figure 8 shows the locations of the screws that need to be removed. You can access these from the front of the unit. Remove the #8 x 1-3/8" Lo-Profile Screws (YJ) attaching the Sides and Vertical Dividers to the Top, and #8 x 1-1/4" Pan Head Screws attaching the Front Apron to the Top. Carefully remove the Top Assembly (XA) from the Case. See Figures 8 and 8a.



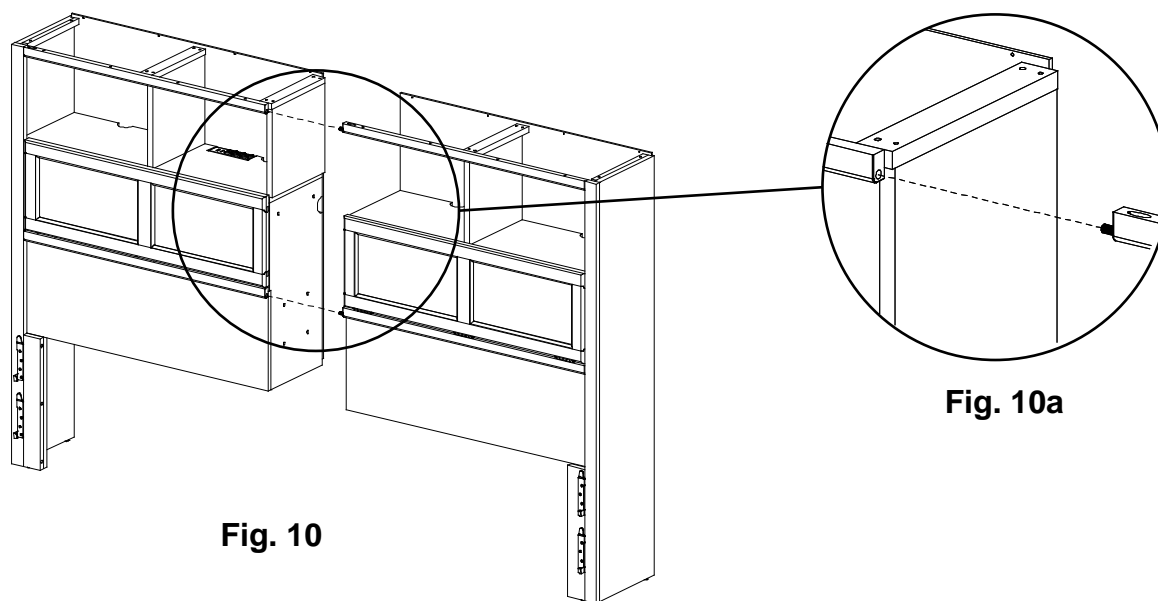
# 1382GACg 1382CAFg McKenzie Cal-King Bookcase Headboard

## Assembly Instructions

9. Remove the #8 x 1-1/4" Pan Head Screw (ZN) connecting the Top Aprons. Open the Doors and remove the 1/4" x 1-1/2" Hex Bolts (YT) and 18mm Washers (ZK) See Figures 9, 9a and 9b.



10. Carefully separate the two halves of the Case Assembly. See Figures 10 and 10a.



11. After moving the headboard sections into your room reassemble the Headboard by reversing these steps.