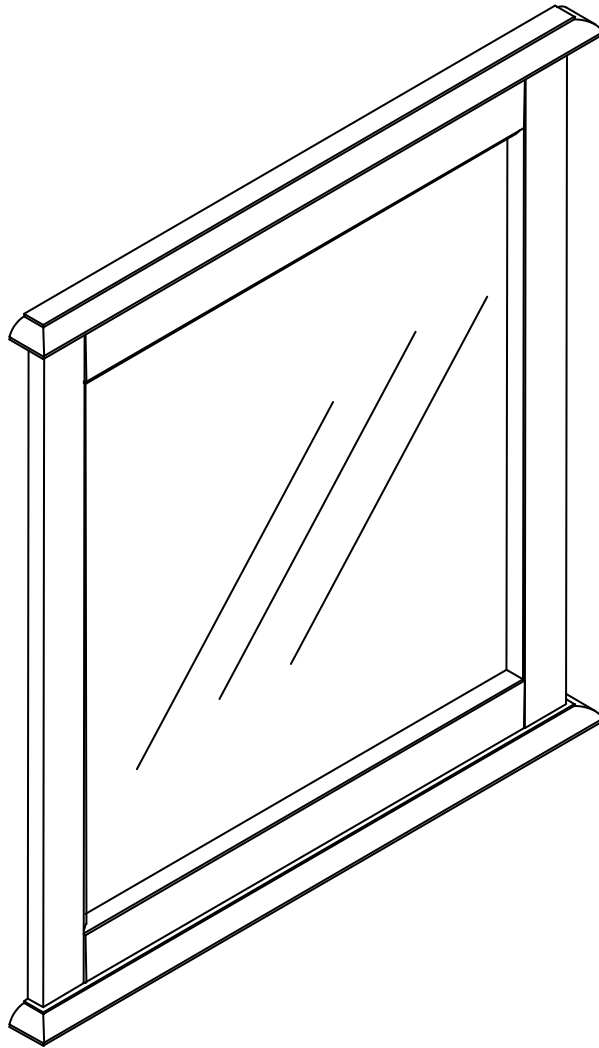


# ASSEMBLY INSTRUCTIONS

---



---

Description	: COTTAGE MIRROR 29.5 X 32
Item No.	: BD-2050

ITEM NO.: BD-2050  
REVISED SEP 20, 2016

Printed in Vietnam

## BEFORE ASSEMBLY

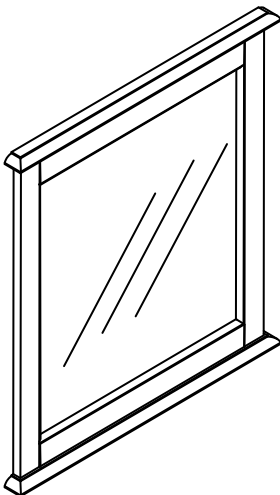
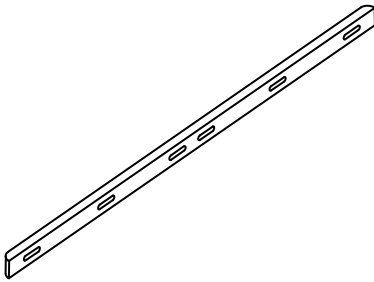
Thank you for purchasing this quality product. This product has been designed for easy assembly and constructed for durability. All parts were checked prior to packaging to insure quality. Prior to beginning assembly, however, make sure all parts and hardware are included and free of obvious defect. If a part is missing or defective, please contact the store where purchased. If hardware is missing, or you need help with assembly, please call toll free 888-944-8396.

### IMPORTANT NOTE:

- Place all wooden parts on a clean and smooth surface such as a rug or carpet to avoid the parts from being scratched.
- Remove all wrapping material, including staples & packing straps before you start to assemble.
- DO NOT tighten all screws and bolts until completely assembled.
- Keep all hardware parts out of reach of children.




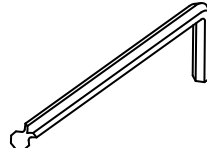
## PART LIST

When unpacking, please be careful not to discard any parts with the packaging. Before continuing, please make sure you have the following parts:

NO	Description	Qty	Sketch
<b>A</b>	Mirror	1	
<b>B</b>	Crossbars	2	

## HARDWARE LIST

When unpacking, please be careful not to discard any parts with the packaging. Before continuing, please make sure you have all of the following hardware:

NO	Description	Qty	Sketch	NO	Description	Qty	Sketch
1	Bolt (M6 x 35mm)	12		3	Flat washer (Φ6.5 x Φ19mm)	12	
2	Spring washer (Φ6.5 x Φ11mm)	12		4	Allen key (M4 x 30 x 120mm)	1	

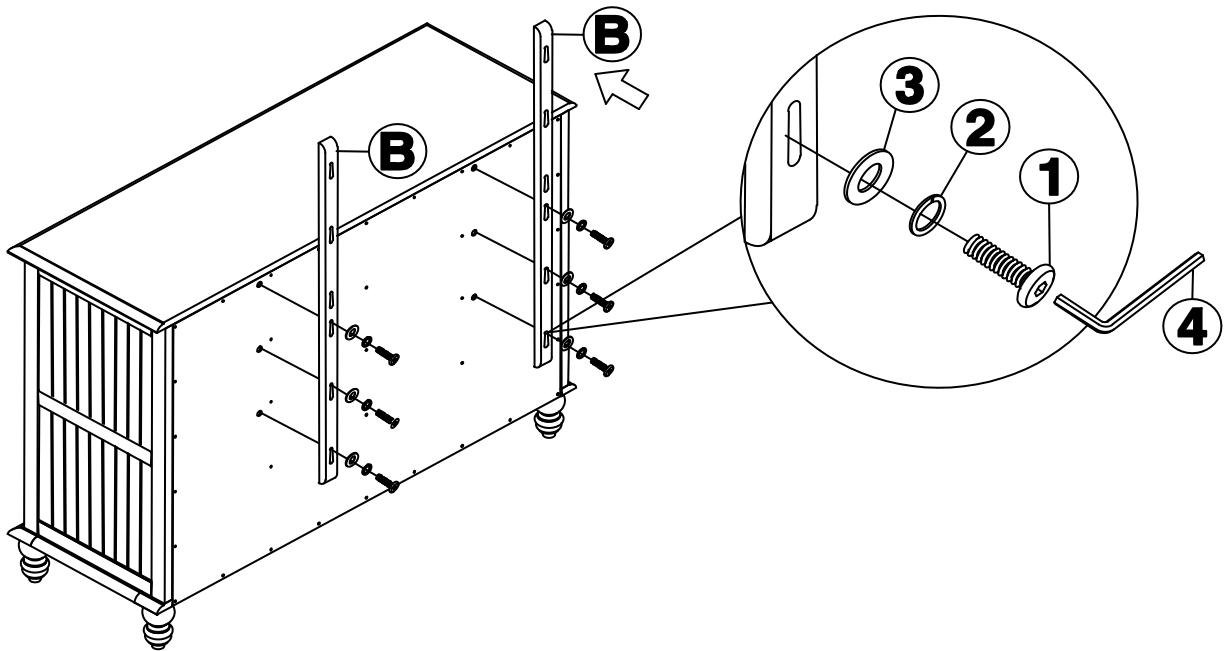
ITEM NO.: BD-2050  
REVISED SEP 20, 2016

Printed in Vietnam

## STEP 1

### MIRROR WITHOUT BASE

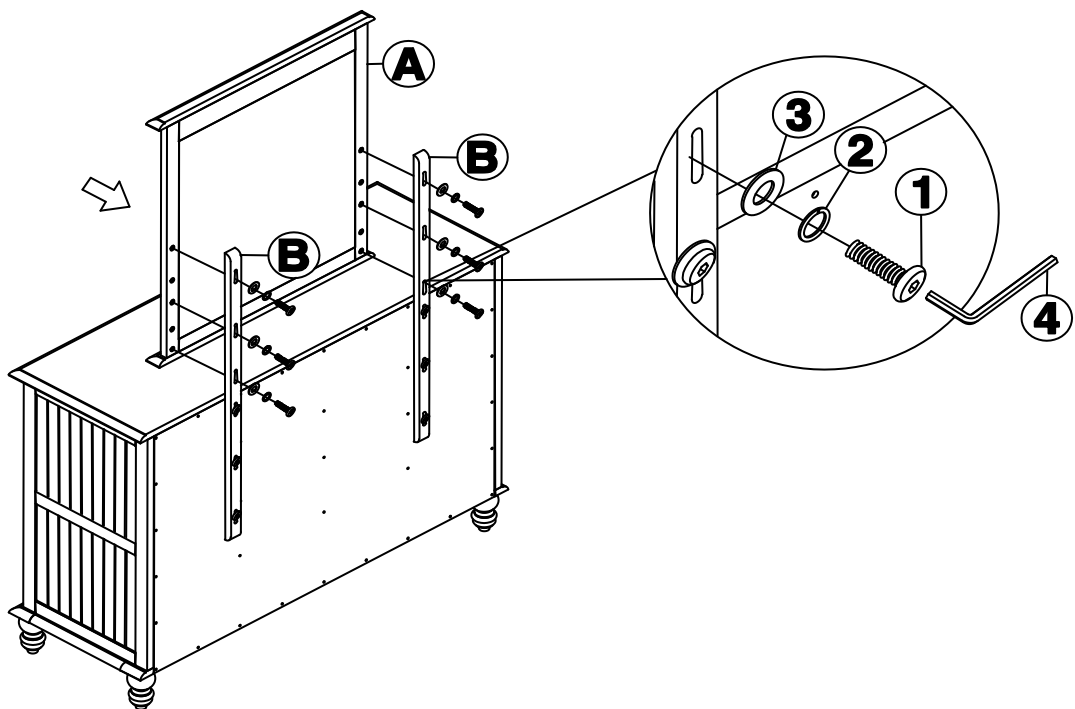
Attach crossbars (B) to the dresser with bolt (1), and washers (2) and (3) as shown below. Tighten with Allen key (4).



## STEP 2

### MIRROR WITHOUT BASE

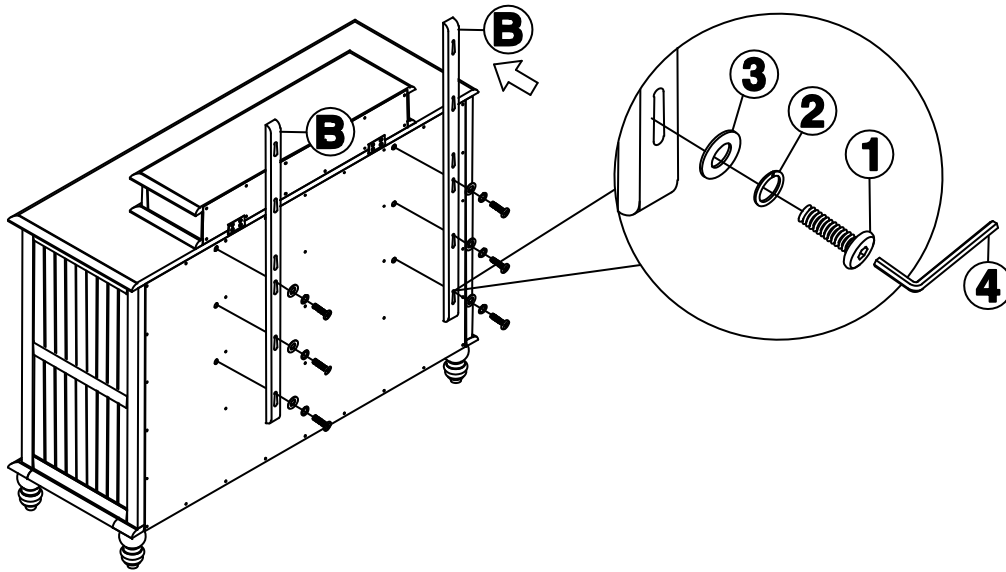
Place mirror (A) on top of the dresser and attach it to crossbars (B) with bolts (1), and washers (2) and (3) as shown below. Tighten with Allen key (4).



## STEP 3

### MIRROR WITH BASE

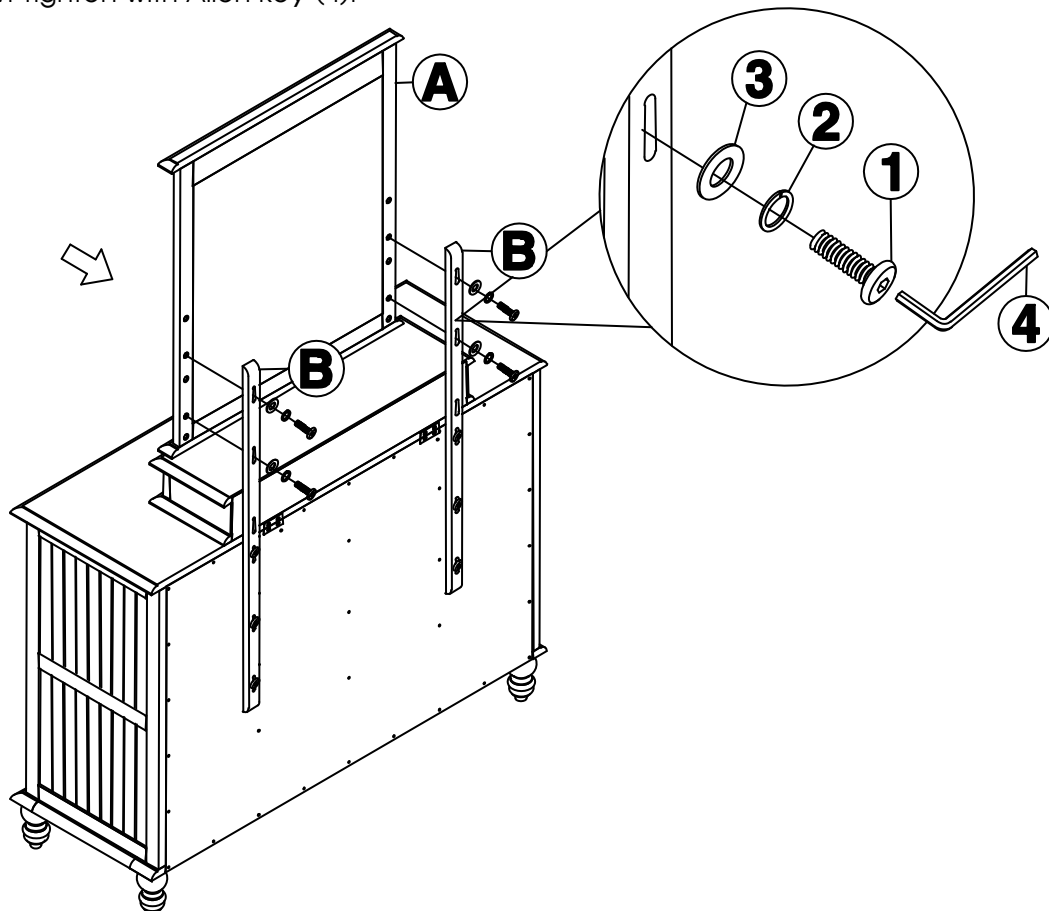
Attach crossbars (B) to the dresser with bolt (1), and washers (2) and (3) as shown below. Tighten with Allen key (4).



## STEP 4

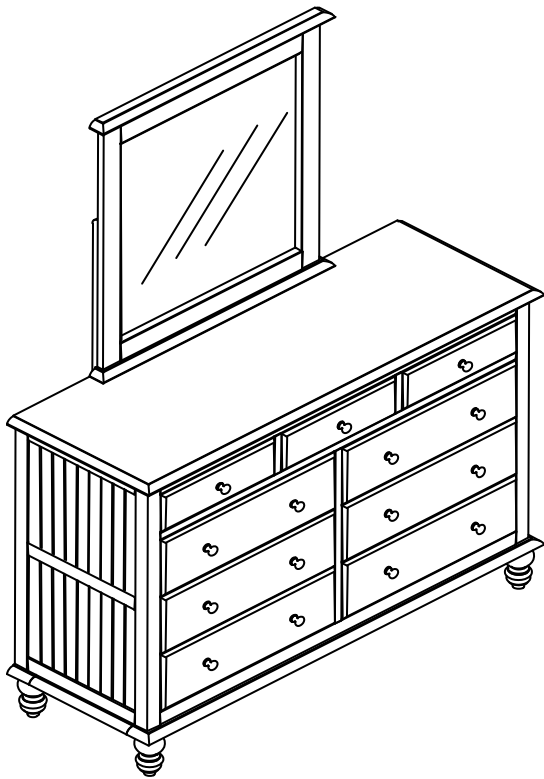
### MIRROR WITH BASE

Place mirror (A) on top of the base and attach it to crossbars (B) with bolts (1), and washers (2) and (3) as shown below. Tighten with Allen key (4).

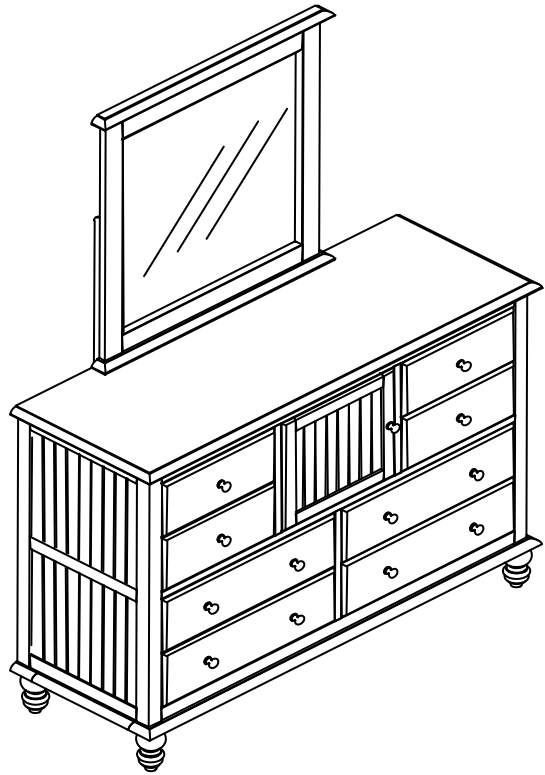


# STEP 5

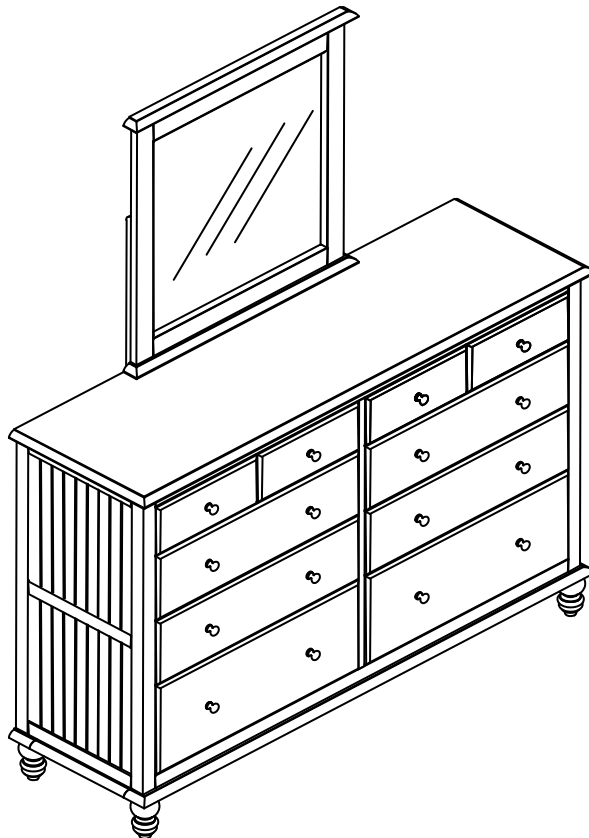
FINISH  
MIRROR WITHOUT BASE



BD-2050 AND BD-2019



BD-2050 AND BD-2038

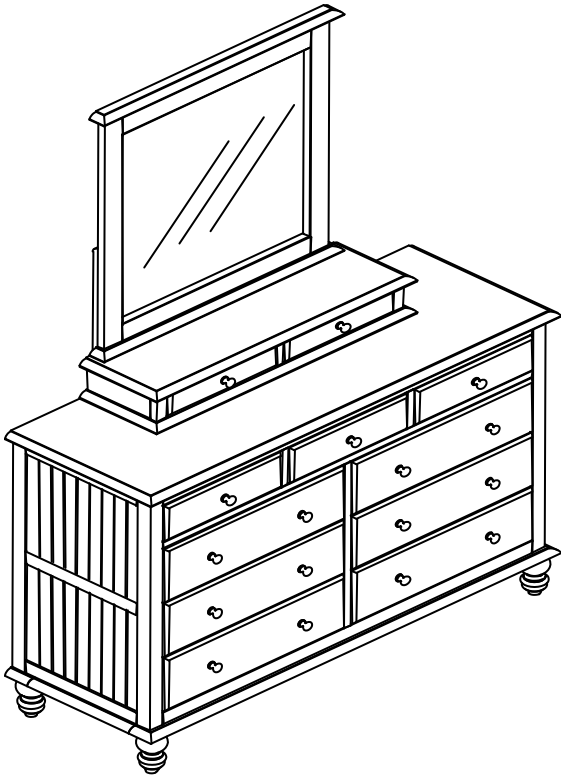


BD-2050 AND BD-2010

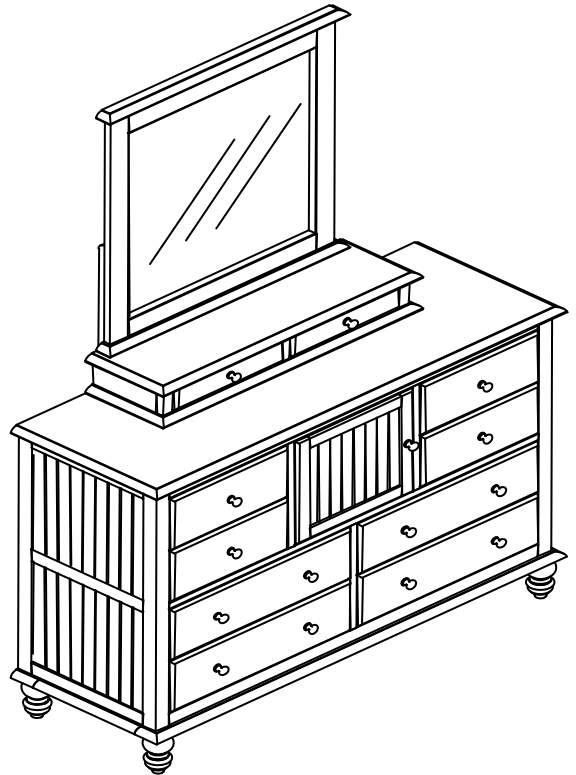
ITEM NO.: BD-2050  
REVISED SEP 20, 2016

Printed in Vietnam

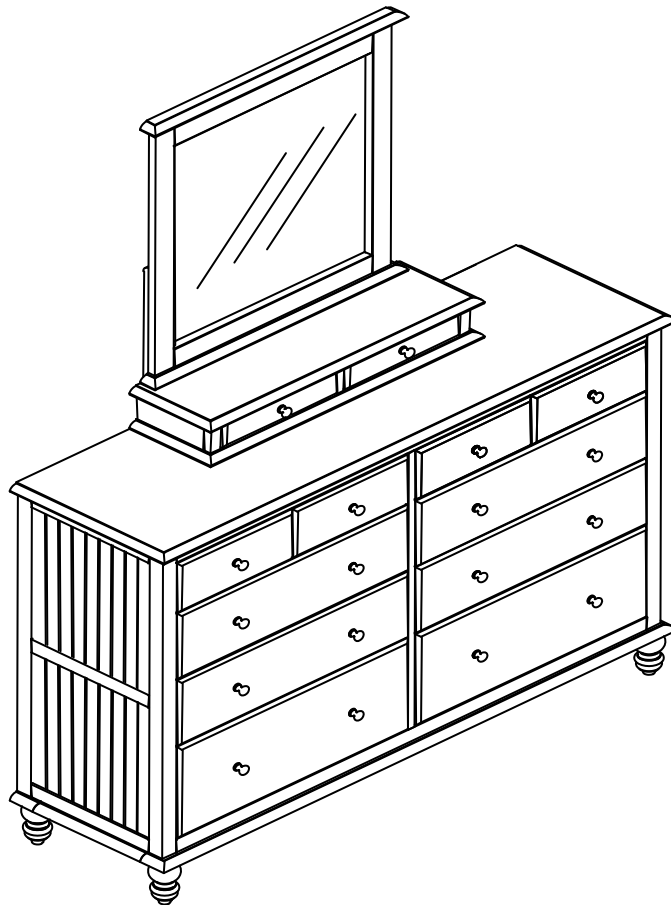
**MIRROR WITH BASE**



**BD-2050 AND BD-2051 AND BD-2019**



**BD-2050 AND BD-2051 AND BD-2038**



**BD-2050 AND BD-2051 AND BD-2010**