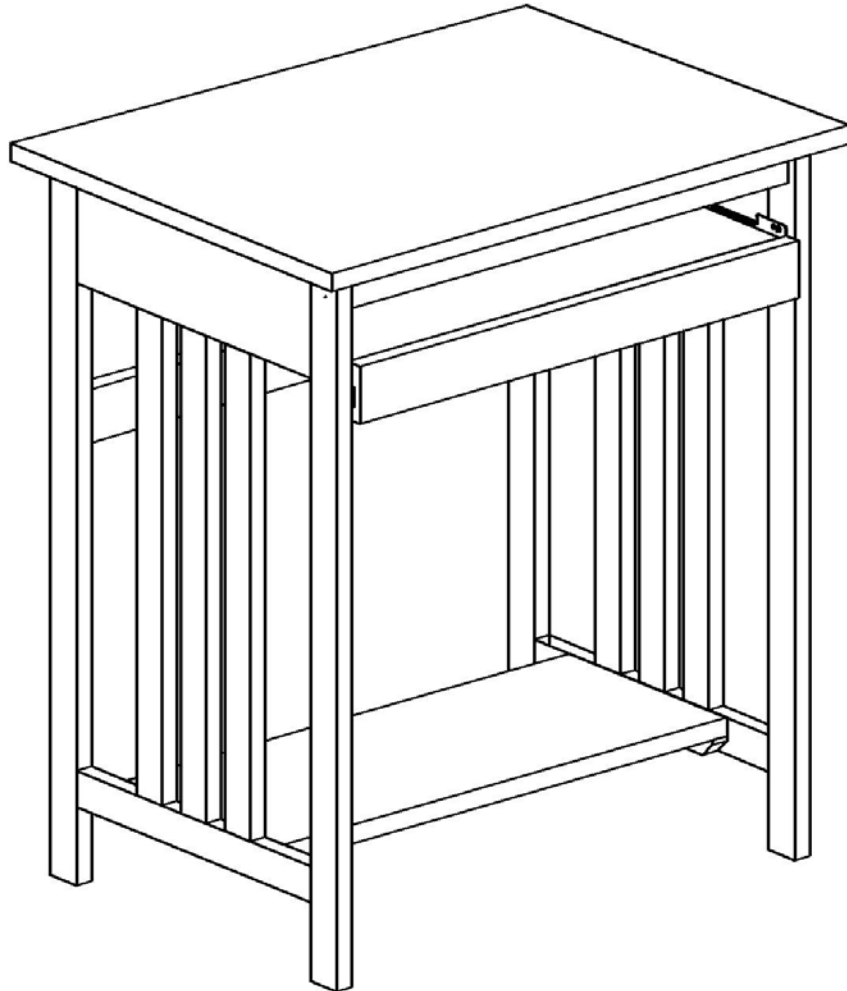


ASSEMBLY INSTRUCTIONS



Description : MISSION COMPUTER STAND
Item No. : 273

ITEM NO : 273
REVISED APR 17, 2015

Printed in Vietnam

BEFORE ASSEMBLY

Thank you for purchasing this quality product. This product has been designed for easy assembly and constructed for durability. All parts were checked prior to packaging to insure quality. Prior to beginning assembly, however, make sure all parts and hardware are included and free of obvious defect. If a part is missing or defective, please contact the store where purchased. If hardware is missing, or you need help with assembly, please call toll free 888-944-8396.

IMPORTANT NOTE:

- Place all wooden parts on a clean and smooth surface such as a rug or carpet to avoid the parts from being scratched.
- Remove all wrapping material, including staples & packing straps before you start to assemble.
- DO NOT tighten all screws and bolts until completely assembled.
- Keep all hardware parts out of reach of children.

WARNING:

Long exposure to rubber or soft plastic may cause a chemical reaction and damage the finish of your table. Protect the surface of the table with cloth if you are using any product with rubber feet or base.

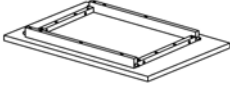
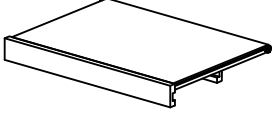
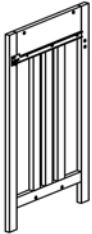
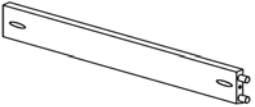
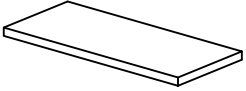

ASSEMBLY TOOLS REQUIRED

NOT INCLUDED



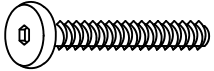



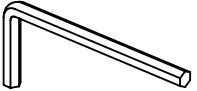
PART LIST

When unpacking, please be careful not to discard any parts with the packaging. Before continuing, please make sure you have the following parts:

NO	Description	Qty	Sketch	NO	Description	Qty	Sketch
A	Top	1		D	Keyboard tray	1	
B	Side frame (L-R)	2		E	Center rail	1	
				F	Slide in panel	1	
C	Bottom shelf	1					

HARDWARE LIST

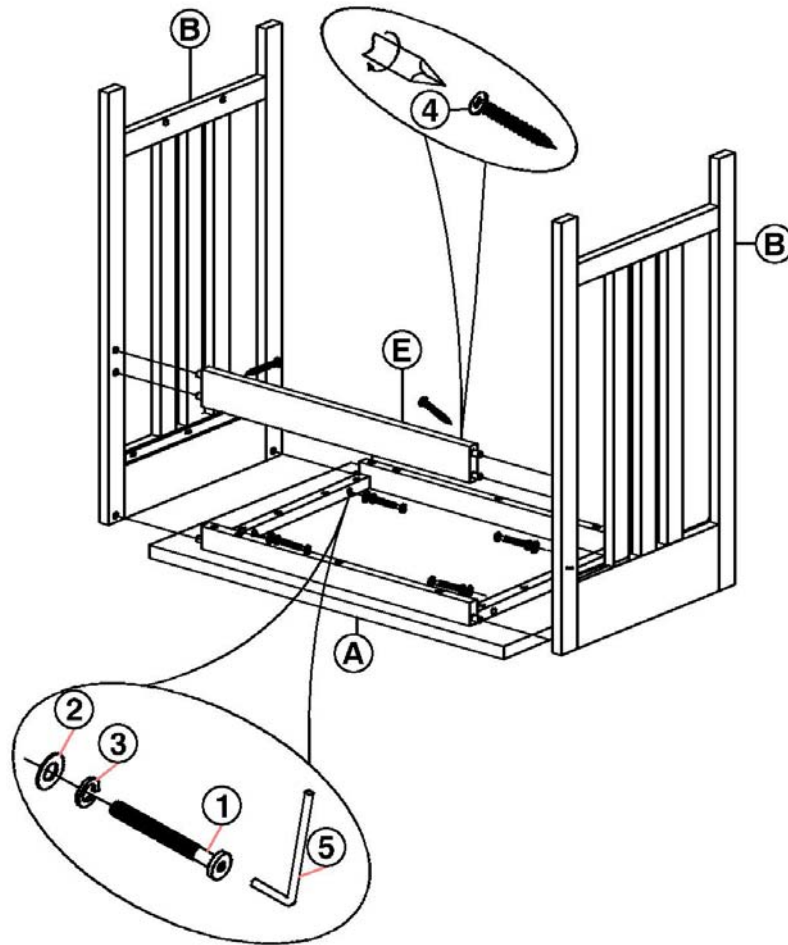
When unpacking, please be careful not to discard any parts with the packaging. Before continuing, please make sure you have all of the following hardware:

NO	Description	Qty	Sketch	NO	Description	Qty	Sketch
1	Long bolt ($\Phi 6 \times 35 \text{mm}$)	8		2	Flat washer ($\Phi 6.5 \times \Phi 16 \text{mm}$)	8	
3	Spring washer ($\Phi 6.5 \times \Phi 11 \text{mm}$)	8		4	Wood screw (M4x35mm)	2	
5	Allen key (M4x80mm)	1					

STEP 1

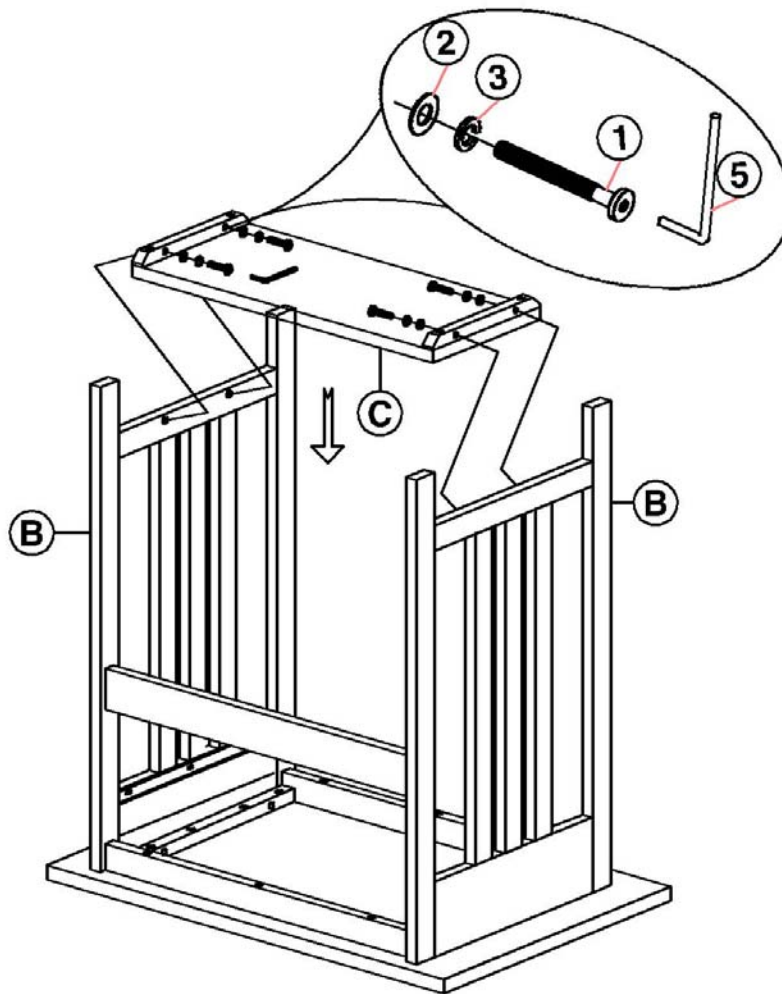
Attach center rails (E) and side frames (B) with the screws (4) as shown below. Tighten with a Screwdriver.

Attach the top (A) to the side frames (B) with the bolts (1), and washers (2) and (3) as shown below. Tighten with Allen key (5).



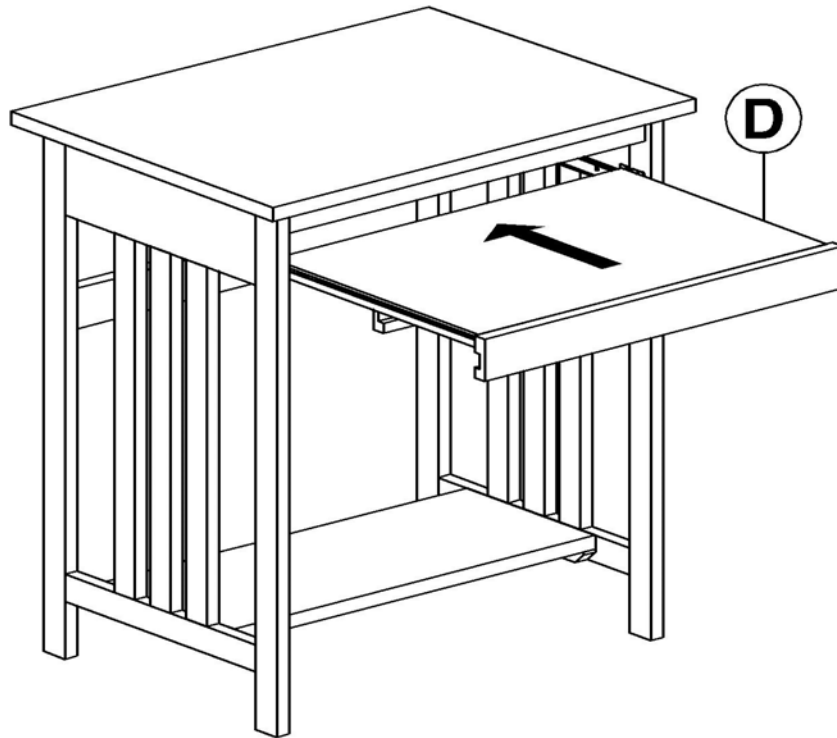
STEP 2

Attach the bottom shelf (C) with bolts (1), and washers (2) and (3) as shown below. Tighten with the Allen key (5).



STEP 3

Insert the keyboard tray (D) into the unit as shown below.



STEP 4

Slide panel (F) into the grooves underneath the keyboard tray (D) as shown below.

