

ASSEMBLY INSTRUCTIONS



Description : BOMBAY CHEST 2 DRAWER
Item No. : BD - 1002

ITEM NO : BD - 1002
ISSUED NOV 18, 2014

Printed in Vietnam

BEFORE ASSEMBLY

Thank you for purchasing this quality product. This product has been designed for easy assembly and constructed for durability. All parts were checked prior to packaging to insure quality. Prior to beginning assembly, however, make sure all parts and hardware are included and free of obvious defect. If a part is missing or defective, please contact the store where purchased. If hardware is missing, or you need help with assembly, please call toll free 888-944-8396.

IMPORTANT NOTE:

- Place all wooden parts on a clean and smooth surface such as a rug or carpet to avoid the parts from being scratched.
- Remove all wrapping material, including staples & packing straps before you start to assemble.
- DO NOT tighten all screws and bolts until completely assembled.
- Keep all hardware parts out of reach of children.

WARNING:

Long exposure to rubber or soft plastic may cause a chemical reaction and damage the finish of your product. Protect the surface of the product with cloth if you are using any product with rubber feet or base.

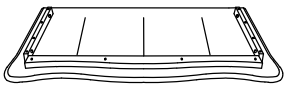
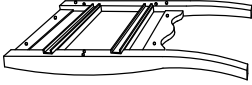
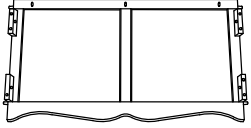
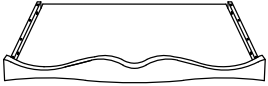

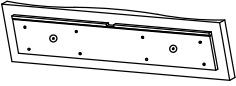




ASSEMBLY TOOLS REQUIRED

NOT INCLUDED






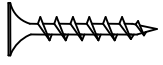

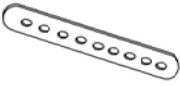
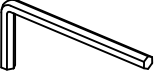
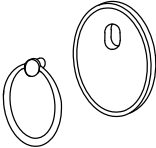

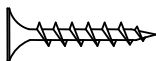
PART LIST

When unpacking, please be careful not to discard any parts with the packaging. Before continuing, please make sure you have the following parts.

NO	Description	Qty	Sketch	NO	Description	Qty	Sketch
A	Top	1		B	Side panel (L - R)	2	
C	Back panel	1		D	Bottom panel	1	
E	Rail	1		F	Front drawer	2	
G	Drawer back	2		H	Drawer side (L - R)	4	
I	Support bar	2		J	Drawer bottom	2	

HARDWARE LIST

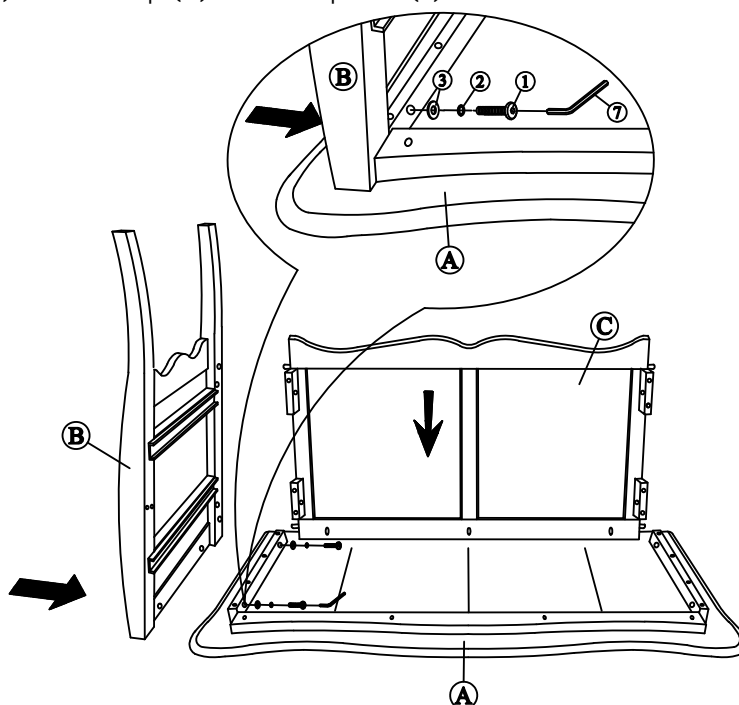
When unpacking, please be careful not to discard any parts with the packaging. Before continuing, please make sure you have all of the following hardware:

NO	Description	Qty	Sketch	NO	Description	Qty	Sketch
1	Bolt (M6x35mm)	12		2	Lock Washer (Φ6.5 x 11mm)	12	
3	Flat Washer (Φ6.5 x 16mm)	12		4	Screw (M4 x 35mm)	6	
5	Screw (M3.5 x 15mm)	2		6	Steel band	1	
7	Allen key (K4x80mm)	1		8	Knob	4	
9	Pan head screw (M4 x 20 mm)	4		10	Screw (M4 x 30mm)	28	

STEP 1

Attach the Top (A) to the side panel (B) with bolts (1) and washers (2) and (3) as shown below. Tighten with Allen key (7).

Insert Back panel (C) into the Top (A) and side panel (B) as shown below.



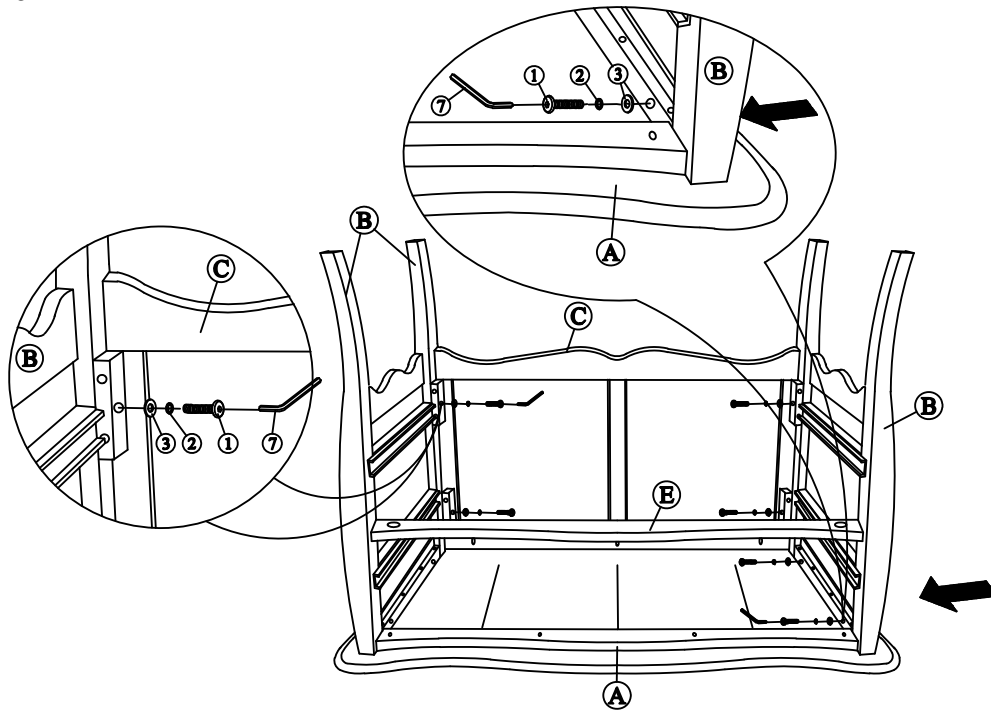
ITEM NO : BD - 1002
ISSUED NOV 18, 2014

Printed in Vietnam

STEP 2

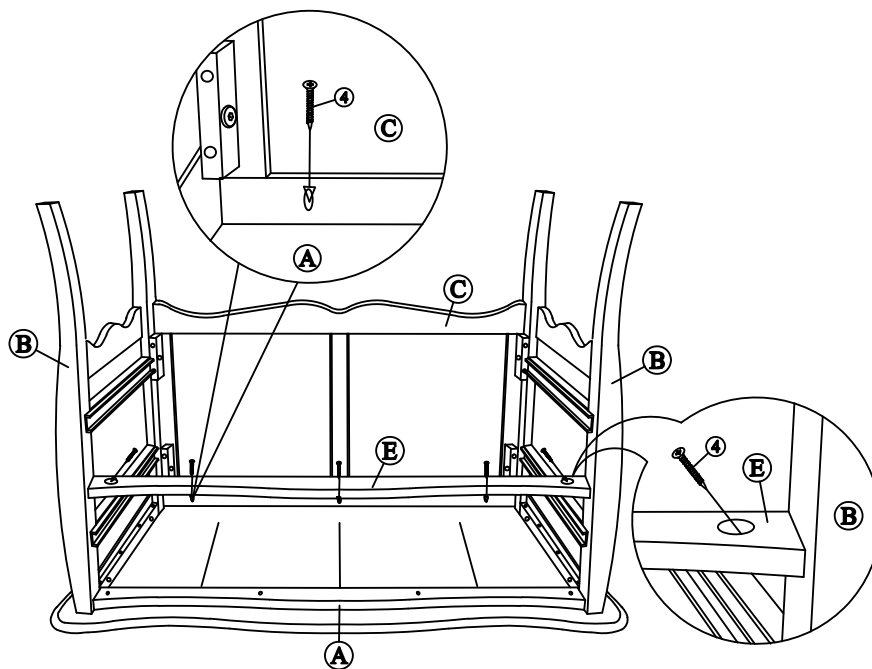
Insert Rail (E) into the side panel (B) as shown below.

Attach side panel (B) to the top (A) and back panel (C) with bolts (1), washers (2) and (3) as shown below. Tighten with Allen key (7).



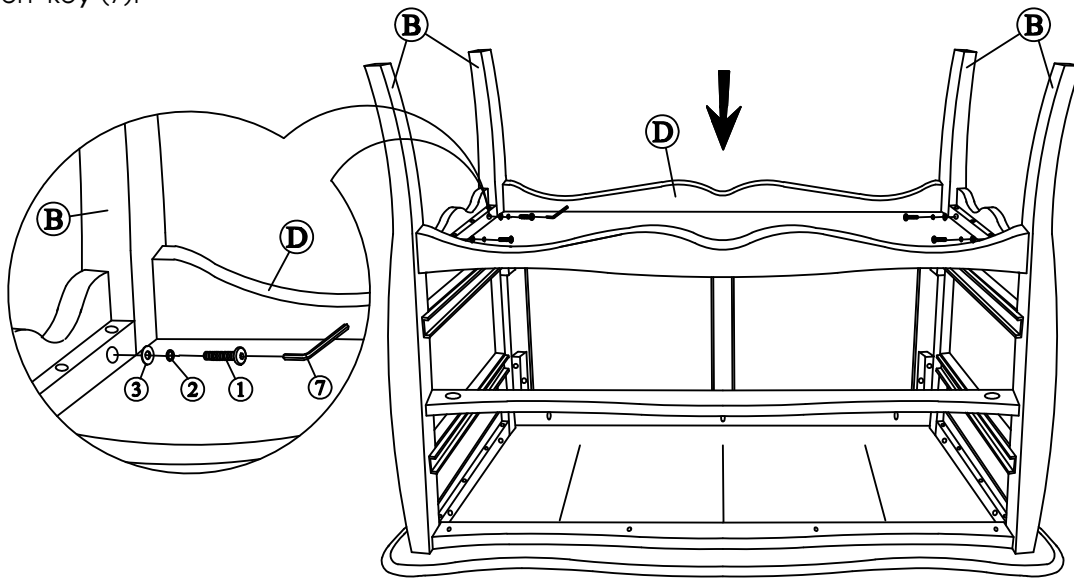
STEP 3

Attach back panel (C) and rail (E) to top (A) and side panel (B) with screws (4) as shown below. Tighten with the screwdriver.



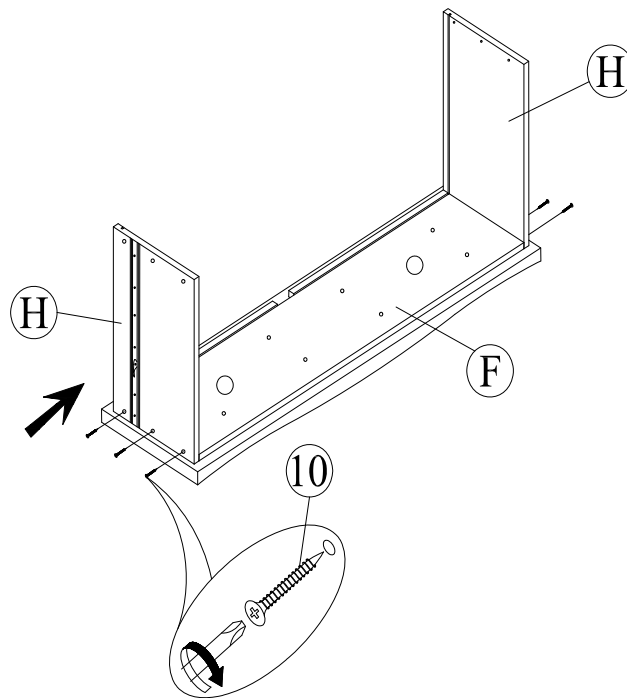
STEP 4

Attach bottom panel (D) to side panel (B) with bolts (1), washers (2) and (3) as shown below. Tighten with Allen key (7).



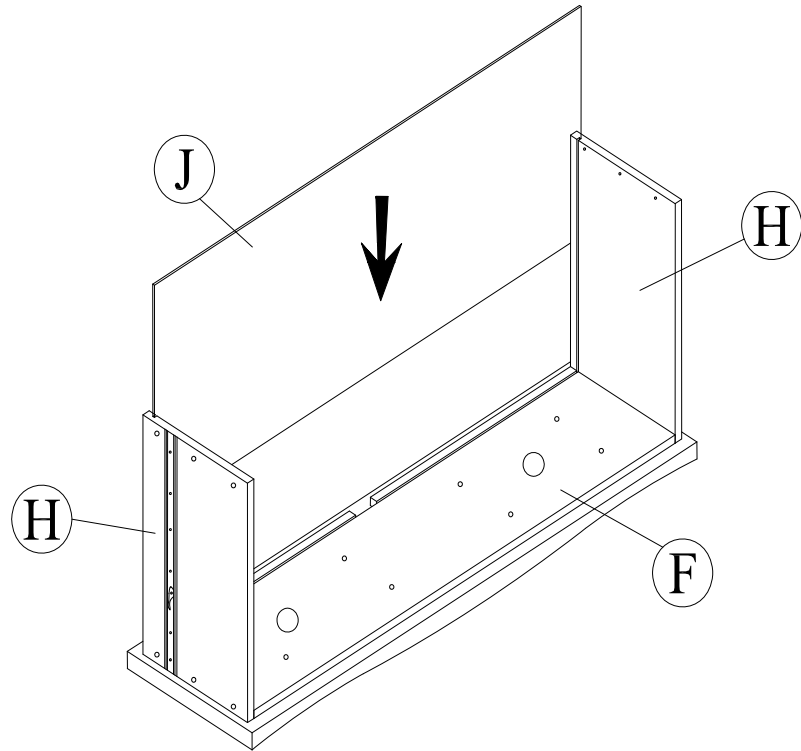
STEP 5

Attach drawer sides (H) to the drawer front (F) with screws (10) as shown below. Tighten with a screwdriver.



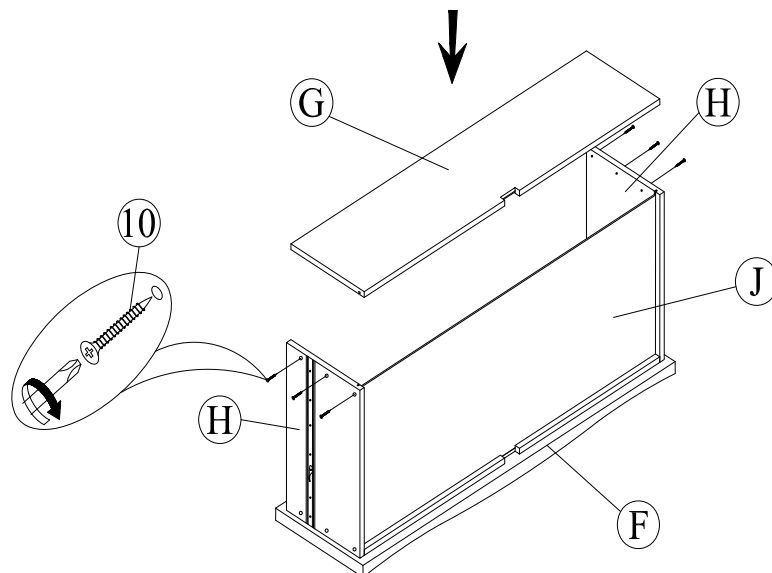
STEP 6

Slide the drawer bottom panel (J) into the grooves as shown below.



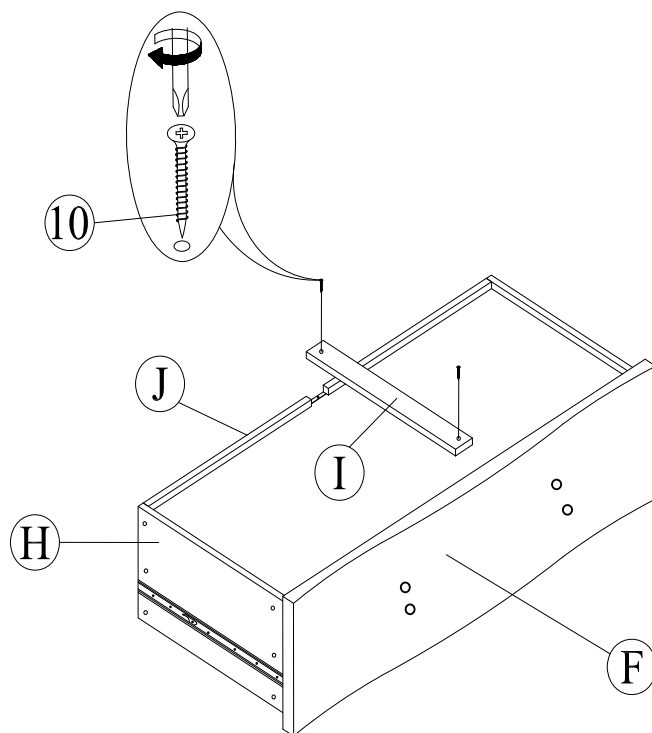
STEP 7

Attach the drawer back panel (G) to the unit (from step 6) with screws (10) as shown below. Tighten with a screwdriver.



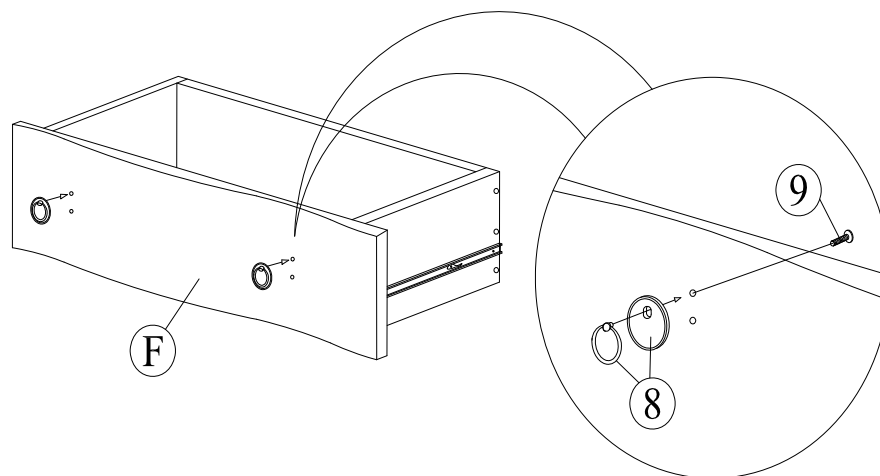
STEP 8

Attach the drawer support bar (I) underneath the drawer with screws (10) as shown below. Tighten with a screwdriver.



STEP 9

Attach the knobs (8) to the drawer front with pan head screws (9) as shown below. Tighten with a screwdriver.



STEP 10

Insert the drawer into the unit

Attach steel bands (6) to the unit with screws (5). Then attach the steel band to a wall with screw (4) as shown below (to secure the product and prevent tipping). Tighten with a screwdriver.

