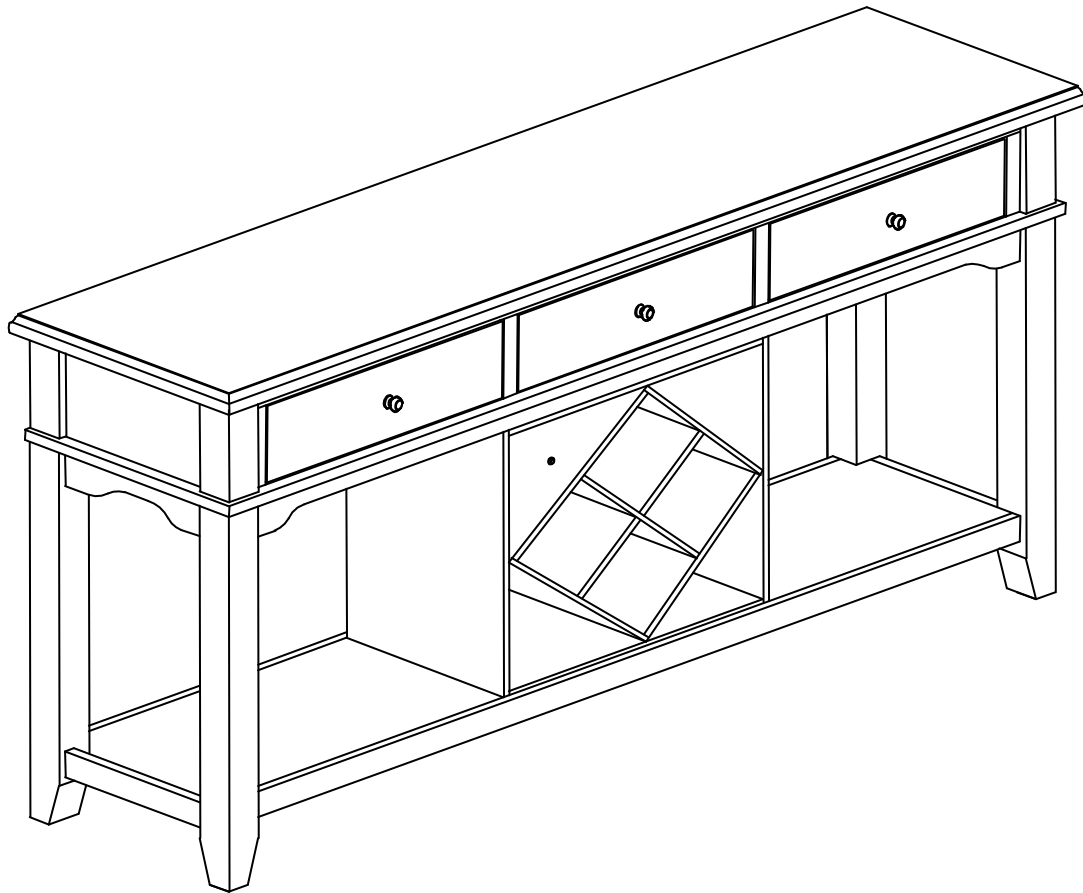


ASSEMBLY INSTRUCTIONS



Description : CANYON SERVER
Item No. : SV - 37

ITEM NO. : SV-37
REVISED JUL 20, 2016

Printed in Vietnam

BEFORE ASSEMBLY

Thank you for purchasing this quality product. This product has been designed for easy assembly and constructed for durability. All parts were checked prior to packaging to insure quality. Prior to beginning assembly, however, make sure all parts and hardware are included and free of obvious defect. If a part is missing or defective, please contact the store where purchased. If hardware is missing, or you need help with assembly, please call toll free 888-944-8396.

IMPORTANT NOTE:

- Place all wooden parts on a clean and smooth surface such as a rug or carpet to avoid the parts from being scratched.
- Remove all wrapping material, including staples & packing straps before you start to assemble.
- DO NOT tighten all screws, bolts until completely assembled.
- Keep all hardware parts out of reach of children.

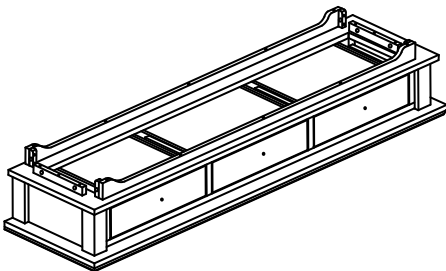
WARNING:

Long exposure to rubber or soft plastic may cause a chemical reaction and damage the finish of your product. Protect the surface of the product with cloth if you are using any product with rubber feet or base.



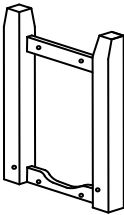
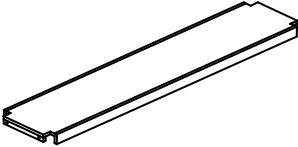
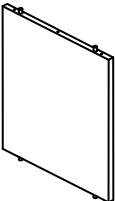
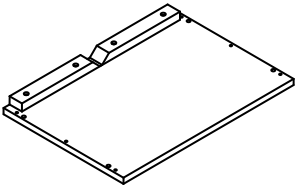
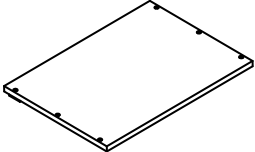
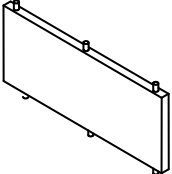
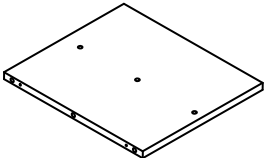
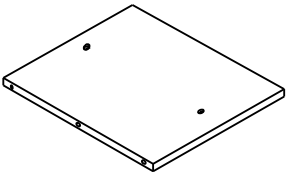
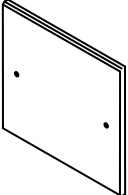
PART LIST SV – 37A

When unpacking, please be careful not to discard any parts with the packaging. Before continuing, please make sure you have the following parts.

NO	Description	Qty	Sketch
A	Top	1	

PART LIST SV – 37B

When unpacking, please be careful not to discard any parts with the packaging. Before continuing, please make sure you have the following parts.




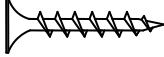

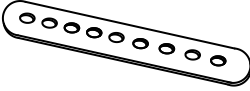
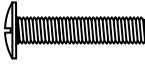
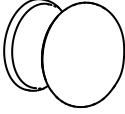
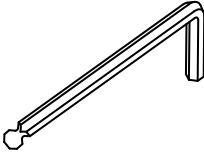
NO	Description	Qty	Sketch	NO	Description	Qty	Sketch
B	Side panel	2		C	Bottom panel	1	
D	Side panel wine rack	2		E	Top panel wine rack	1	
F	Bottom panel wine rack	1		G	1 - Center panel wine rack	2	
H	2 - Center panel wine rack	1		K	3 - Center panel wine rack	2	
L	4 - Center panel wine rack	2					

ITEM NO. : SV-37
REVISED JUL 20, 2016

Printed in Vietnam

HARDWARE LIST

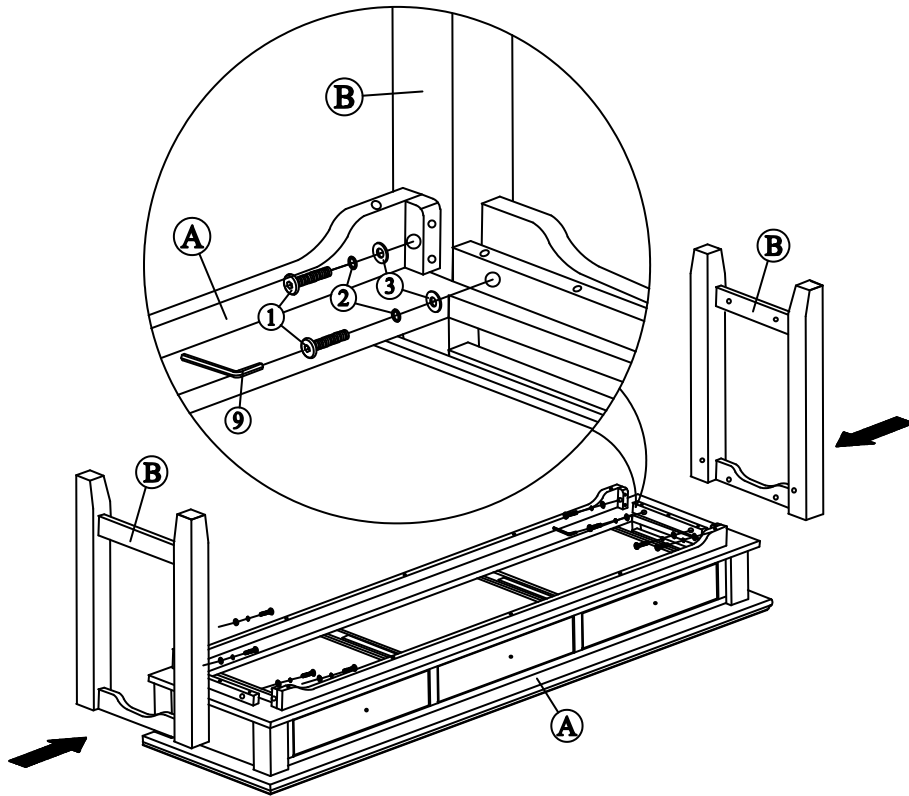
When unpacking, please be careful not to discard any parts with the packaging. Before continuing, please make sure you have all of the following hardware:

NO	Description	Qty	Sketch	NO	Description	Qty	Sketch
1	Bolt (M6 x 35mm)	12		2	Lock washer (Φ6.5 x 11mm)	12	
3	Flat washer (Φ6.5 x 19mm)	12		4	Long screw (M4 x 30mm)	22	
5	Short screw (M3.5 x 15mm)	4		6	Steel band	2	
7	Pan head screw (M4 x 28 mm)	3		8	Wooden knob (φ35 x 30mm)	3	
9	Allen key (M4 x 30 x 120mm)	1					

NOTE: HARDWARE IS PACKED IN CARTON SV-37B.

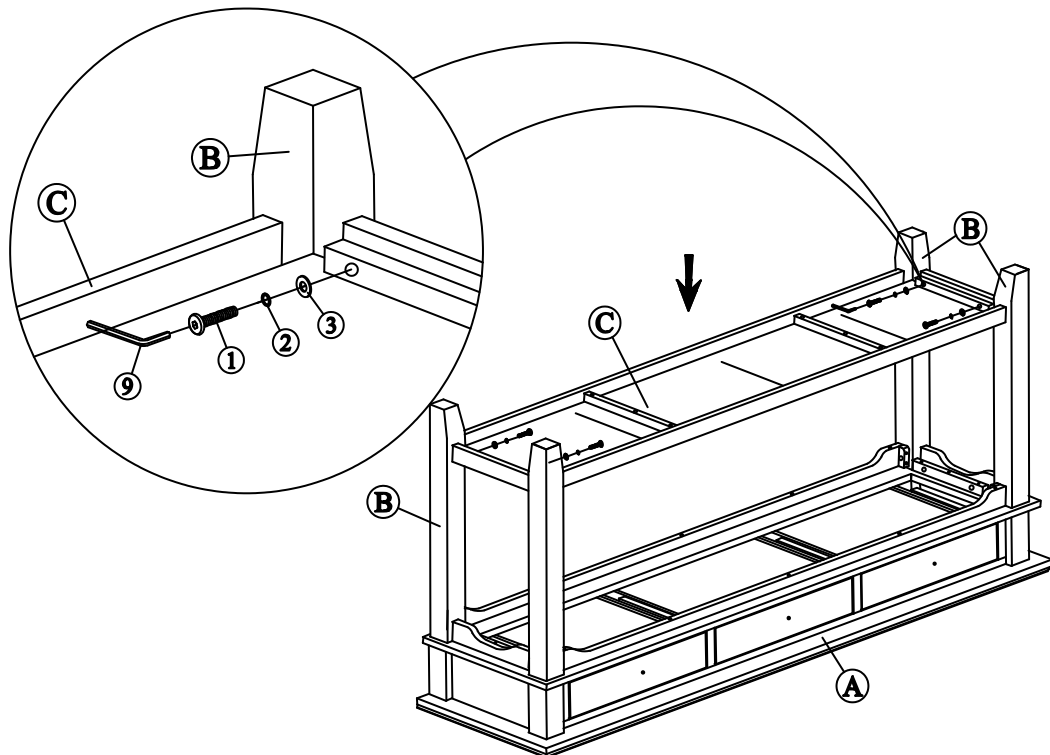
STEP 1

Attach side panels (B) to top (A) with bolts (1), and washers (2) and (3) as shown below. Tighten with Allen key (9).



STEP 2

Attach bottom panel (C) to side panels (B) with bolts (1), and washers (2) and (3) as shown below. Tighten with Allen key (9).



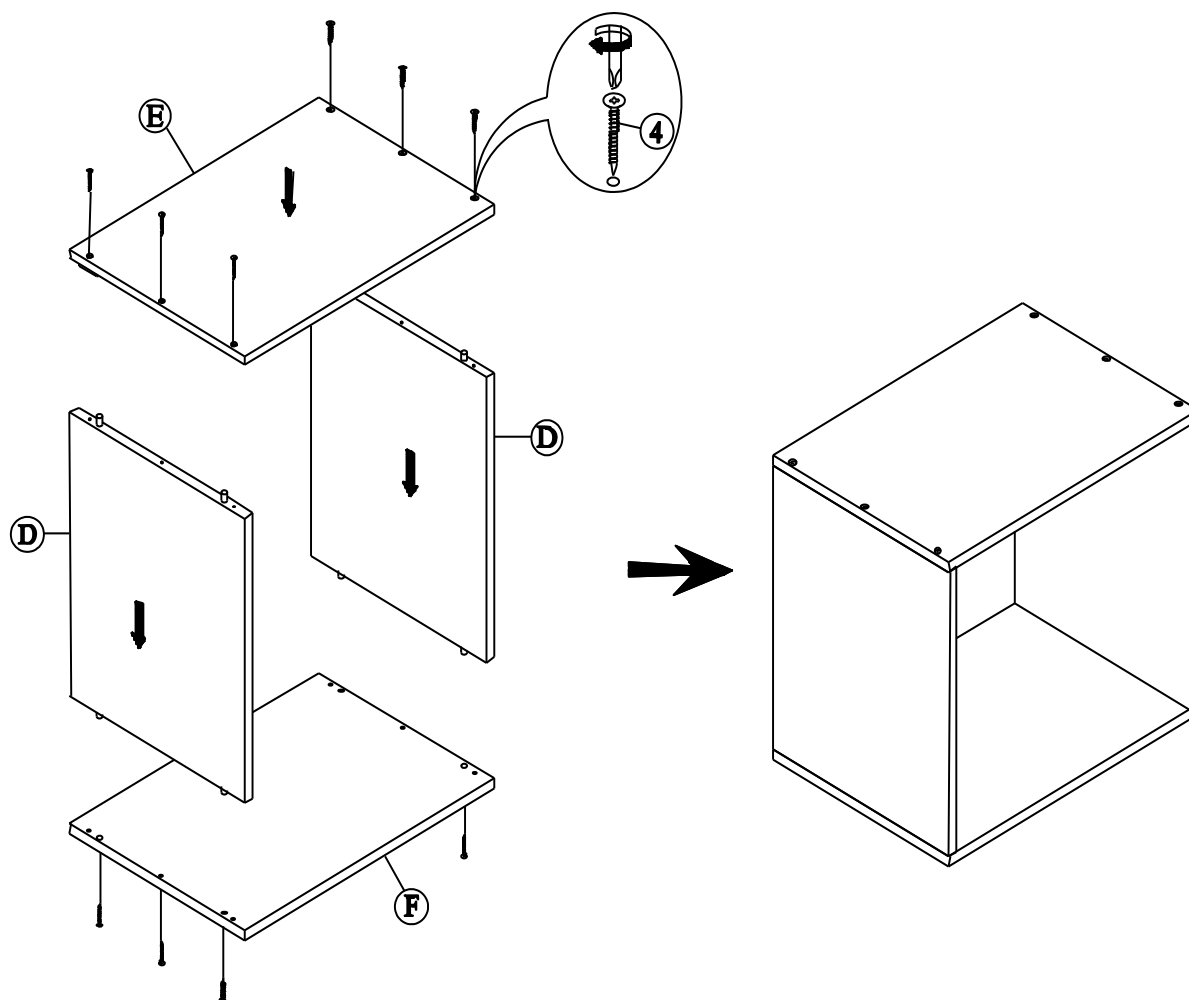
ITEM NO. : SV-37
REVISED JUL 20, 2016

Printed in Vietnam

STEP 3

WINE RACK ASSEMBLY.

Attach side panels (D) to the bottom panel (F) and top panel (E) with screws (4) as shown below. Tighten with a screwdriver.



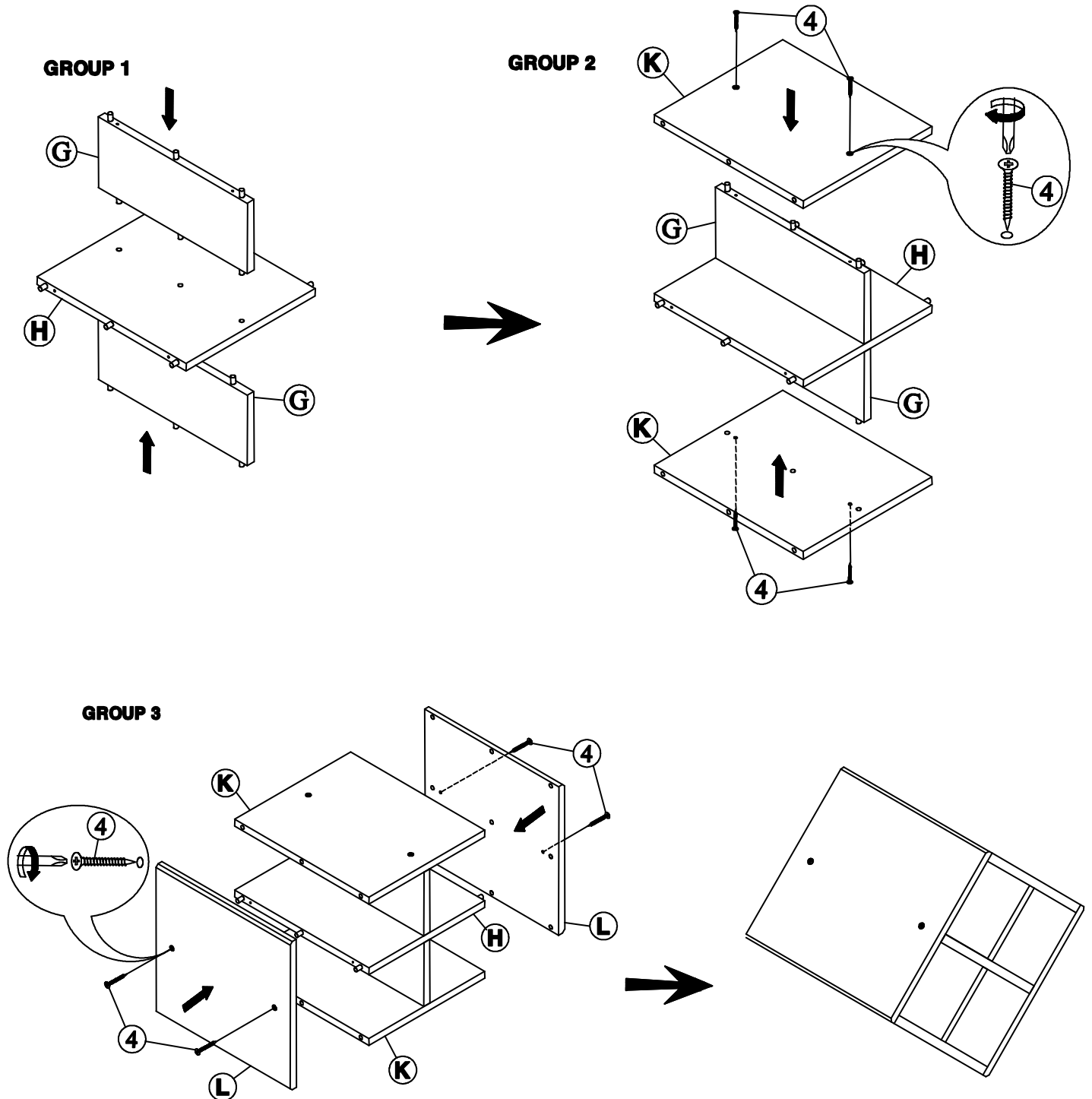
STEP 4

WINE RACK ASSEMBLY.

GROUP 1 : Insert center panels (G) into the center panel (H).

GROUP 2 : Attach panels (K) to the panels (G) with screws (4) as shown below. Tighten with a screwdriver.

GROUP 3 : Attach panels (L) to the group 2 with screws (4) as shown below. Tighten with a screwdriver.



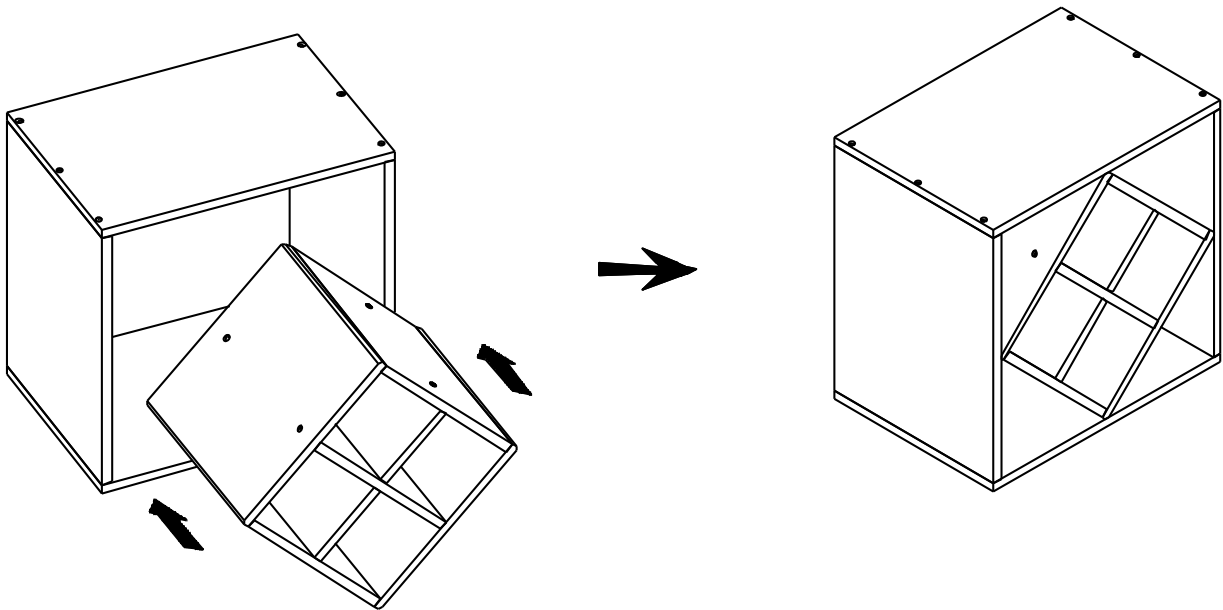
ITEM NO. : SV-37
REVISED JUL 20, 2016

Printed in Vietnam

STEP 5

WINE RACK ASSEMBLY.

Insert group 3 into the unit (from step 3) as shown below.

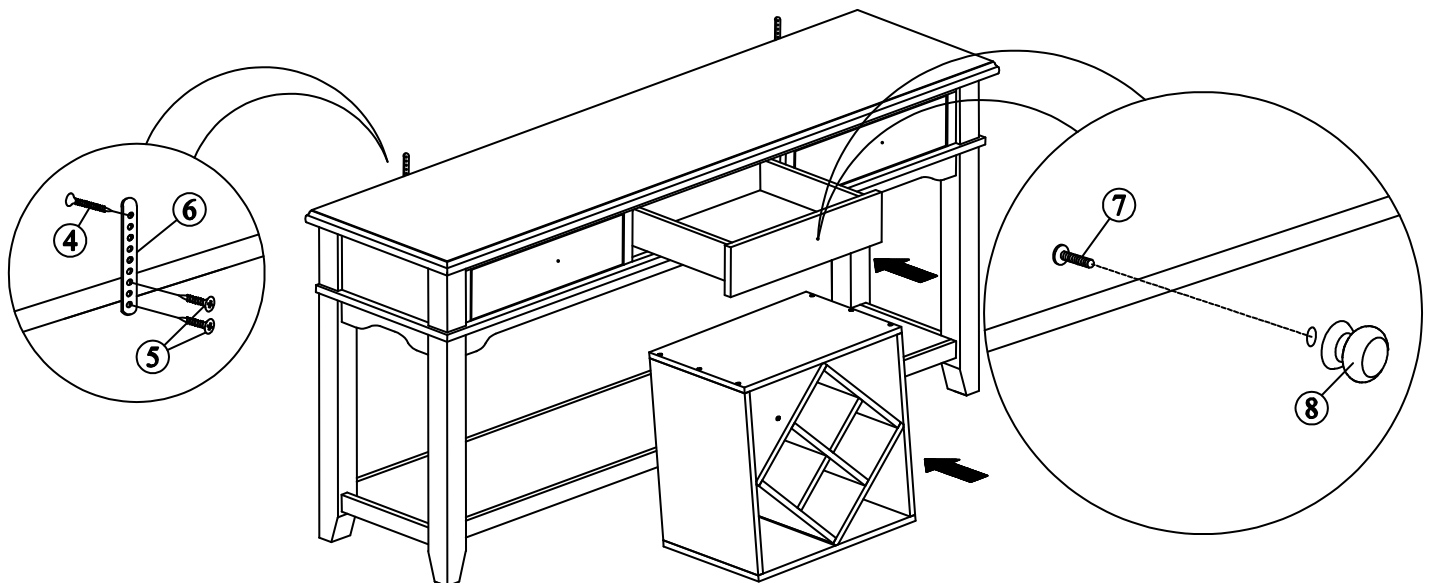


STEP 6

Attach knobs (8) to front of drawers with pan head screws (7). Tighten with a screwdriver.

Insert the wine rack into the unit as shown below.

Attach steel bands (6) to the unit with screws (5) and attach the steel bands to the wall with screws (4) as shown below (to secure the product and prevent tipping). Tighten with a screwdriver.



ITEM NO. : SV-37
REVISED JUL 20, 2016

Printed in Vietnam