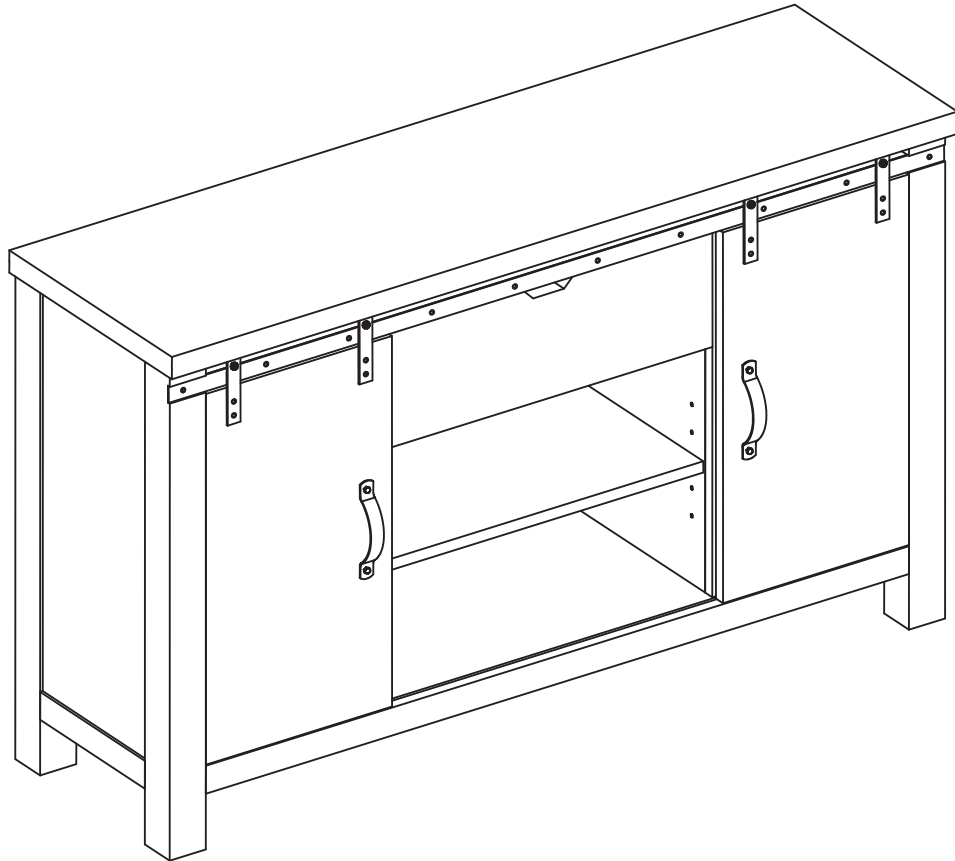


ASSEMBLY INSTRUCTIONS



Description : BARN DOOR SERVER
Item No. : SV-38A AND SV-38B

ITEM NO.: SV-38 AND SV-38B
ISSUED DEC 20, 2017

Printed in Vietnam
THIS ITEM IS PACKED IN TWO CARTONS

BEFORE ASSEMBLY

Thank you for purchasing this quality product. This product has been designed for easy assembly and constructed for durability. All parts were checked prior to packaging to insure quality. Prior to beginning assembly, however, make sure all parts and hardware are included and free of obvious defect. If a part is missing or defective, please contact the store where purchased. If hardware is missing, or you need help with assembly, please call toll free 888-944-8396.

IMPORTANT NOTE:

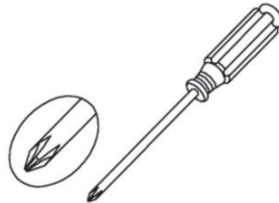
- Place all wooden parts on a clean and smooth surface such as a rug or carpet to avoid the parts from being scratched.
- Remove all wrapping material, including staples & packing straps before you start to assemble.
- DO NOT tighten all screws and bolts until completely assembled.
- Keep all hardware parts out of reach of children.

WARNING:

- Long exposure to rubber or soft plastic may cause a chemical reaction and damage the finish of your product. Protect the surface of the product with cloth if you are using any product with rubber feet or base.

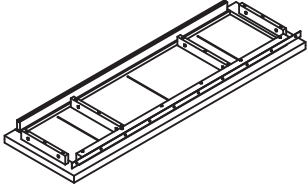
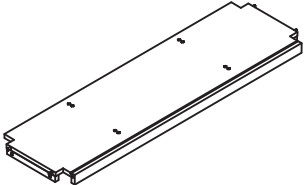
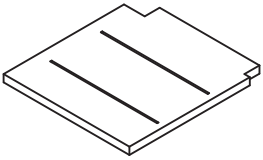
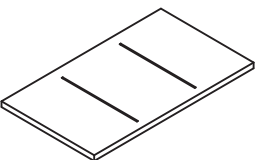
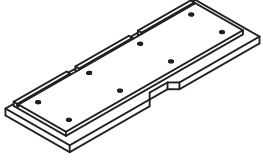
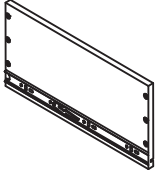
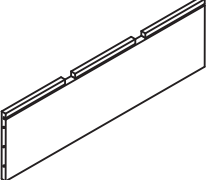
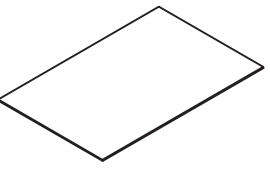
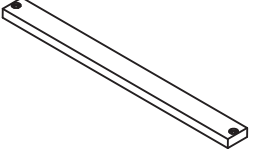
ASSEMBLY TOOLS REQUIRED

NOT INCLUDED



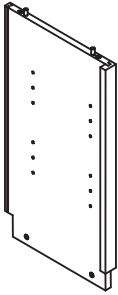
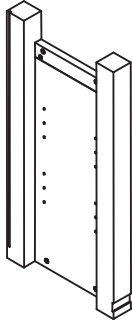

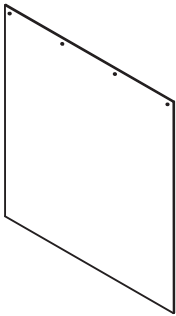
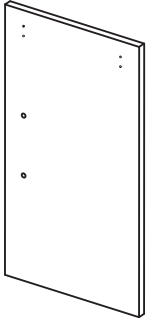
PART LIST SV-38A

When unpacking, please be careful not to discard any parts with the packaging. Before continuing, please make sure you have the following parts:

NO	Description	Qty	Sketch	NO	Description	Qty	Sketch
A	Top	1		B	Bottom panel	1	
C	Side Shelf (L-R)	4		D	Center Shelf	1	
E	Drawer front	1		F	Drawer side (L-R)	2	
G	Drawer back	1		H	Drawer bottom	1	
I	Support bar	2					

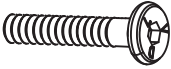





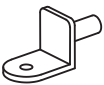


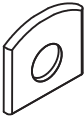
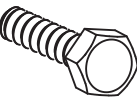
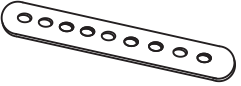


PART LIST SV-38B

When unpacking, please be careful not to discard any parts with the packaging. Before continuing, please make sure you have the following parts:

NO	Description	Qty	Sketch	NO	Description	Qty	Sketch
J	Vertical panel (L-R)	2		K	Side panel (L-R)	2	
L	Side Back panel	2		M	Center Back panel	1	
N	Door (L-R)	2					

HARDWARE LIST

When unpacking, please be careful not to discard any parts with the packaging. Before continuing, please make sure you have all of the following hardware:

NO	Description	Qty	Sketch	NO	Description	Qty	Sketch
1	Bolt (M6 x 35mm)	16		2	Lock Washer (Ø6.5 x 11mm)	16	
3	Flat Washer (Ø6.5 x 19mm)	16		4	Screw (M3.5 x 15mm)	20	
5	Short Screw (M3.5 x 15mm)	24		6	Long Screw (M4 x 35mm)	18	
7	Shelf support bracket	20		8	Door roller (3 x 30mm x 120mm)	4	
9	Handle (2 x 25mm x 180mm)	2		10	Washer	4	
11	Pan screw (M8 x 20mm)	4		12	Steel band	2	
13	Allen Key (M4x 30mm x 110mm)	1		14	Wrench (13mm)	1	

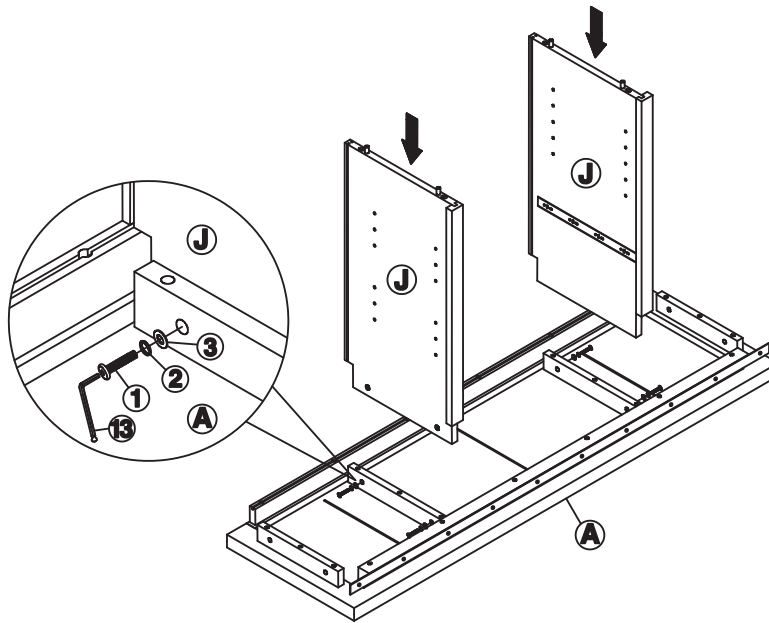
NOTE: HARDWARE IS PACKED IN CARTON SV-38B.

ITEM NO.: SV-38 AND SV-38B
ISSUED DEC 20, 2017

Printed in Vietnam
THIS ITEM IS PACKED IN TWO CARTONS

STEP 1

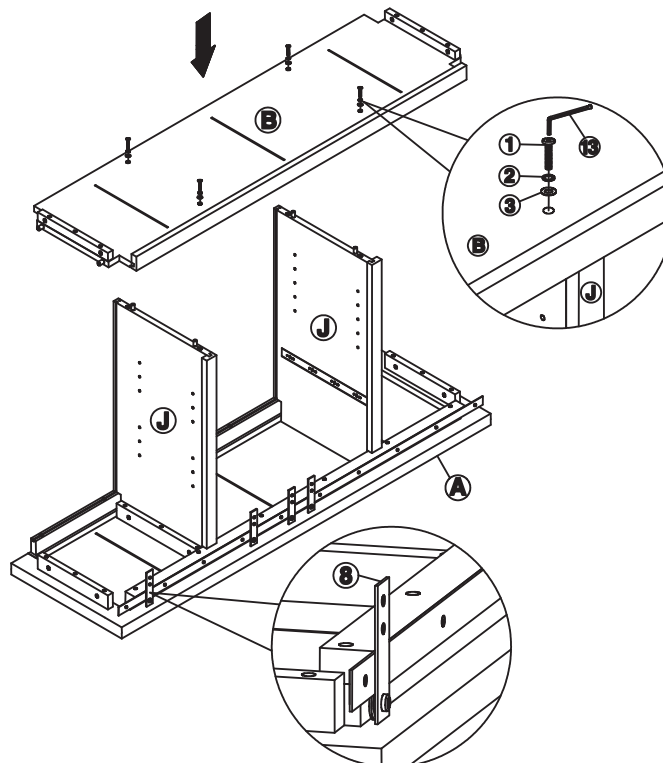
Attach vertical panels (J) to top (A) with bolts (1), and washers (2) and (3) as shown below. Tighten with Allen key (13).



STEP 2

Attach bottom panel (B) to vertical panels (J) with bolts (1), and washers (2) and (3) as shown below. Tighten with Allen key (13).

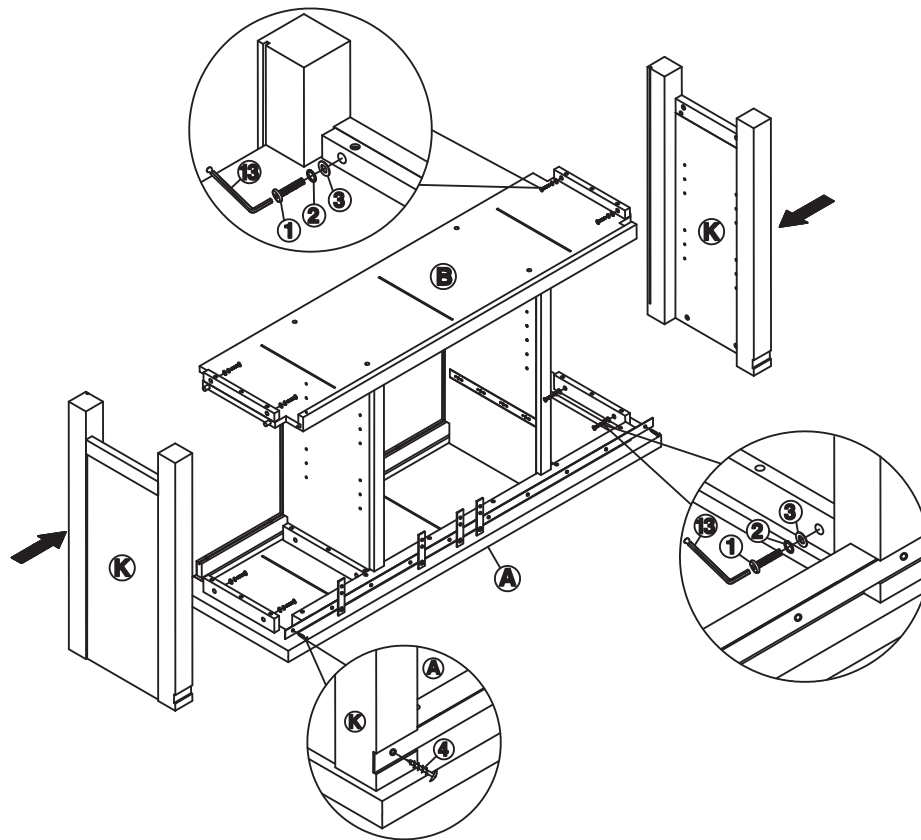
Attach door rollers (8) to top (A) as shown below.



STEP 3

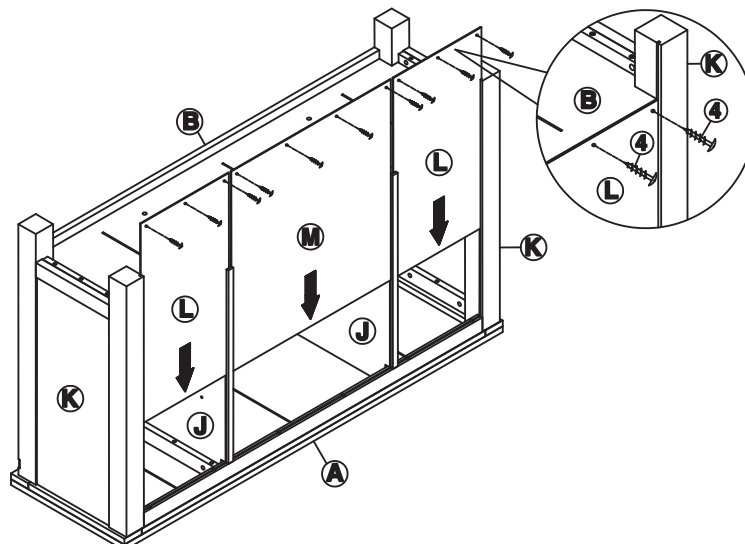
Attach side panels (K) to bottom panel (B) and top (A) with bolts (1), and washers (2) and (3) as shown below. Tighten with Allen key (13).

Attach the steel rail of top (A) to side panels (K) with screws (4) as shown below. Tighten with a screwdriver.



STEP 4

Slide back panels (M) and (L) into the grooves as shown below. Then attach back panels (M) and (L) to bottom panel (B) with screws (4) as shown below. Tighten with a screwdriver.

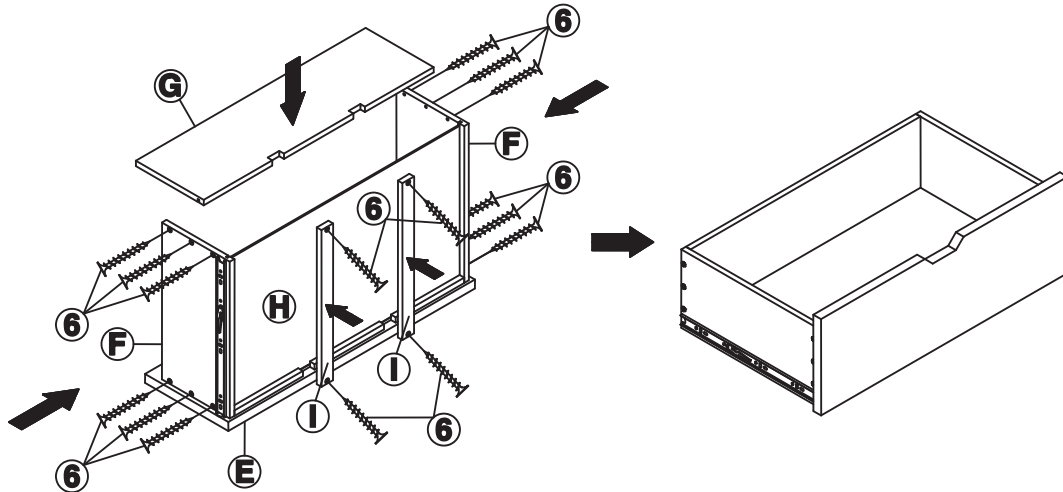


STEP 5

Attach drawer sides (F) to drawer front (E) with screws (6) as shown below. Tighten with a screwdriver. Insert drawer bottom (H) into the grooves at bottom of drawer sides (F) and drawer front (E) as shown below.

Attach drawer back (G) to drawer sides (F) with screws (6) as shown below. Tighten with a screwdriver.

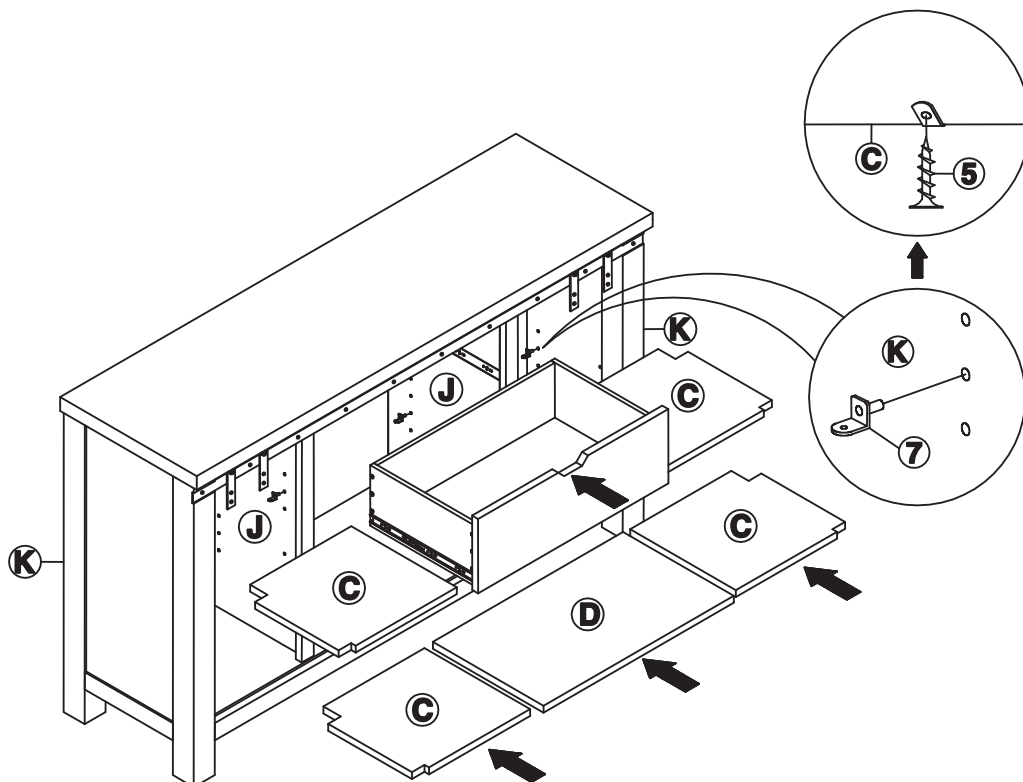
Attach support bars (I) to bottom drawer (H) with screws (6) as shown below. Tighten with a screwdriver.



STEP 6

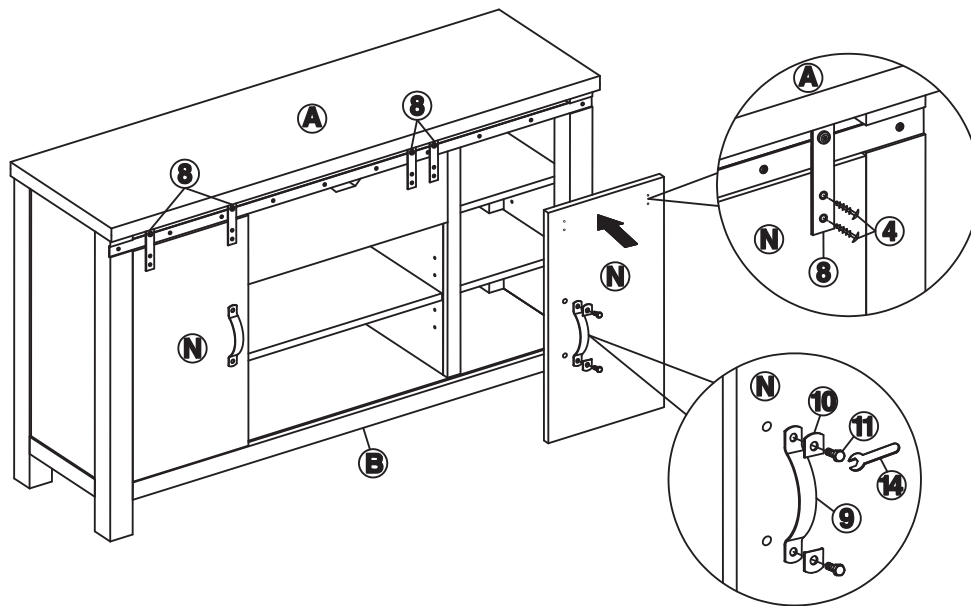
Carefully put the drawer into the unit.

Insert brackets (7) into the unit as shown below. Place shelves (C) and (D) on the brackets and attach with screws (5). Tighten with a screwdriver.



STEP 7

Attach door rollers (8) to doors (N) with screws (4) as shown below. Tighten with a screwdriver. Attach handles (9) to doors (N) with screws (11) and washers (10) as shown below. Tighten with wrench (14).



STEP 8

Attach steel bands (12) to the unit with screws (5) and attach the steel bands to the wall with screws (6) as shown below (to secure the product and prevent tipping). Tighten with a screwdriver.

