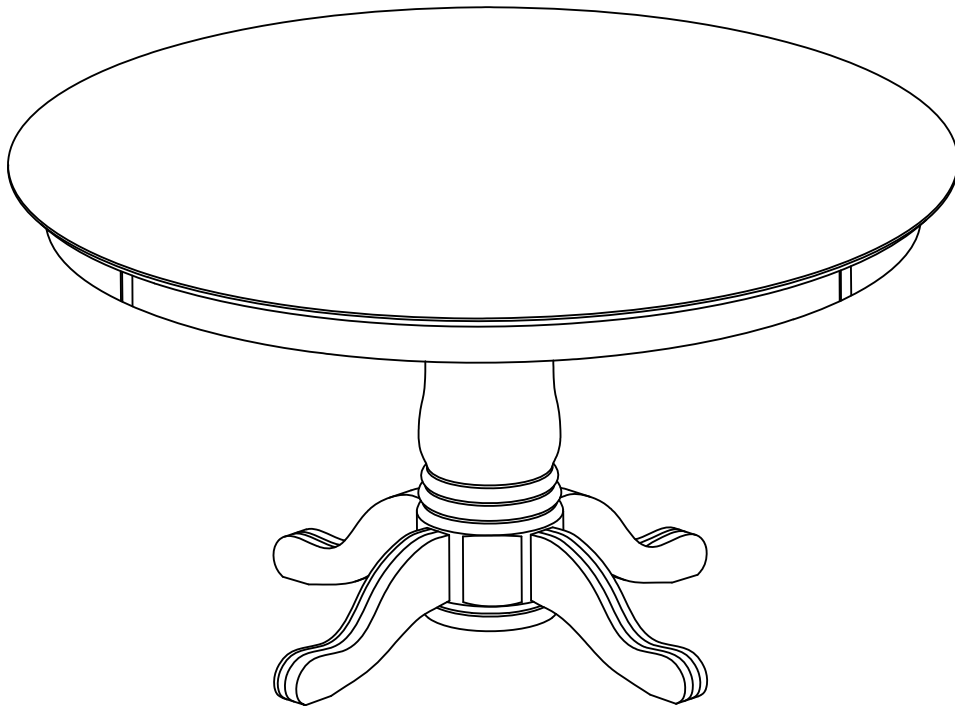


# ASSEMBLY INSTRUCTIONS

---



---

Description : 10 IN TURNED PEDESTAL  
Item No. : T-54B AND T-60RT OR T-48RT OR T-52T  
(PACKED IN SEPARATE BOX)

**ITEM NO: T-54B AND T-60RT OR T-48RT OR T-52T**  
(PACKED IN SEPARATE BOX)  
**REVISED DEC 03, 2014**

**Printed in Vietnam**

## BEFORE ASSEMBLY

Thank you for purchasing this quality product. This product has been designed for easy assembly and constructed for durability. All parts were checked prior to packaging to insure quality. Prior to beginning assembly, however, make sure all parts and hardware are included and free of obvious defect. If a part is missing or defective, please contact the store where purchased. If hardware is missing, or you need help with assembly, please call toll free 888-944-8396.

**IMPORTANT NOTE:**

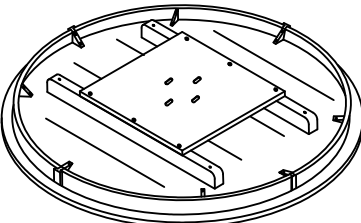
- Place all wooden parts on a clean and smooth surface such as a rug or carpet to avoid the parts from being scratched.
- Remove all wrapping material, including staples & packing straps before you start to assemble.
- DO NOT tighten all screws and bolts until completely assembled.
- Keep all hardware parts out of reach of children.

**WARNING:**

Long exposure to rubber or soft plastic may cause a chemical reaction and damage the finish of your table. Protect the surface of the table with cloth if you are using any product with rubber feet or base.

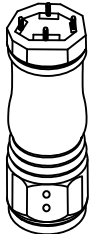
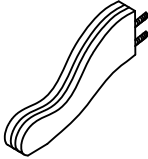
## PART LIST T-60RT, T-52T, T-48RT

When unpacking, please be careful not to discard any parts with the packaging. Before continuing, please make sure you have the following parts:

NO	Description	Qty	Sketch	NO	Description	Qty	Sketch
A	Top	1					

## PART LIST T-54B

When unpacking, please be careful not to discard any parts with the packaging. Before continuing, please make sure you have the following parts:

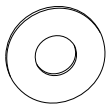

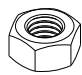
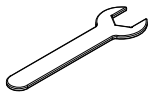

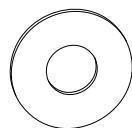
NO	Description	Qty	Sketch	NO	Description	Qty	Sketch
B	Pedestal column	1		C	Leg	4	

**ITEM NO: T-54B AND T-60RT OR T-48RT OR T-52T**  
 (PACKED IN SEPARATE BOX)  
 REVISED DEC 03, 2014

**Printed in Vietnam**

## HARDWARE LIST

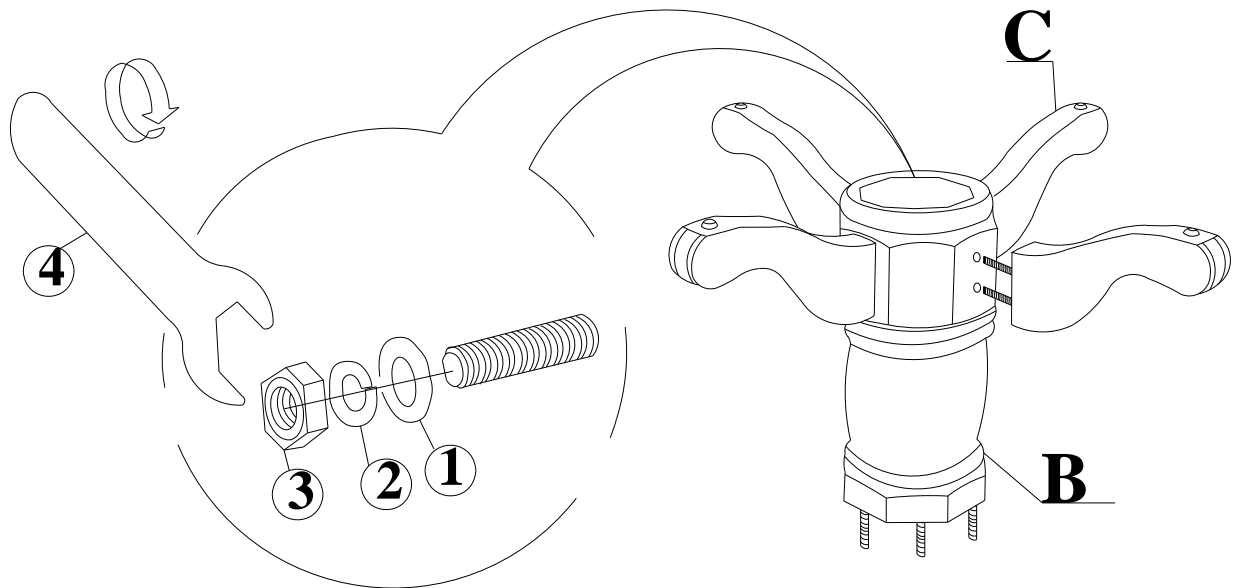
When unpacking, please be careful not to discard any parts with the packaging. Before continuing, please make sure you have all of the following parts:

NO	Description	Qty	Sketch	NO	Description	Qty	Sketch
1	Flat washer ( $\Phi 8.5 \times 19\text{mm}$ )	8		2	Lock washer ( $\Phi 8.5 \times 13\text{mm}$ )	12	
3	Hexagon nut (M8x13mm)	12		4	Wrench (13mm)	1	
5	Allen key (4x80mm)	1		6	Large flat washer ( $\Phi 8.5 \times \Phi 22\text{mm}$ )	4	

**NOTE : HARD WARE IS PACKED IN CARTON T-54B**

## STEP 1

Attach the Legs (C) to pedestal (B) by using Nuts (3), and Washers (2) and (1) as shown below. Tighten with the Wrench (4).

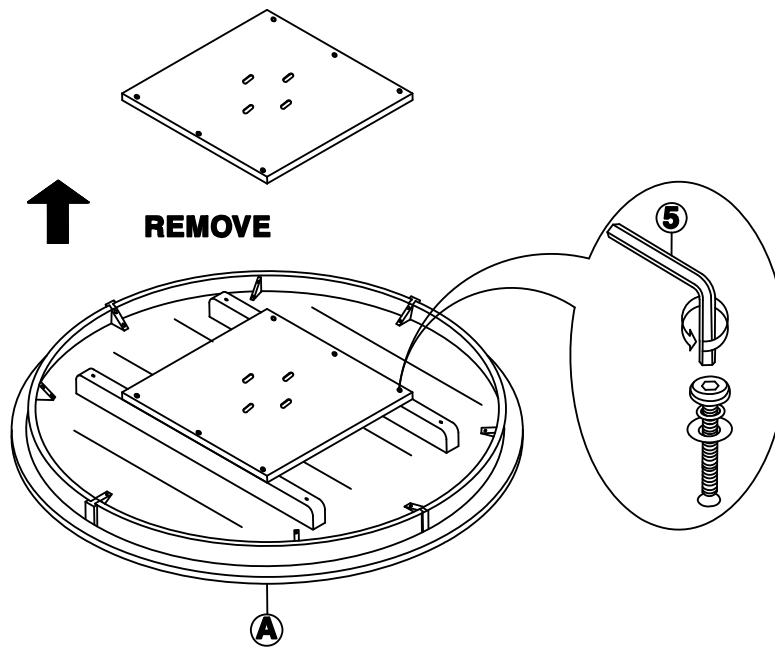


**ITEM NO: T-54B AND T-60RT OR T-48RT OR T-52T**  
 (PACKED IN SEPARATE BOX)  
**REVISED DEC 03, 2014**

**Printed in Vietnam**

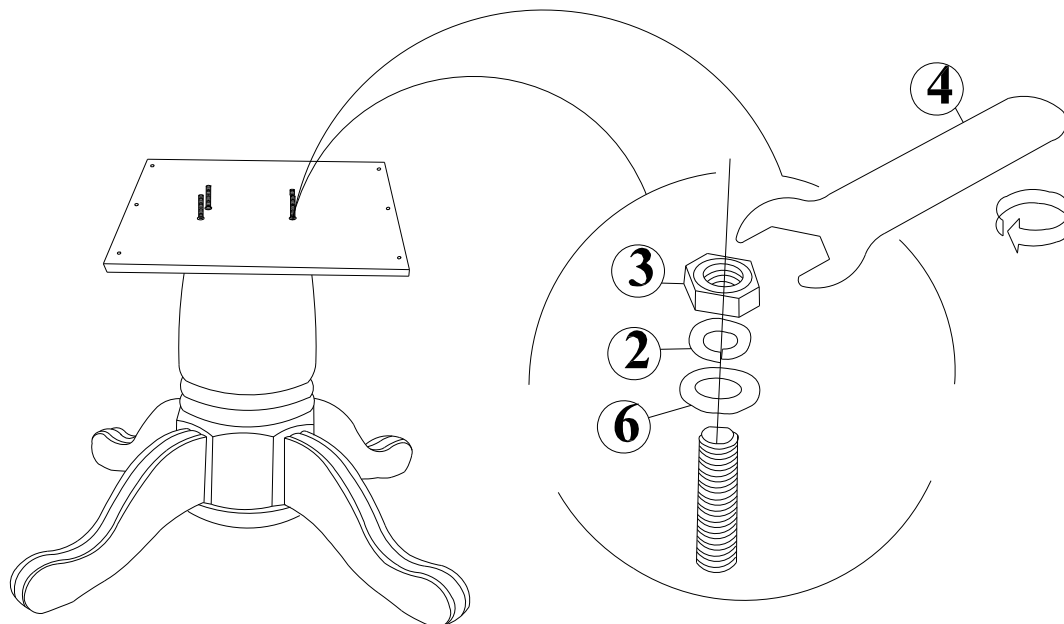
## STEP 2

Use the Allen key (5) to loosen the bolts and washers, and take off the plate underneath the table top.



## STEP 3

Place the plate on top of the pedestal (B), attach with washers (6) and (2), and nuts (3) as shown below. Tighten with the Wrench (4).

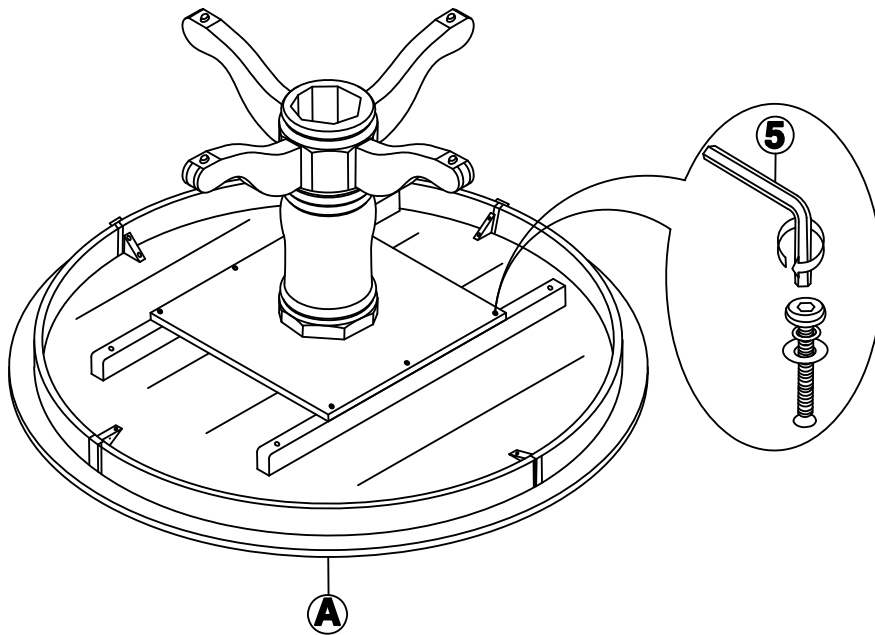


ITEM NO: T-54B AND T-60RT OR T-48RT OR T-52T  
(PACKED IN SEPARATE BOX)  
REVISED DEC 03, 2014

Printed in Vietnam

## STEP 4

Carefully put the pedestal block on the bottom side of the table top, attach the top to plate with bolts and washers (from step 2) and tighten with the Allen key (5)



ITEM NO: T-54B AND T-60RT OR T-48RT OR T-52T  
(PACKED IN SEPARATE BOX)  
REVISED DEC 03, 2014

Printed in Vietnam