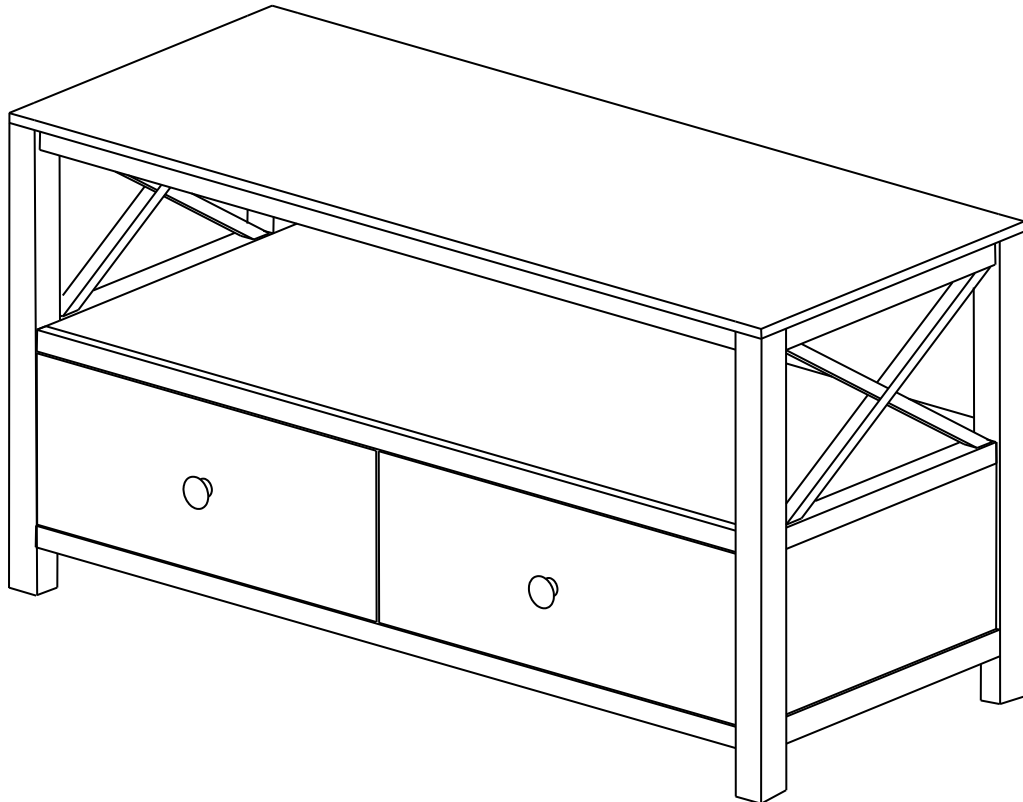


# ASSEMBLY INSTRUCTIONS

---



---

Description : HAMPTON 44 IN X-SIDE TV STAND  
Item No : TV-25

## BEFORE ASSEMBLY

Thank you for purchasing this quality product. This product has been designed for easy assembly and constructed for durability. All parts were checked prior to packaging to insure quality. Prior to beginning assembly, however, make sure all parts and hardware are included and free of obvious defect. If a part is missing or defective, please contact the store where purchased. If hardware is missing, or you need help with assembly, please call toll free 888-944-8396.

### IMPORTANT NOTE:

- Place all wooden parts on a clean and smooth surface such as a rug or carpet to avoid the parts from being scratched.
- Remove all wrapping material, including staples & packing straps before you start to assemble.
- DO NOT tighten all screws and bolts until completely assembled.
- Keep all hardware parts out of reach of children.

### WARNING:

Long exposure to rubber or soft plastic may cause a chemical reaction and damage the finish of your product. Protect the surface of the product with cloth if you are using any product with rubber feet or base.

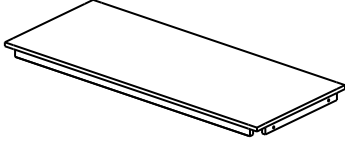
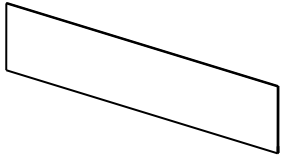
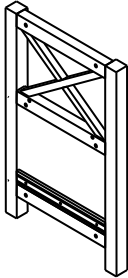
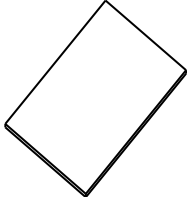
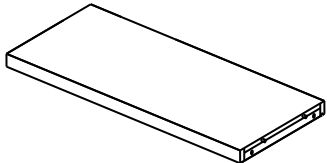
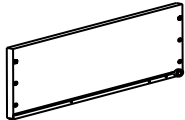
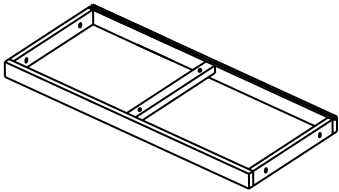
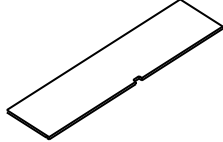
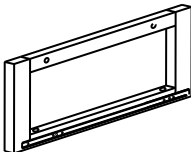
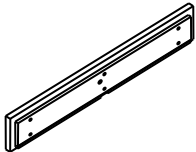
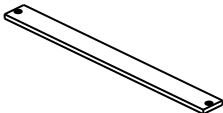
### ASSEMBLY TOOLS REQUIRED

NOT INCLUDE



# PART LIST

When unpacking, please be careful not to discard any parts with the packaging. Before continuing, please make sure you have the following parts:

| NO | Description      | Qty | Sketch  | NO | Description       | Qty | Sketch  |
|----|------------------|-----|---|----|-------------------|-----|---|
| A  | Top              | 1   |    | F  | Back panel        | 1   |    |
| B  | Side frame (L-R) | 2   |    | G  | Drawer bottom     | 2   |    |
| C  | Center panel     | 1   |   | H  | Drawer side (L-R) | 4   |   |
| D  | Bottom frame     | 1   |  | I  | Drawer back       | 2   |  |
| E  | Vertical frame   | 1   |  | L  | Drawer front      | 2   |  |
| M  | Support bar      | 2   |  |    |                   |     |   |

# HARDWARE LIST

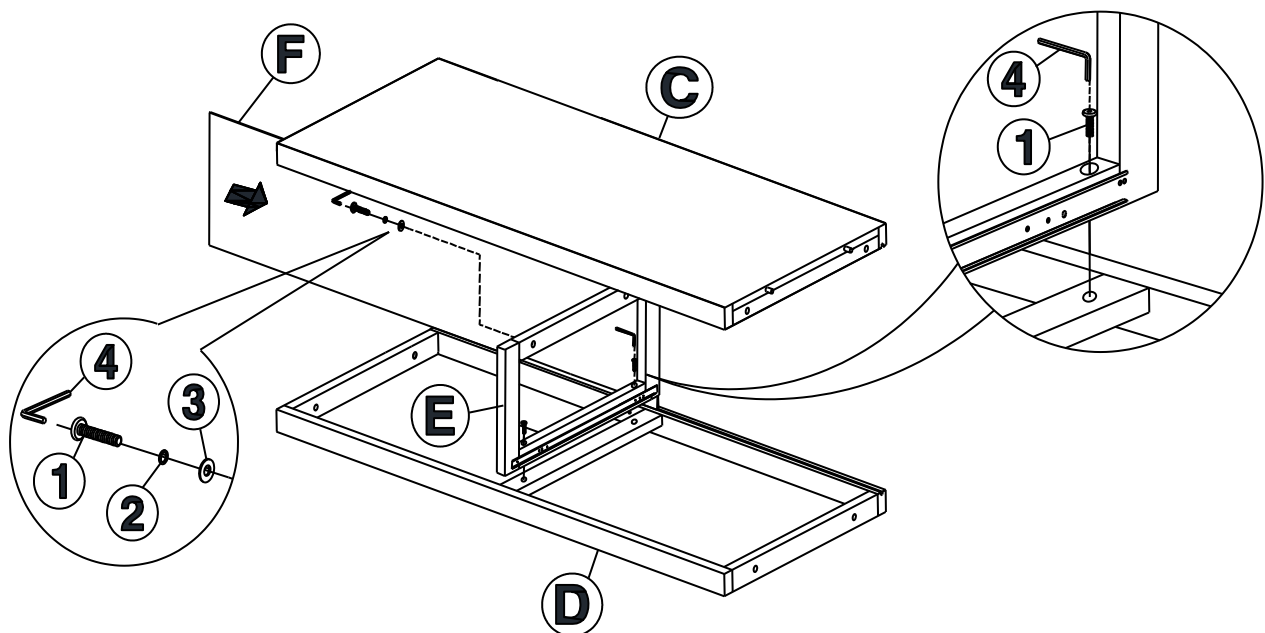
When unpacking, please be careful not to discard any parts with the packaging. Before continuing, please make sure you have all of the following hardware:

| NO | Description                  | Qty | Sketch | NO | Description   | Qty | Sketch |
|----|------------------------------|-----|--------|----|---|-----|--------|
| 1  | Bolt<br>(M6 x 35mm)          | 16  |        | 2  | Spring washer<br>(Φ6.5 x 11mm)  | 14  |        |
| 3  | Flat washer<br>(Φ6.5 x 19mm) | 14  |        | 4  | Allen key<br>(M4 x 30mm x 120mm)  | 1   |        |
| 5  | Screw<br>(M4 x 30mm)         | 28  |        | 6  | Pan head screw<br>*Metal knob: (M4 x 22mm)<br>*Wooden knob: (M4 x 25mm)                       | 2   |        |
| 7  | Wooden knob                  | 2   |        |    | <b>METAL KNOB</b><br>(Φ30 x 30mm)<br><b>GOES WITH</b><br><b>FINISHED ITEM</b><br><b>ONLY.</b> | 2   |        |

## STEP 1

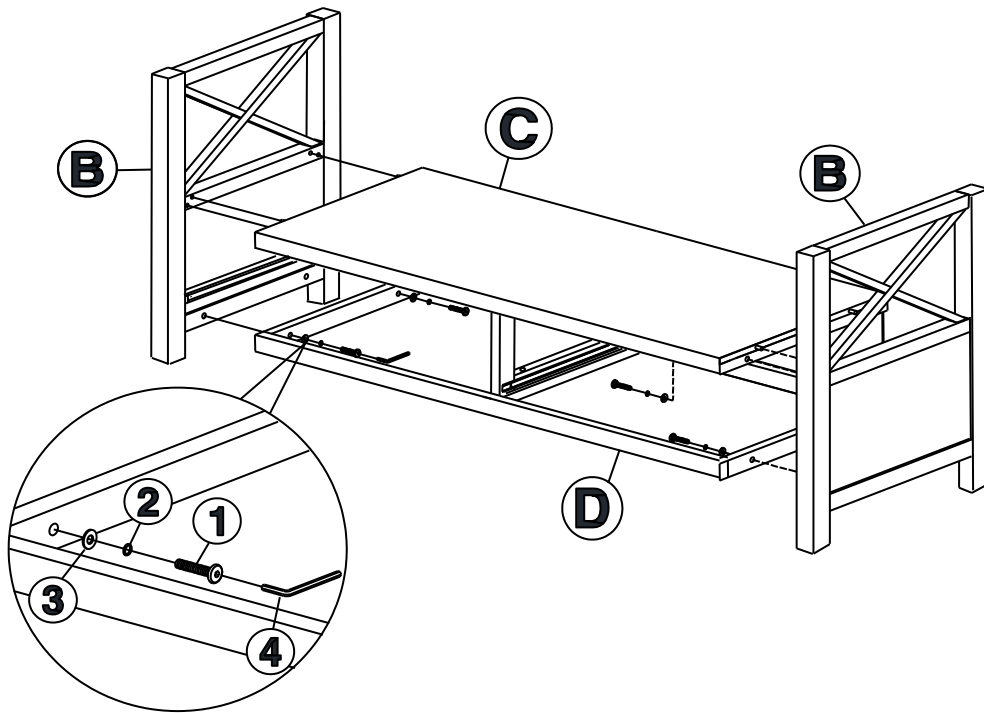
Attach vertical frame (E) to bottom frame (D) and center panel (C) with bolts (1), and washers (2) and (3) as shown below. Tighten with Allen key (4).

Then slide back panel (F) into the grooves of bottom frame (D) and center panel (C) as shown below.



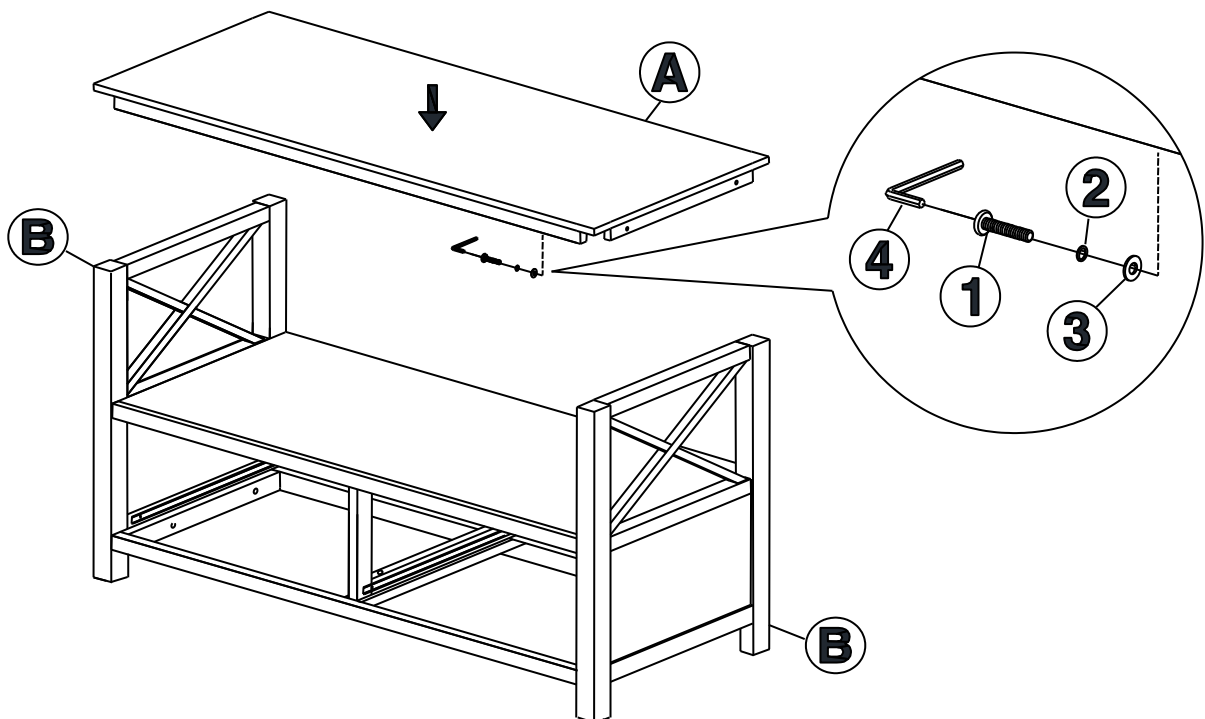
## STEP 2

Attach side frames (B) to center panel (C) and bottom frame (D) with bolts (1), and washers (2) and (3) as shown below. Tighten with Allen key (4).



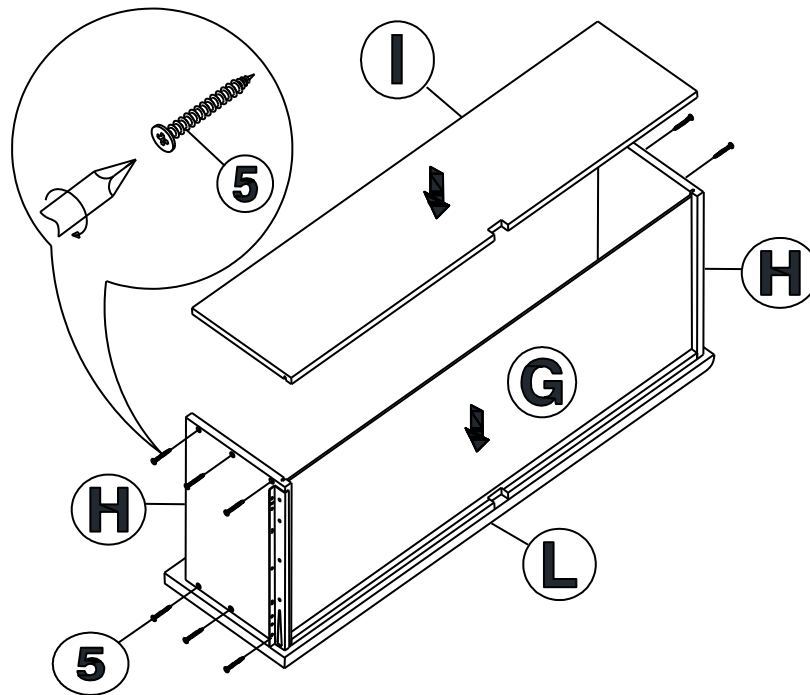
## STEP 3

Attach top (A) to side frames (B) with bolts (1), and washers (2) and (3) as shown below. Tighten with Allen key (4).



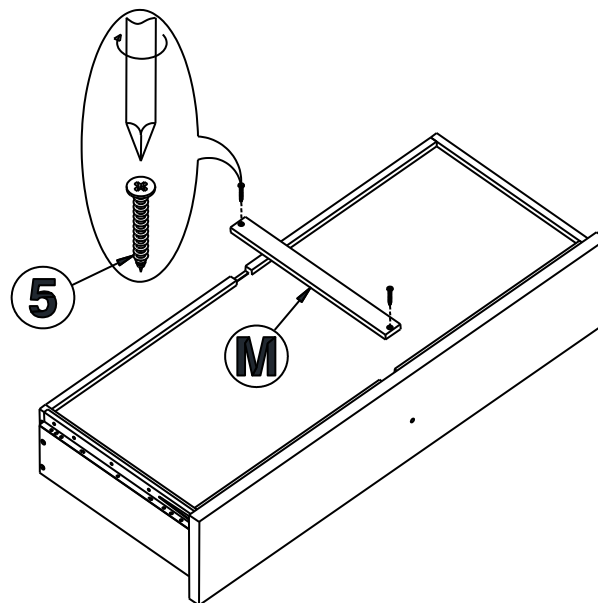
## STEP 4

Attach drawer sides (H) to drawer front (L) with screws (5) as shown below. Tighten with a screwdriver. Slide drawer bottom (G) into the grooves of drawer sides (H) and drawer front (L). Then attach the drawer back (I) to drawer sides (H) with screws (5) as shown below. Tighten with a screwdriver.



## STEP 5

Attach support bars (M) to bottom of drawers with screws (5) as shown below. Tighten with a screwdriver.



## STEP 6

Attach knobs (7) to front of drawers with pan head screws (6) as shown below. Tighten with a screwdriver.

