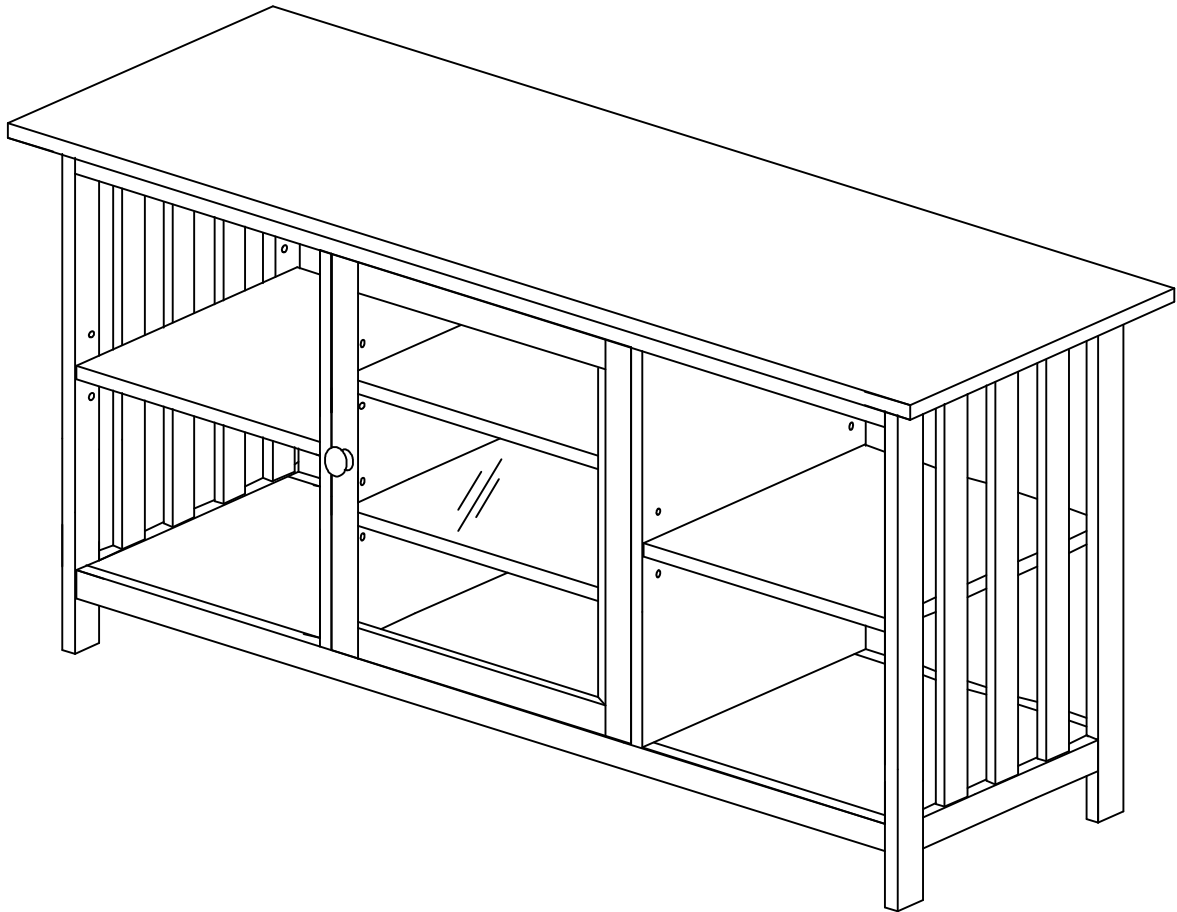


# ASSEMBLY INSTRUCTIONS

---



---

Description : MISSION ENTERTAINMENT STAND RTA  
Item No. : TV-58

## BEFORE ASSEMBLY

Thank you for purchasing this quality product. This product has been designed for easy assembly and constructed for durability. All parts were checked prior to packaging to insure quality. Prior to beginning assembly, however, make sure all parts and hardware are included and free of obvious defect. If a part is missing or defective, please contact the store where purchased. If hardware is missing, or you need help with assembly, please call toll free 888-944-8396.

### IMPORTANT NOTE:

- Place all wooden parts on a clean and smooth surface such as a rug or carpet to avoid the parts from being scratched.
- Remove all wrapping material, including staples & packing straps before you start to assemble.
- DO NOT tighten all screws and bolts until completely assembled.
- Keep all hardware parts out of reach of children.

### WARNING:

Long exposure to rubber or soft plastic may cause a chemical reaction and damage the finish of your product. Protect the surface of the product with cloth if you are using any product with rubber feet or base.

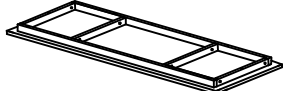

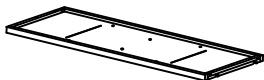

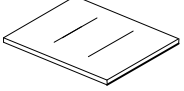



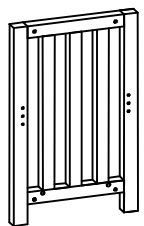
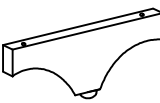
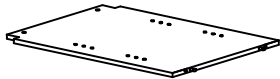
### ASSEMBLY TOOLS REQUIRED

NOT INCLUDED




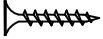



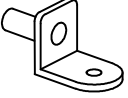
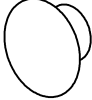



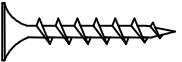
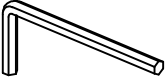

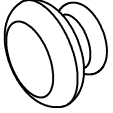
# PART LIST

When unpacking, please be careful not to discard any parts with the packaging. Before continuing, please make sure you have the following parts:

| NO | Description          | Qty | Sketch  | NO | Description       | Qty | Sketch  |
|----|----------------------|-----|---|----|-------------------|-----|---|
| A  | Top                  | 1   |    | G  | Side shelf        | 2   |    |
| B  | Bottom panel         | 1   |    | H  | Back panel        | 1   |    |
| C  | Center Shelf         | 2   |    | I  | H-Connector       | 1   |   |
| D  | Door with glass      | 1   |  | J  | Center back panel | 1   |  |
| E  | Side frame           | 2   |  | K  | Support leg       | 1   |  |
| F  | Vertical panel (L-R) | 2   |  |    |                   |     |   |

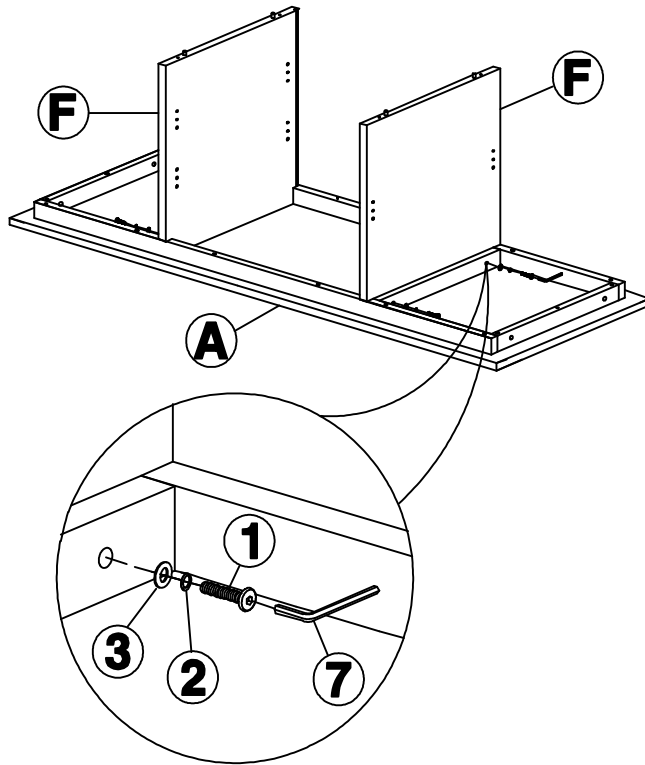
# HARDWARE LIST

When unpacking, please be careful not to discard any parts with the packaging. Before continuing, please make sure you have all of the following hardware:

| NO | Description   | Qty | Sketch  | NO | Description                | Qty | Sketch   |
|----|---|-----|---|----|----------------------------|-----|--|
| 1  | Bolt<br>(M6x35mm)   | 18  |    | 8  | Short screw<br>(M3.5x15mm) | 20  |   |
| 2  | Spring washer<br>(φ6.5x11mm)  | 18  |    | 9  | Magnet                     | 1   |   |
| 3  | Flat washer<br>(φ6.5x19mm)  | 16  |    | 10 | Bracket<br>(6.2mm)         | 16  |   |
| 4  | Wooden knob<br>(φ38x30mm)   | 1   |    | 11 | Warning Label              | 1   | <div style="border: 1px solid black; padding: 5px; text-align: center;"> <p><b>WARNING!</b><br/>THIS ITEM IS PRONE TO TIPPING.<br/>USE ANTI-TIPPING HARDWARE (PROVIDED) TO SECURE TO THE WALL.<br/>DO NOT ALLOW CHILDREN TO CLIMB ON FURNITURE.<br/>PLACE HEAVIEST OBJECTS IN LOWER DRAWERS.<br/>DO NOT OPEN MORE THAN ONE DRAWER ON THE UNIT AT THE SAME TIME.</p> </div> |
| 5  | Pan head screw<br><b>*Metal knob: (M4x22mm)</b><br><b>*Wooden knob:(M4x25mm)</b>              | 1   |   | 12 | Steel band                 | 1   |    |
| 6  | Door pin<br>(φ5.2/13x1.2mm)<br>(φ7x10mm)  | 2   |  | 13 | Long Screw<br>(M4x30mm)    | 1   |   |
| 7  | Allen key<br>(M4x80mm)  | 1   |  | 14 | Flat Washer<br>(φ6.5x13mm) | 2   |   |
|    | <b>METAL KNOB</b><br>(φ30 x 30mm)<br><b>GOES WITH</b><br><b>FINISHED ITEM</b><br><b>ONLY.</b> |     |  |    |                            |     |  |

## STEP 1

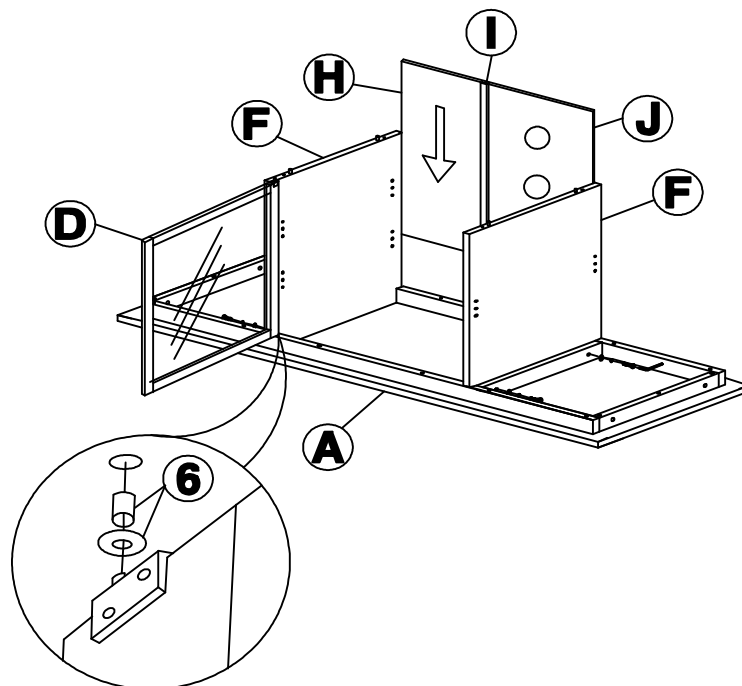
Attach the panels (F) to the top (A) with bolts (1), and washers (2) and (3) as shown below. Tighten with Allen key (7).



## STEP 2

Attach H-connector (I) to top (A) as shown below.

Slide center back panel (J) and back panel (H) into grooves of H-connector (I) as shown below. Attach the door (D) to the top (A) with door pins (6) as shown below.

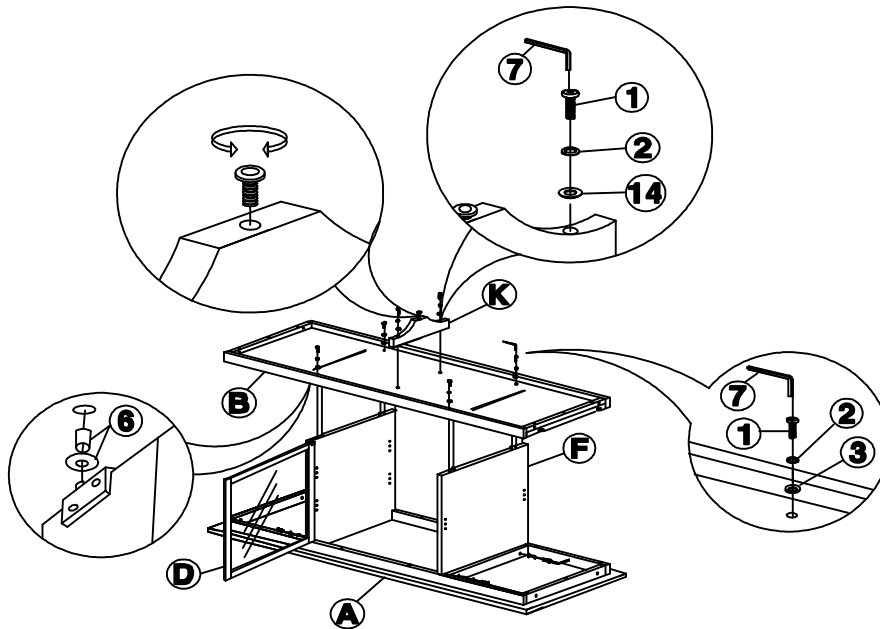


## STEP 3

Attach the bottom panel (B) to the panels (F) with bolts (1), and washers (2) and (3) as shown below. Tighten with Allen key (7).

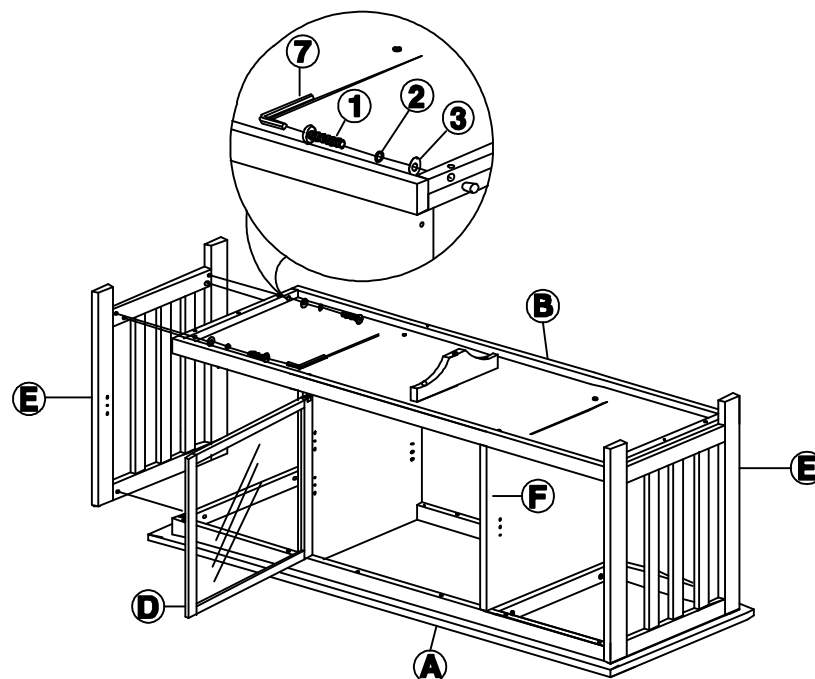
Attach the door (D) to the bottom panel (B) with door pins (6).

Attach the support leg (K) to the bottom panel (B) with bolts (1) and washers (2) and (14), as shown below. Tighten with Allen key (7).



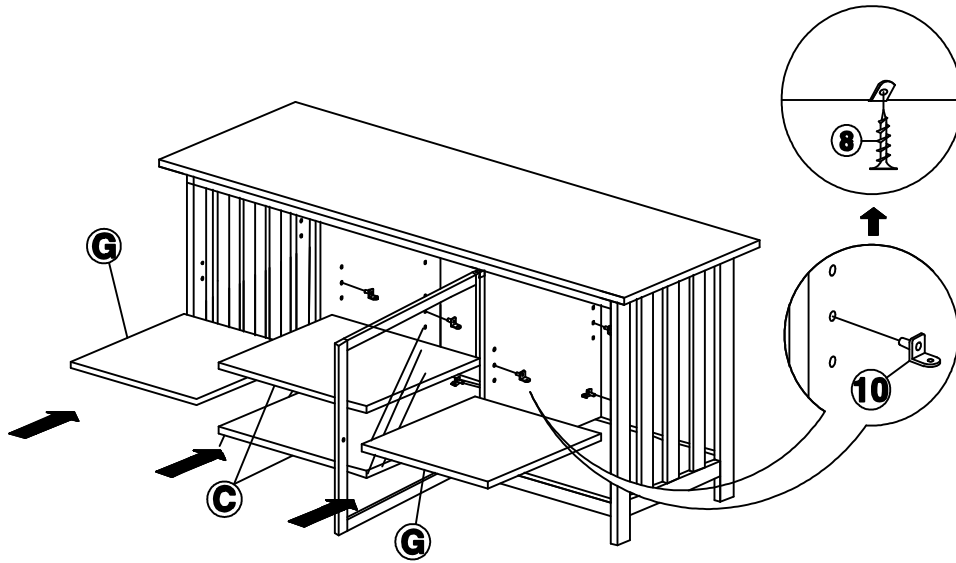
## STEP 4

Attach side frames (E) to the unit with bolts (1), and washers (2) and (3) as shown below. Tighten with the Allen key (7).



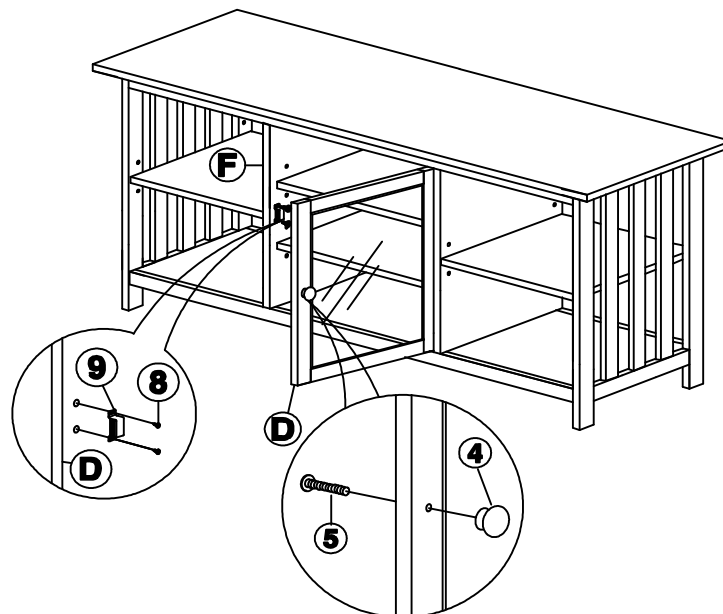
## STEP 5

Insert brackets (10) into the unit. Place the shelves (C) and (G) on the brackets and attach with screws (8) as shown below. Tighten with a screwdriver.



## STEP 6

Attach magnet (9) to the unit with screws (8) as shown below. Tighten with a screwdriver. Attach the knob (4) to door (D) with screw (5). Tighten with a screwdriver.



## STEP 7

Stick Warning labels (11) on the back side of doors before use.

Attach steel band (12) to the unit with screws (8). Then attach the steel band (12) to a wall with screw (13) as shown below (to secure the product and prevent tipping). Tighten with a screwdriver.

