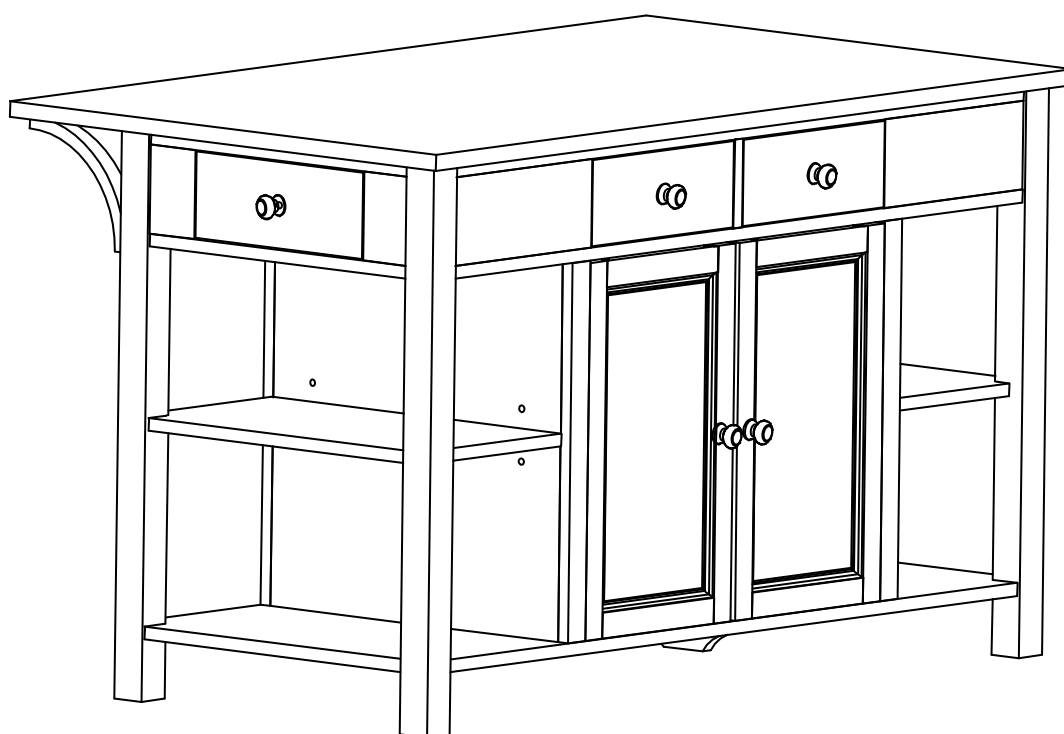


REMOVING AND REATTACHING THE TOP



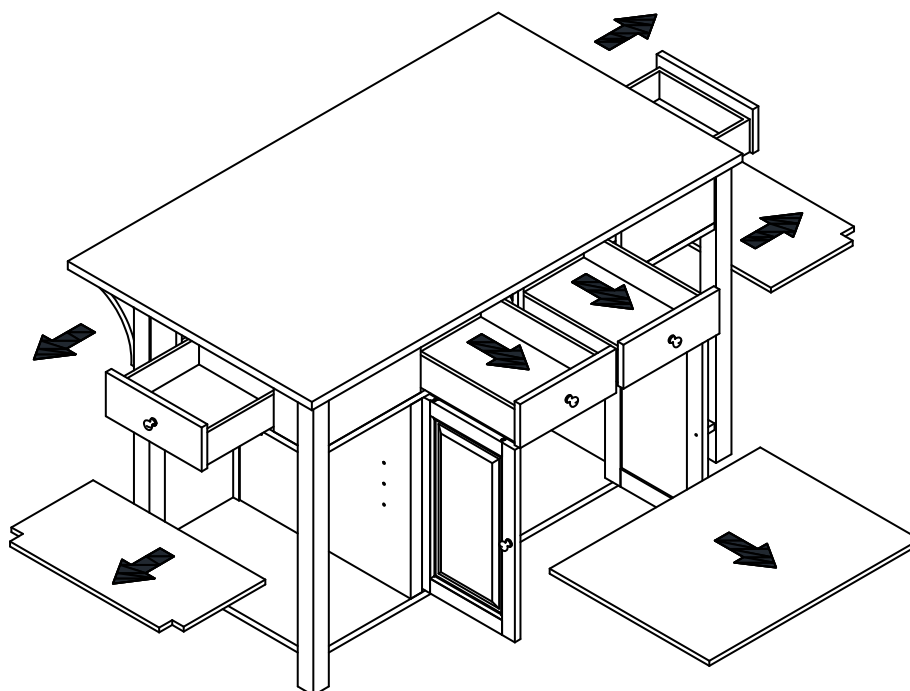
Description : SUPER KITCHEN CNTR W/BAR
Item No. : WC-6034A AND WC-6034B

ITEM NO.: WC-6034A AND WC-6034B
REVISED AUG 22, 2018

Printed in Vietnam

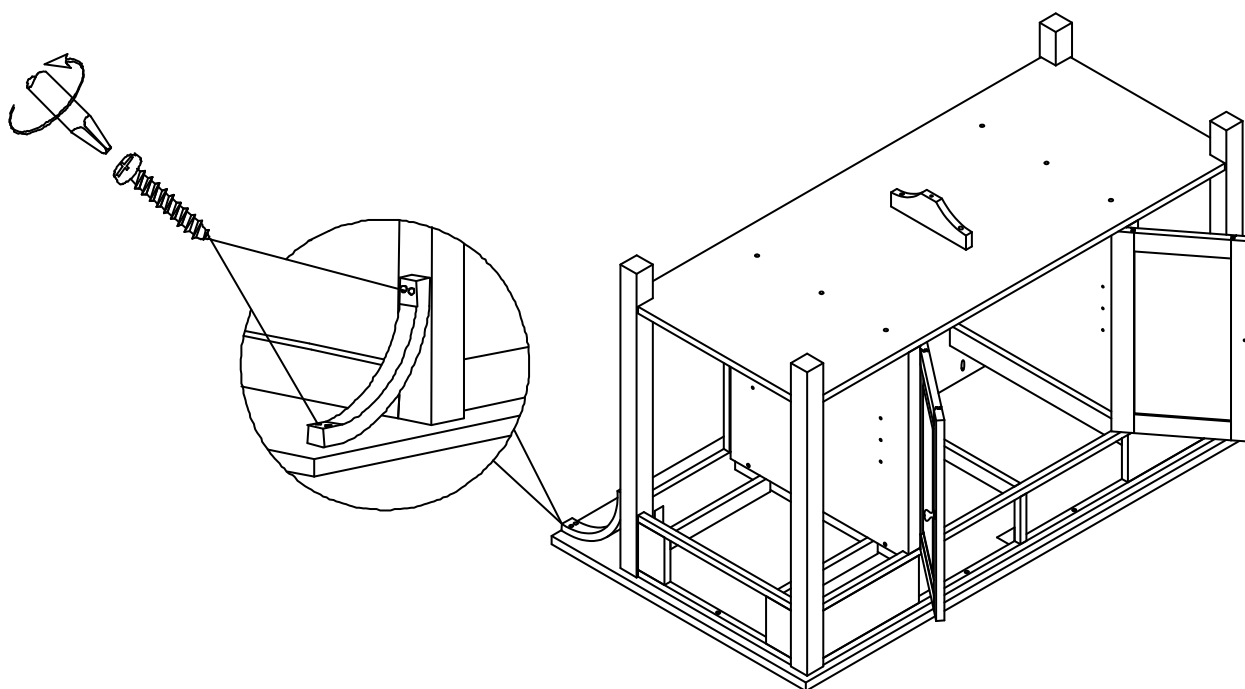
STEP 1

Take out all drawers and shelves, as shown below.



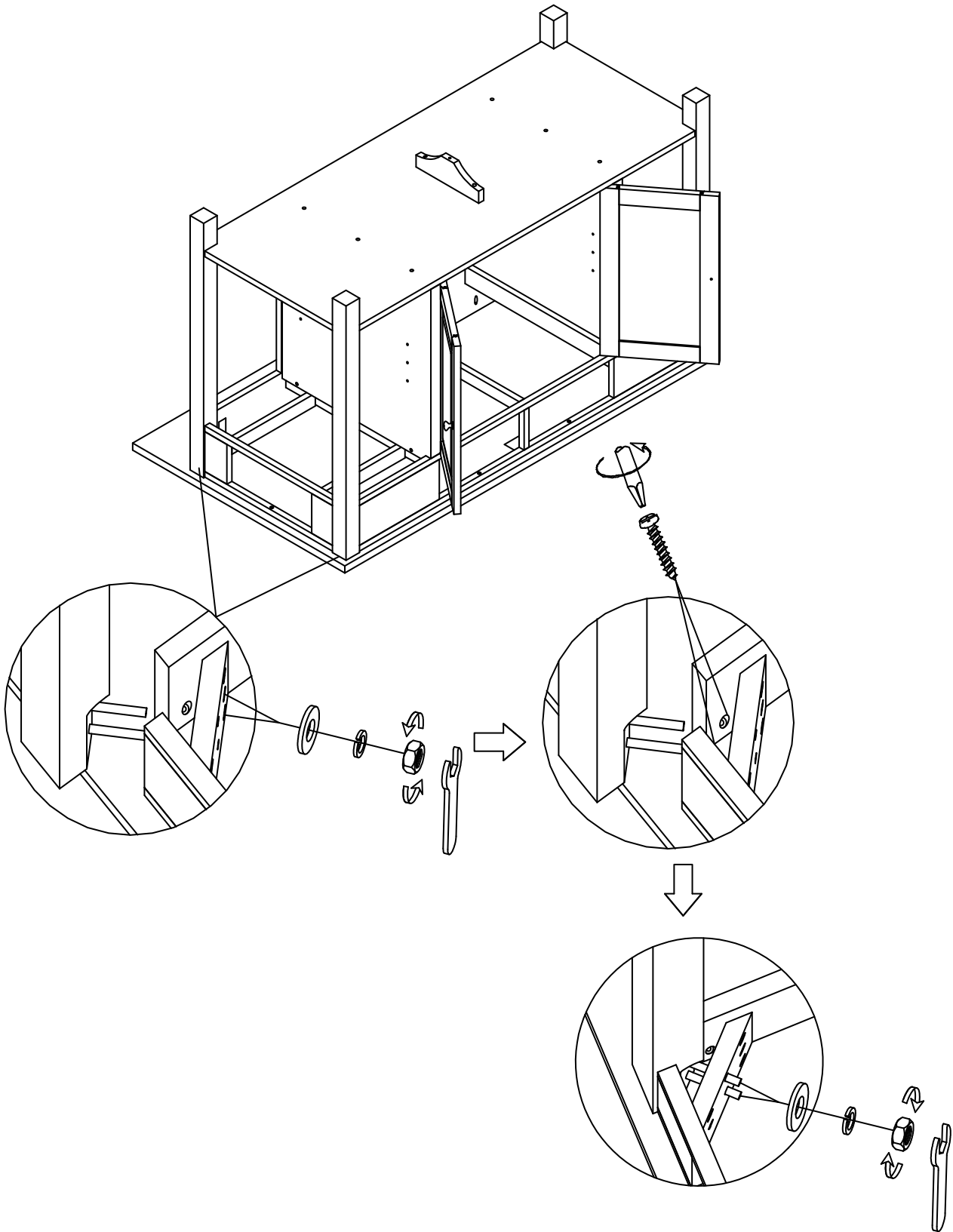
STEP 2

Use a screwdriver to loosen screws. Then remove banana supports as shown below.



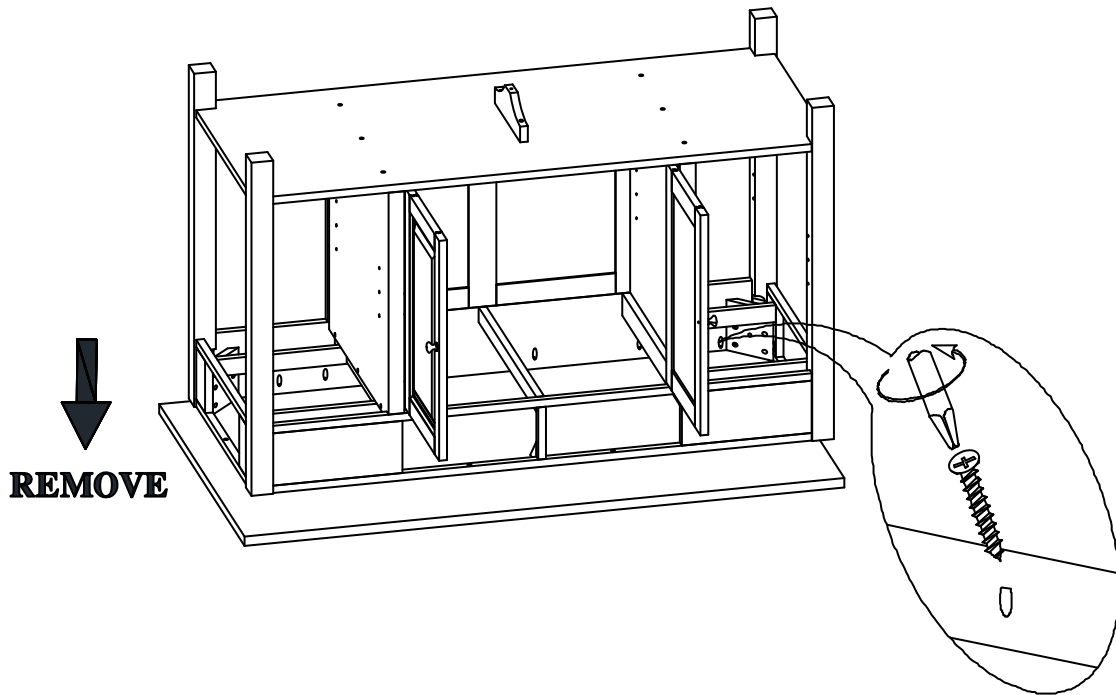
STEP 3

Use a wrench to loosen the nuts and washers. Then remove the legs as shown below.
Use a screwdriver to loosen screws at the corner as shown below.
Re-attach the legs to the unit.



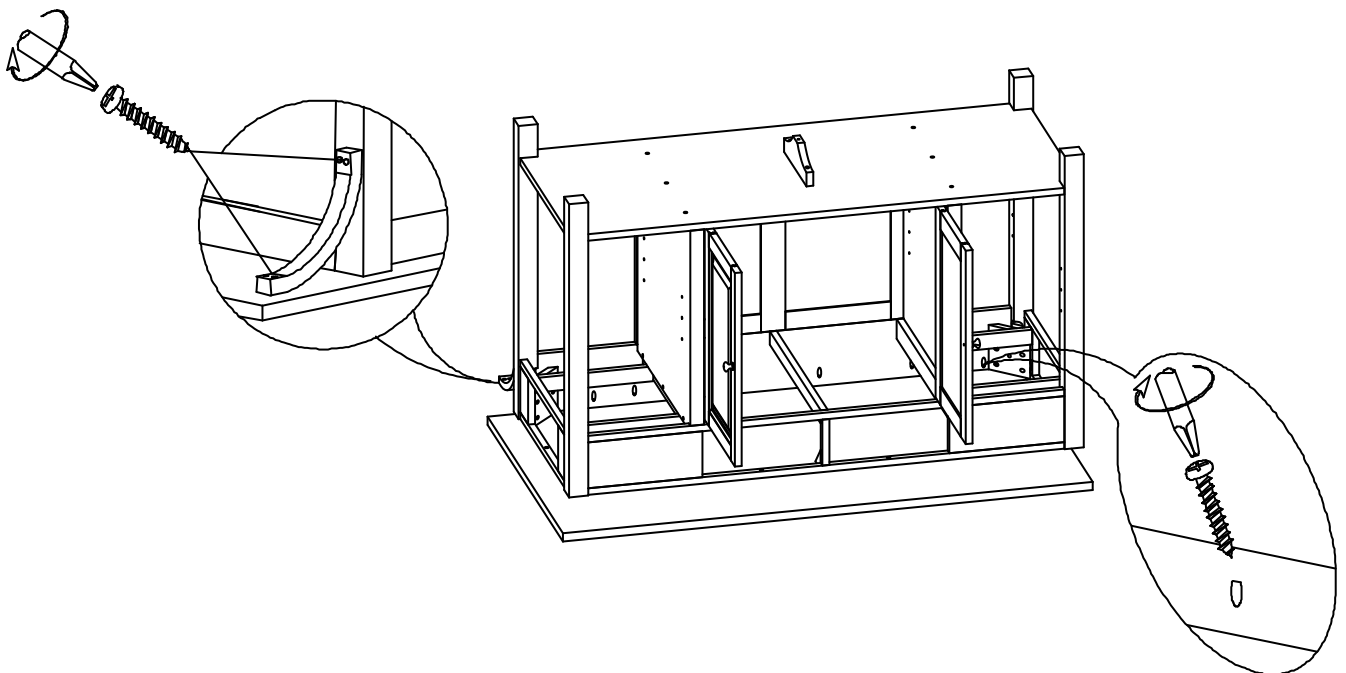
STEP 4

Use a screwdriver to loosen screws. Then remove the top as shown below.



STEP 5

Re-attach top and banana supports to the unit with screws (from step 2, 3, 4) as shown below. Tighten with a screwdriver.



STEP 6

Insert the drawers and shelves into the unit as shown below.

