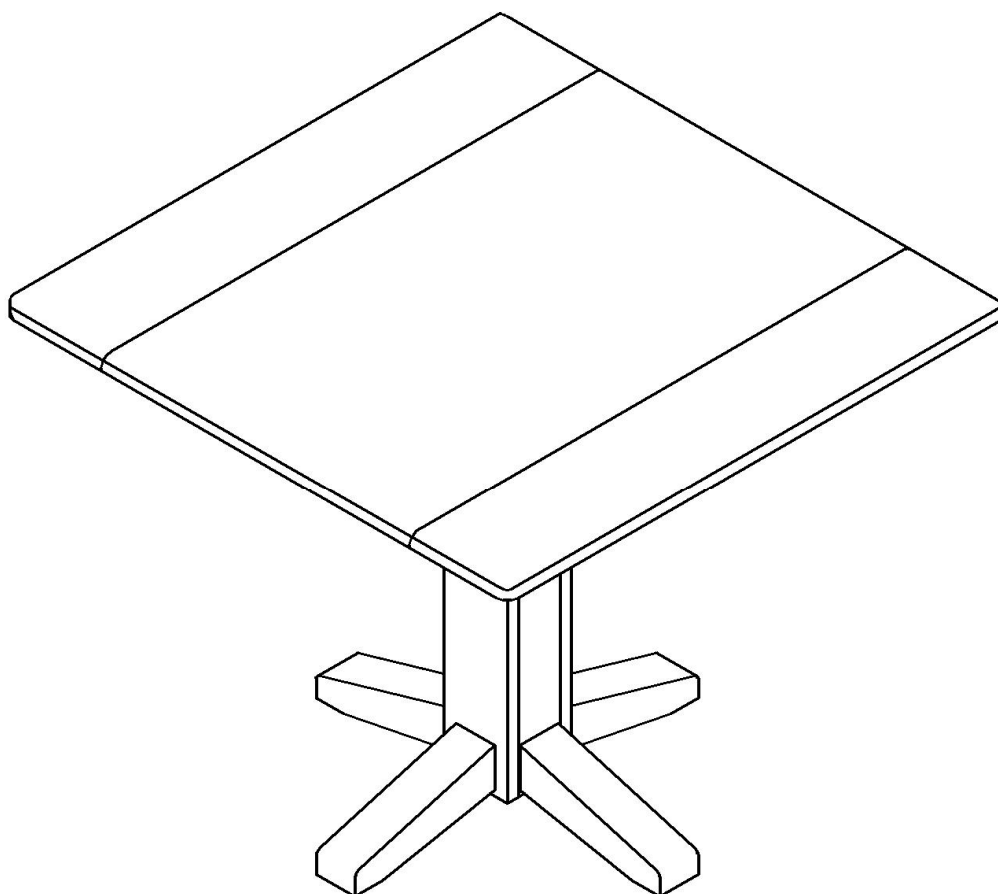


ASSEMBLY INSTRUCTIONS



Description : 36 X 36 SQUARE DROPLEAF PED TABLE

Item No. : T-36SDP

BEFORE ASSEMBLY

Thank you for purchasing this quality product. This product has been designed for easy assembly and constructed for durability. All parts were checked prior to packaging to insure quality. Prior to beginning assembly, however, make sure all parts and hardware are included and free of obvious defect. If a part is missing or defective, please contact the store where purchased. If hardware is missing, or you need help with assembly, please call toll free 888-944-8396.

IMPORTANT NOTE:

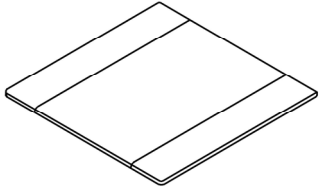
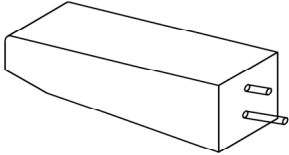

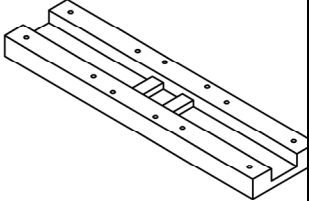
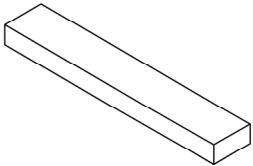
- Place all wooden parts on a clean and smooth surface such as a rug or carpet to avoid the parts from being scratched.
- Remove all wrapping material, including staples & packing straps before you start to assemble.
- DO NOT tighten all screws and bolts until completely assembled.
- Keep all hardware parts out of reach of children.

WARNING:

Long exposure to rubber or soft plastic may cause a chemical reaction and damage the finish of your table. Protect the surface of the table with cloth if you are using any product with rubber feet or base.

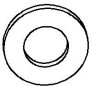


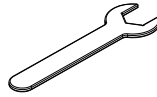




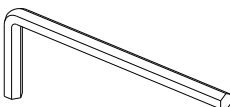
PART LIST

When unpacking, please be careful not to discard any parts with the packaging. Before continuing, please make sure you have the following parts:

NO	Description	Qty	Sketch	NO	Description	Qty	Sketch
A	Top	1		B	Leg	4	
C	Pedestal	1		D	Mounting Plate	1	
E	Wood slide	2					

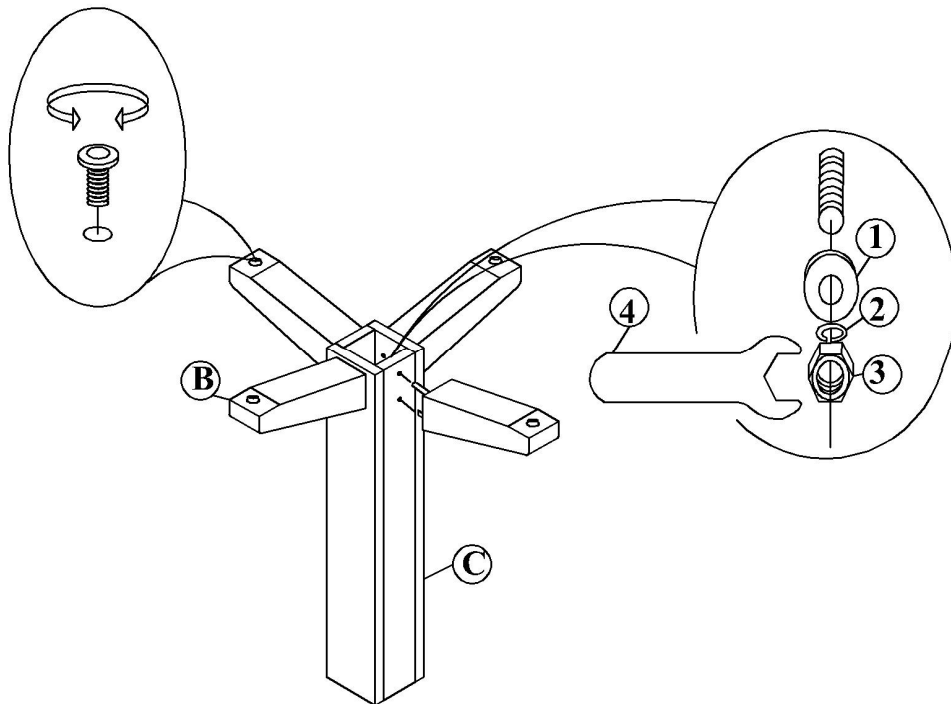
HARDWARE LIST

When unpacking, please be careful not to discard any parts with the packaging. Before continuing, please make sure you have all of the following hardware:

NO	Description	Qty	Sketch	NO	Description	Qty	Sketch
1	Large Flat Washer ($\Phi 8.5 \times \Phi 19 \text{mm}$)	4		2	Large Lock Washer ($\Phi 8.5 \times \Phi 13 \text{mm}$)	4	
3	Hexagon Nut (M8 x 13mm)	4		4	Wrench (13mm)	1	
5	Small Flat Washer ($\Phi 6.5 \times \Phi 13 \text{mm}$)	4		6	Small Lock Washer ($\Phi 6.5 \times 11 \text{mm}$)	12	
7	Medium Flat Washer ($\Phi 6.5 \times \Phi 19 \text{mm}$)	8		8	Bolt (M6x45mm)	12	
9	Allen Key (M4 x 80mm)	1					

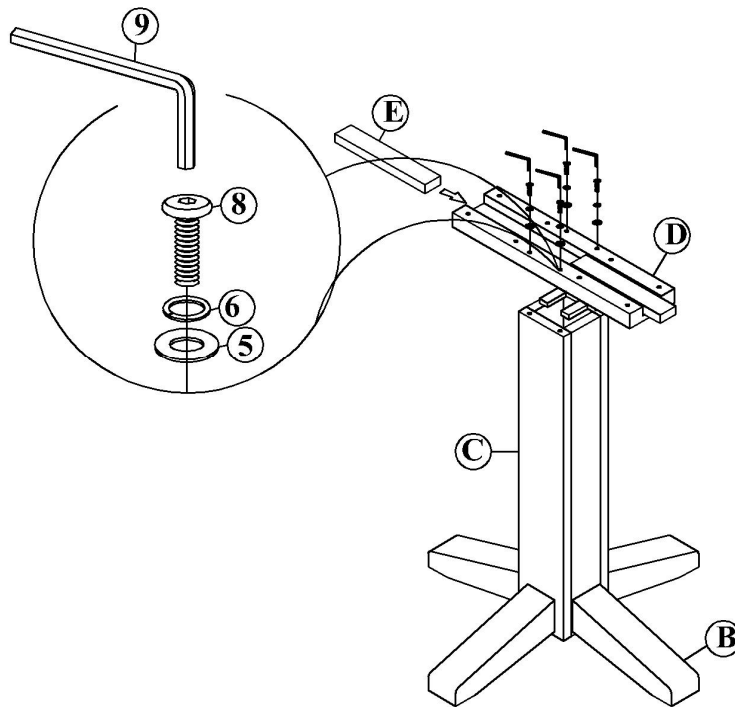
STEP 1

Attach Legs (B) to pedestal (C) with Nuts (3), and Washers (2) and (1). Tighten with the Wrench (4) as shown below.



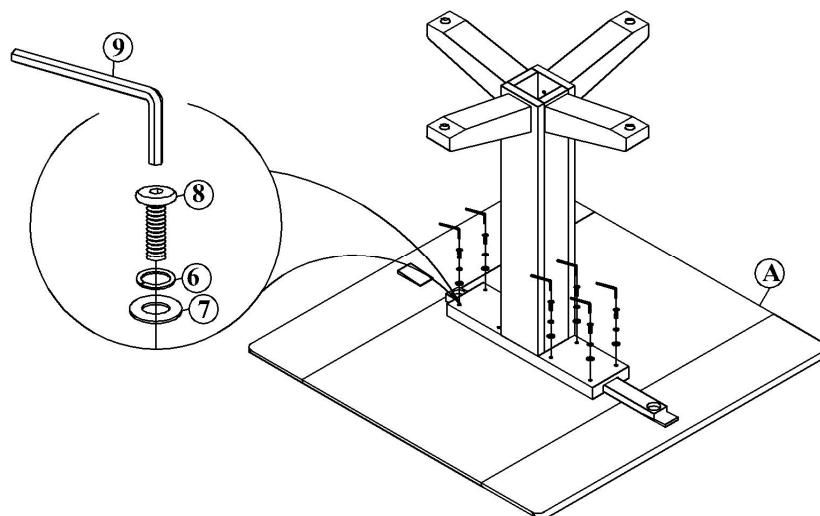
STEP 2

Attach the mouting plate (D) on top of the pedestal (C) with washers (5) and (6), and bolts (8), as shown below. Tighten with the Allen key (9).
Insert the wood slides (E) into the groove of the mouting plate.



STEP 3

Carefully place the pedestal on the bottom side of the table top. Attach the top (A) to mounting plate with bolts (8), and washers (6) and (7). Tighten with the Allen key (9)



STEP 4

Hold the dropleaf push and slide the wooden piece from underneath the table top . To lower the dropleaf, carefully hold the dropleaf with one hand and slide the wooden piece from underneath the table top towards the center of the top. Then, gently lower the leaf and place in the down position.

