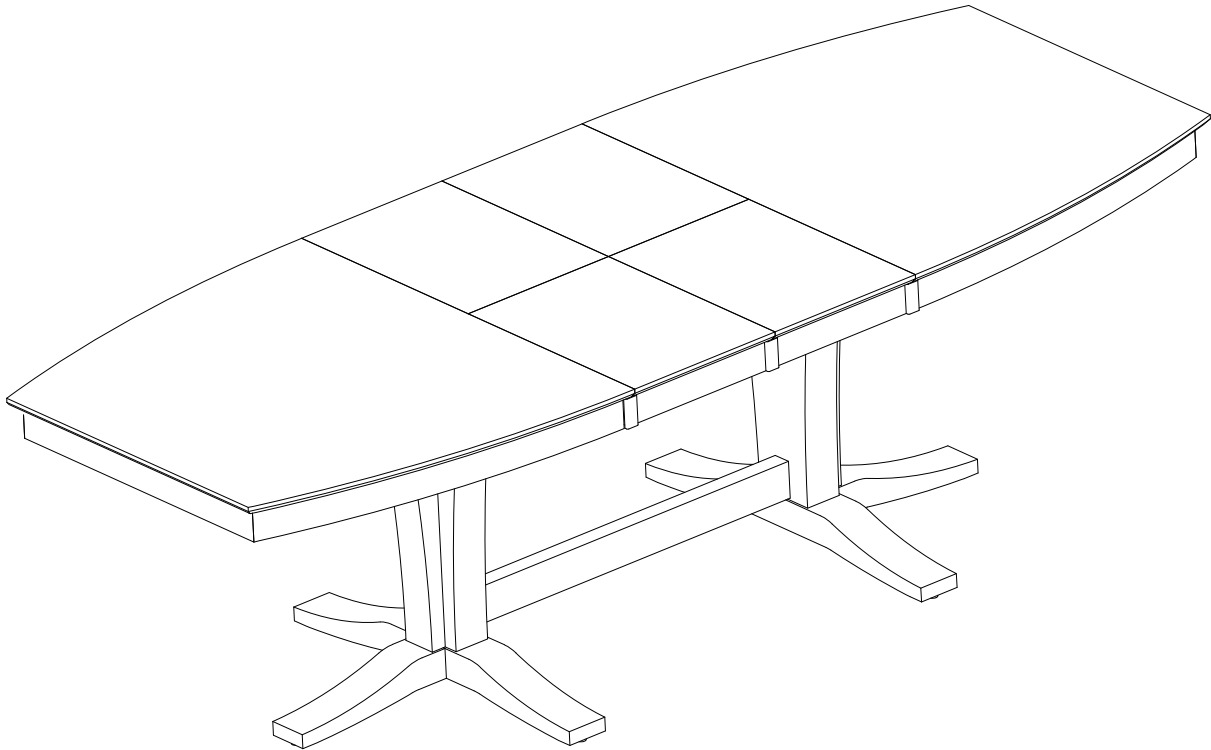


ASSEMBLY INSTRUCTIONS



Description : MILANO TABLE TOP & MILANO TABLE BASE
Item No :T-4096XXT AND T-4096XXB

ITEM NO : T-4096XXT AND T-4096XXB
REVISED DEC 23, 2014

Printed in Vietnam

BEFORE ASSEMBLY

Thank you for purchasing this quality product. This product has been designed for easy assembly and constructed for durability. All parts were checked prior to packaging to insure quality. Prior to beginning assembly, however, make sure all parts and hardware are included and free of obvious defect. If a part is missing or defective, please contact the store where purchased. If hardware is missing, or you need help with assembly, please call toll free 888-944-8396.

IMPORTANT NOTE:

- Place all wooden parts on a clean and smooth surface such as a rug or carpet to avoid the parts from being scratched.
- Remove all wrapping material, including staples & packing straps before you start to assemble.
- DO NOT tighten all screws and bolts until completely assembled.
- Keep all hardware parts out of reach of children.

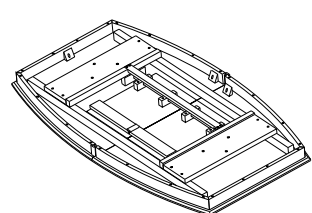
WARNING:

Long exposure to rubber or soft plastic may cause a chemical reaction and damage the finish of your table. Protect the surface of the table with cloth if you are using any product with rubber feet or base.



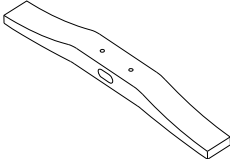
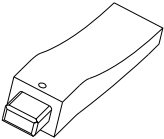

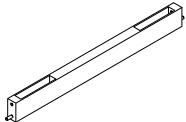
PART LIST T-4096XXT

When unpacking, please be careful not to discard any parts with the packaging. Before continuing, please make sure you have the following parts:

NO	Description	Qty	Sketch	NO	Description	Qty	Sketch
A	Top	1					





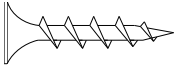
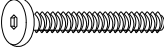
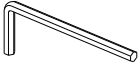

PART LIST T-4096XXB

When unpacking, please be careful not to discard any parts with the packaging. Before continuing, please make sure you have the following parts:

NO	Description	Qty	Sketch	NO	Description	Qty	Sketch
B	Long leg	2		C	Short leg	2	
D	Pedestal column	2		E	Crossbar	1	

HARDWARE LIST

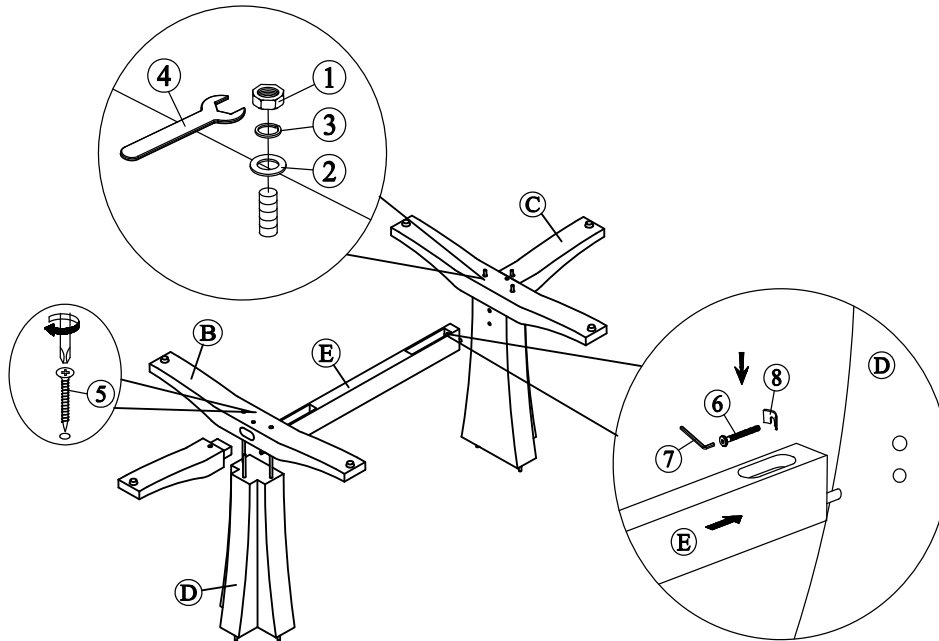
When unpacking, please be careful not to discard any parts with the packaging. Before continuing, please make sure you have all of the following hardware:

NO	Description	Qty	Sketch	NO	Description	Qty	Sketch
1	Hexagon nut (M8x13mm)	12		2	Flat washer (Φ8.5x19mm)	12	
3	Lock washer (Φ8.5x11mm)	12		4	Wrench (M13mm)	1	
5	Wood screw (M4x30mm)	4		6	Bolt (M8x70mm)	2	
7	Allen key (4x80mm)	1		8	U-washer (M8)	2	

NOTE: HARDWARE IS PACKED IN CARTON T-4096XXB

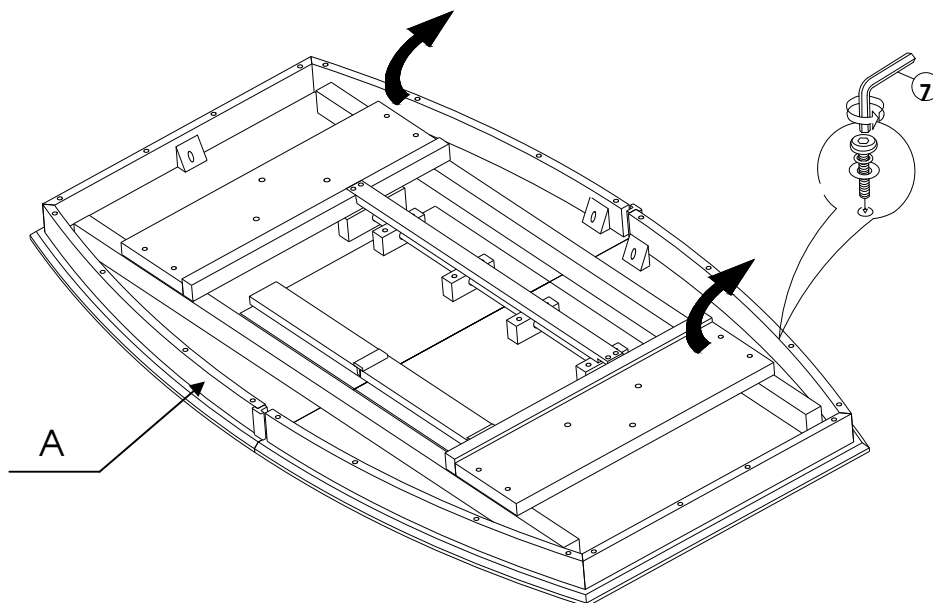
STEP 1

Attach crossbar (E) to pedestal columns (D) with bolts (6) and U-washers (8). Tighten with Allen key (7)
Attach legs (C) to legs (B) with screws (5). Tighten with a screwdriver.
Attach legs (B & C) to pedestal columns (D) with nuts (1), and washers (2) and (3) as shown below.
Tighten with the wrench (4).



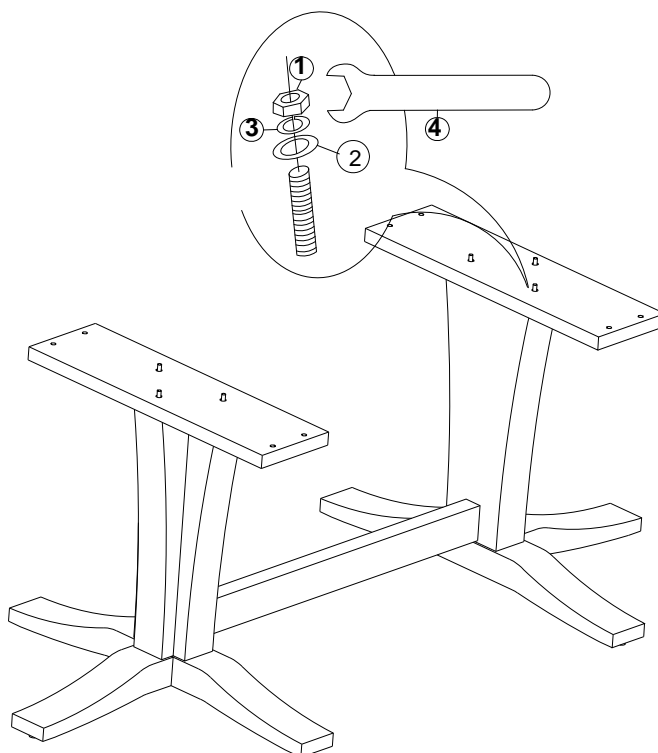
STEP 2

Use Allen key (7) to loosen bolts and washers and take out the mounting plates.



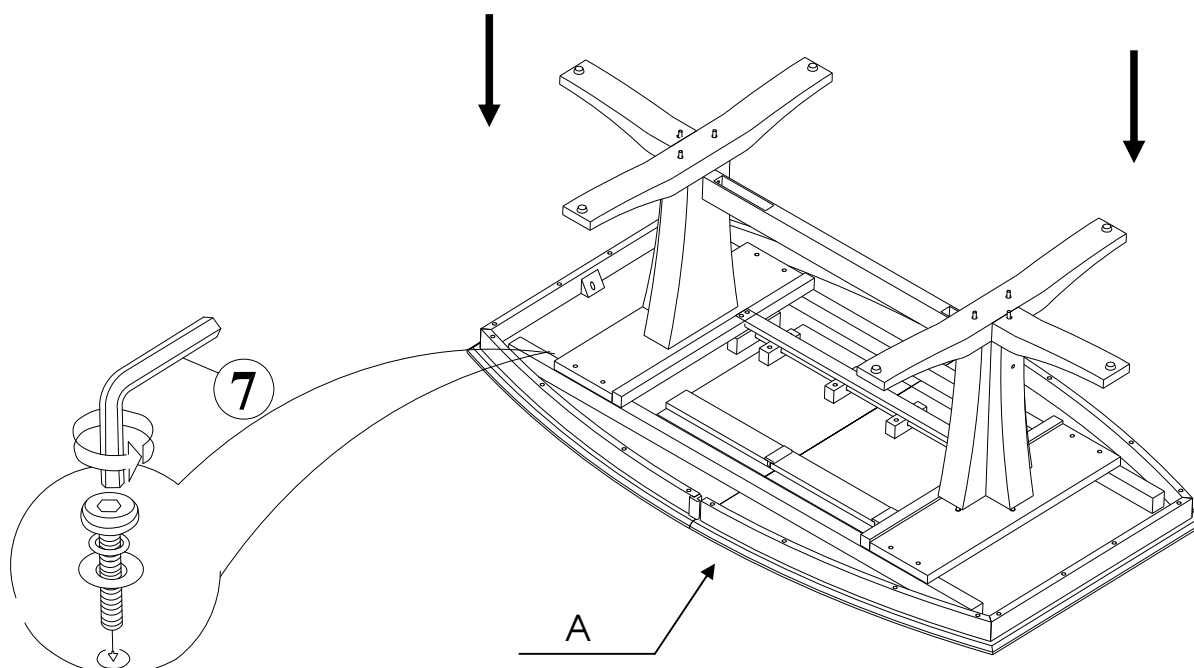
STEP 3

Attach mounting plates to top of the pedestals (D) with nuts (1), and washers (2) and (3). Tighten with wrench (4) as shown below.



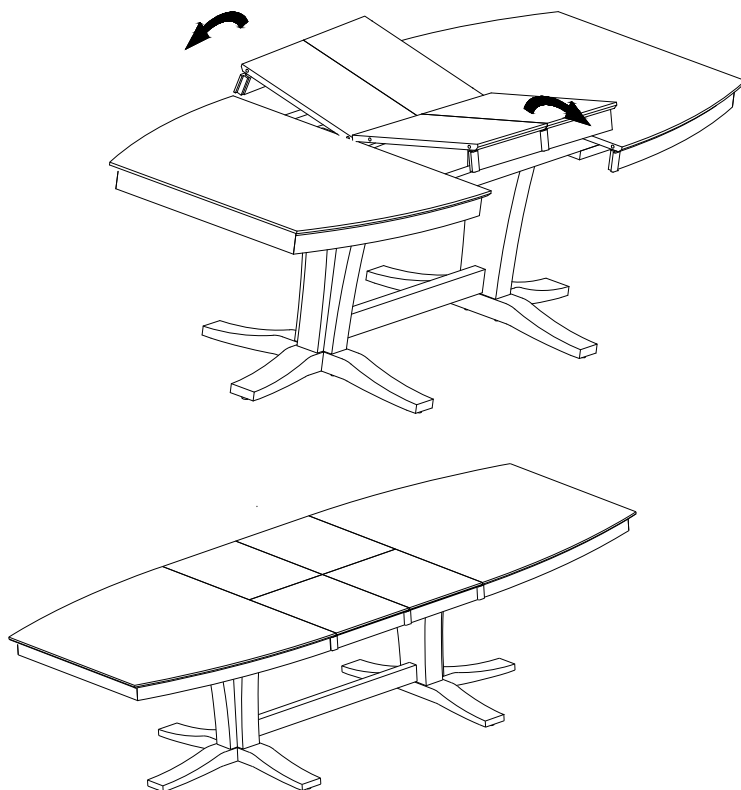
STEP 4

Carefully place the base (from Step 3) on the bottom side of top (A). Attach mounting plates to top (A) with bolts and washers (from Step 2). Tighten with Allen key (7).



STEP 5

Unlock the table top from both sides underneath the top. Pull the 2 parts of the table top apart. Place the leaves in the center of the open table top. Push the table top closed.



STEP 6

Lock the mechanism underneath 2 sides of the table top as shown below. Lock steel slide of the table top by pressing it down as shown below.

