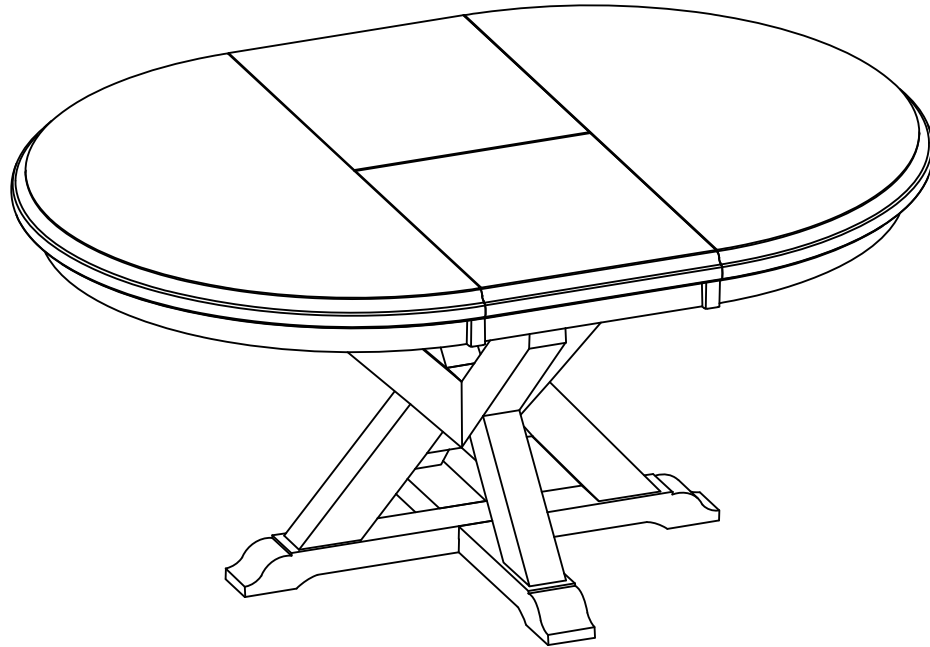


# ASSEMBLY INSTRUCTIONS

---



---

Description : CANYON PEDESTAL EXTENSION TABLE  
Item No. : T-4818XBT AND T-4818XP

ITEM NO.: T-4818XBT AND T-4818XP  
ISSUED AUG 08, 2015

Printed in Vietnam  
THIS ITEM IS PACKED IN TWO CARTONS

## BEFORE ASSEMBLY

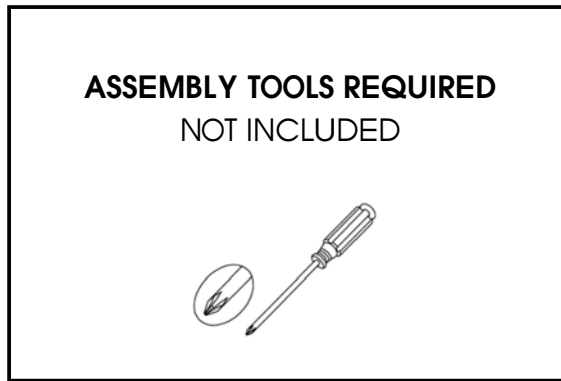
Thank you for purchasing this quality product. This product has been designed for easy assembly and constructed for durability. All parts were checked prior to packaging to insure quality. Prior to beginning assembly, however, make sure all parts and hardware are included and free of obvious defect. If a part is missing or defective, please contact the store where purchased. If hardware is missing, or you need help with assembly, please call toll free 888-944-8396.

**IMPORTANT NOTE:**

- Place all wooden parts on a clean and smooth surface such as a rug or carpet to avoid the parts from being scratched.
- Remove all wrapping material, including staples & packing straps before you start to assemble.
- DO NOT tighten all screws and bolts until completely assembled.
- Keep all hardware parts out of reach of children.

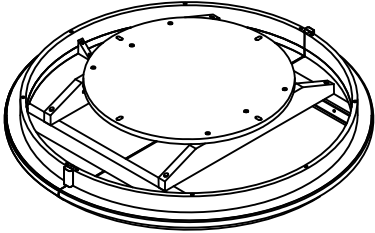
**WARNING:**

Long exposure to rubber or soft plastic may cause a chemical reaction and damage the finish of your table. Protect the surface of the table with cloth if you are using any product with rubber feet or base.



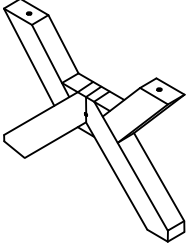
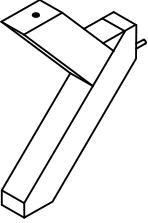
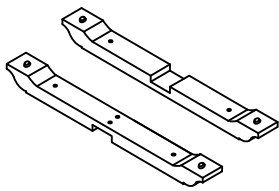
## PART LIST T-4818XBT

When unpacking, please be careful not to discard any parts with the packaging. Before continuing, please make sure you have the following parts:

NO	Description	Qty	Sketch	NO	Description	Qty	Sketch
A	Top	1					

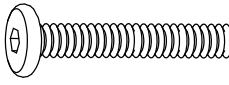

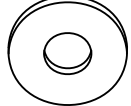


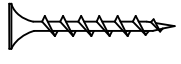
## PART LIST T-4818XP

When unpacking, please be careful not to discard any parts with the packaging. Before continuing, please make sure you have the following parts:

NO	Description	Qty	Sketch	NO	Description	Qty	Sketch
B	Pedestal Center	1		C	Pedestal Side	2	
D	Leg	2					

## HARDWARE LIST

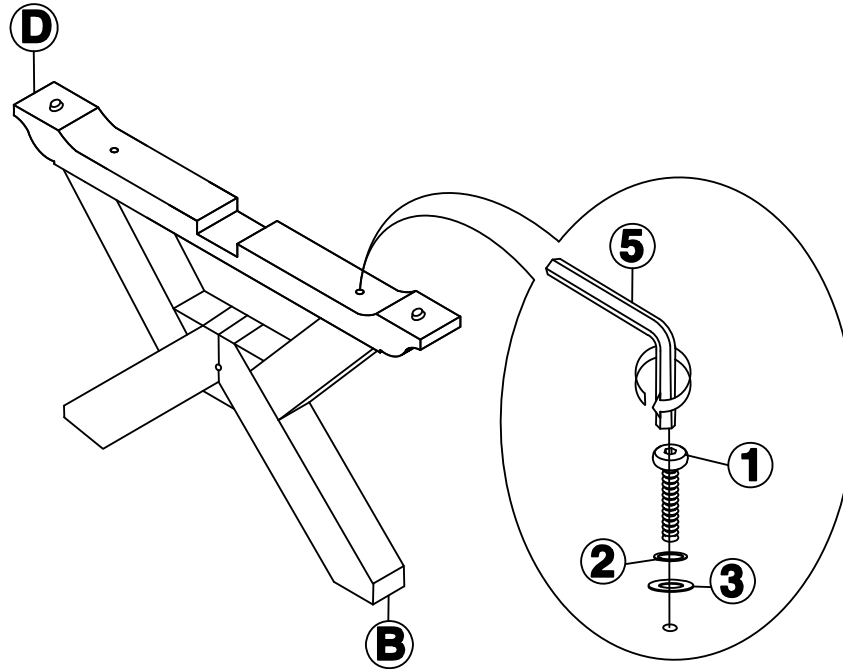
When unpacking, please be careful not to discard any parts with the packaging. Before continuing, please make sure you have all of the following hardware:

NO	Description	Qty	Sketch	NO	Description	Qty	Sketch
1	Long Bolt (M8x80mm)	4		2	Lock washer ( $\Phi 8.5 \times \Phi 13$ mm)	8	
3	Flat washer ( $\Phi 8.5 \times \Phi 22$ mm)	8		4	Short Bolt (M8x45mm)	4	
5	Allen Key (4x80mm)	1		6	Long screw (M4x40 mm)	2	

**NOTE: HARDWARE IS PACKED IN CARTON T-4818XP**

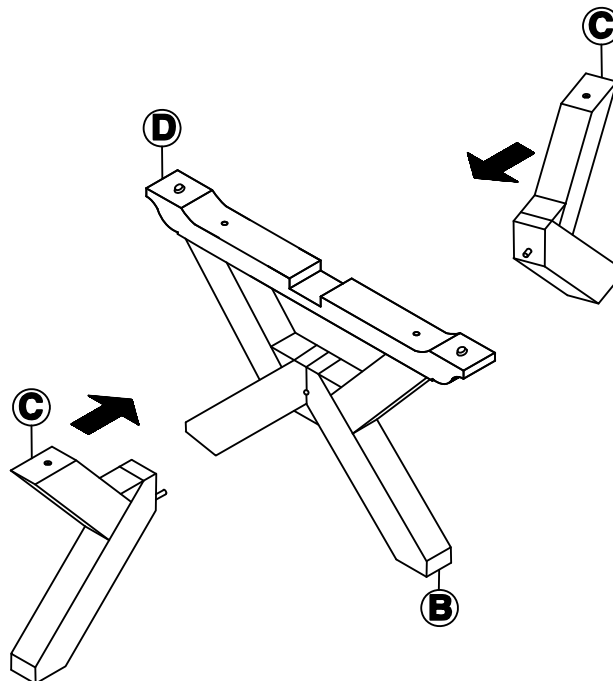
## STEP 1

Attach the leg (D) to the pedestal (B) with long bolts (1) and washers (2) and (3), as shown below. Tighten with the Allen key (5).



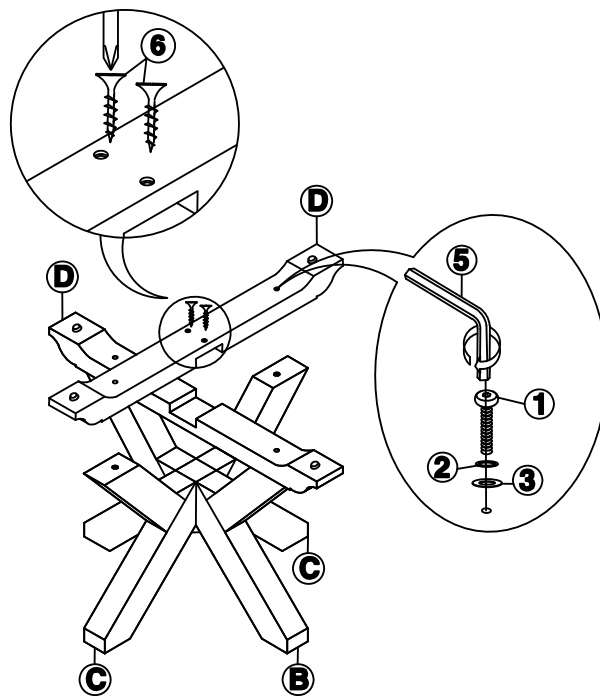
## STEP 2

Insert the pedestals (C) to the pedestal (B) as shown below.



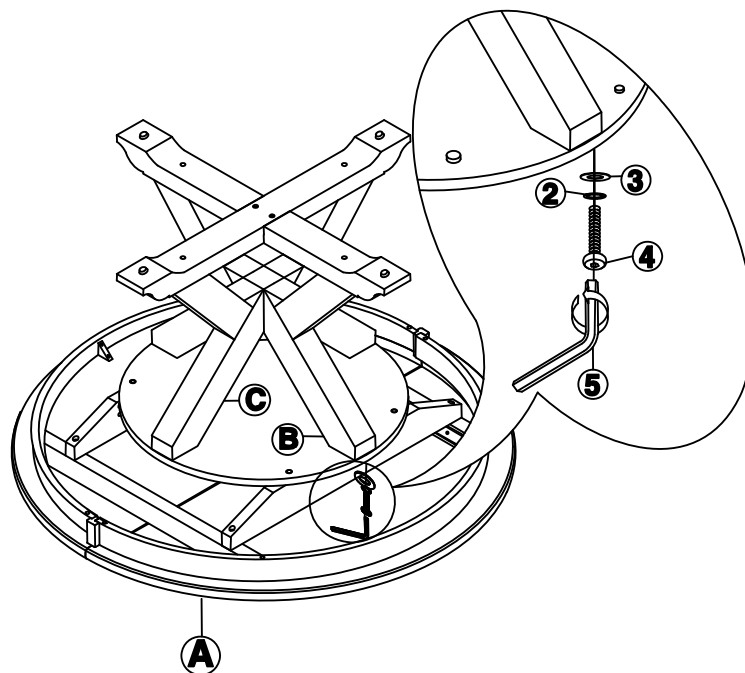
## STEP 3

Attach the leg (D) to the pedestals (C) with long bolts (1) and washers (2) and (3) as shown below. Tighten with the Allen key (5). Then attach legs (D) with screws (6) as shown below. Tighten with the screwdriver.



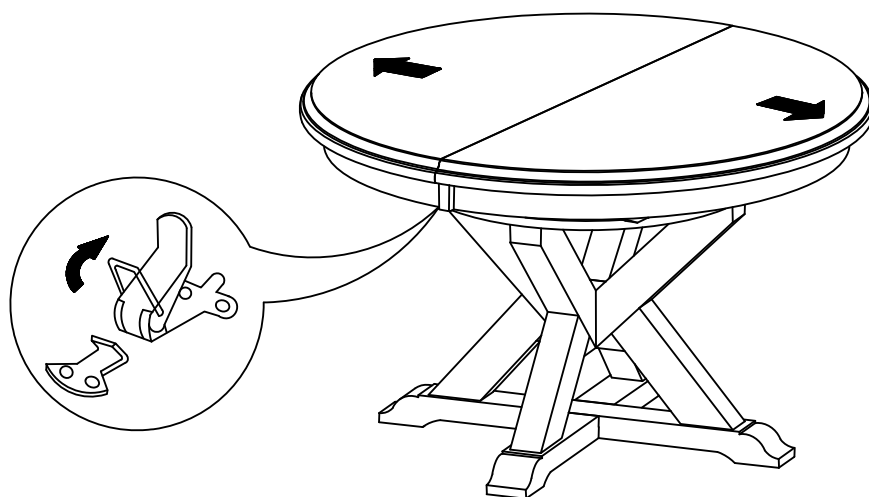
## STEP 4

Carefully put the pedestal block on the bottom side of the table top (A), attach the top to plate with short bolts (4) and washers (2) and (3) as shown below. Tighten with the Allen key (5).



## STEP 5

Unlock the table top from both sides underneath the top as shown below.  
Pull the 2 parts of the table top apart.



## STEP 6

Place the butterfly leaf in the center of the open table top. Push the table top closed. Lock the mechanism underneath 2 sides of the table top as shown below.

