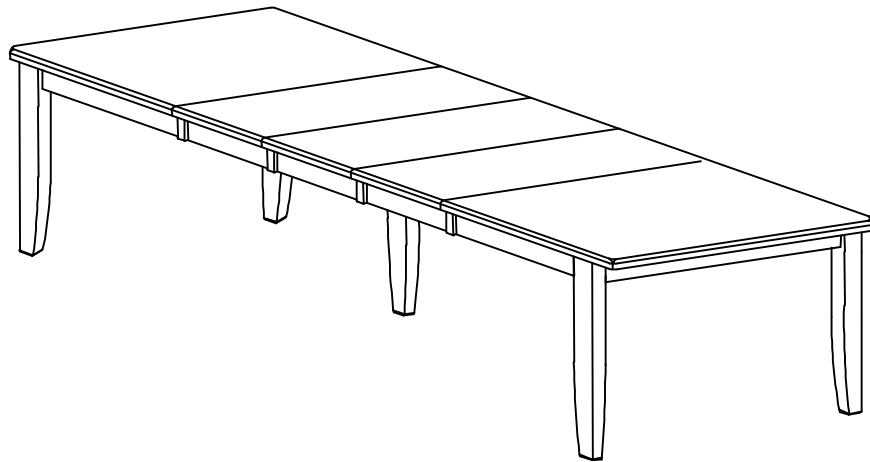
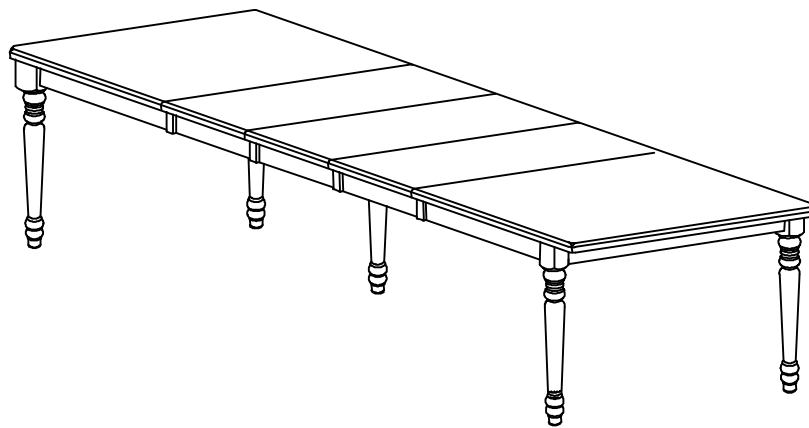


ASSEMBLY INSTRUCTIONS



T-42120XXT/T-53B



T-42120XXT/T-51B

Description : 42X68X84X102X120 TABLE TOP
Item No. : T-42120XXT AND T-51B OR T-53B
(PACKED IN SEPARATE BOX)

ITEM NO. : T-42120XXT AND T-51B OR T-53B
REVISED OCT 25, 2014

Printed in Vietnam

THE HARDWARE REQUIRED TO ATTACH THE LEGS IS PACKED WITH THE LEGS

BEFORE ASSEMBLY

Thank you for purchasing this quality product. This product has been designed for easy assembly and constructed for durability. All parts were checked prior to packaging to insure quality. Prior to beginning assembly, however, make sure all parts and hardware are included and free of obvious defect. If a part is missing or defective, please contact the store where purchased. If hardware is missing, or you need help with assembly, please call toll free 888-944-8396.

IMPORTANT NOTE:

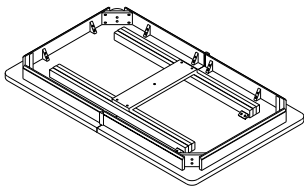

- Place all wooden parts on a clean and smooth surface such as a rug or carpet to avoid the parts from being scratched.
- Remove all wrapping material, including staples & packing straps before you start to assemble.
- DO NOT tighten all screws and bolts until completely assembled.
- Keep all hardware parts out of reach of children.

WARNING:

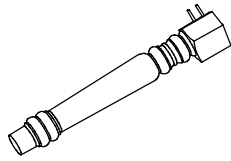
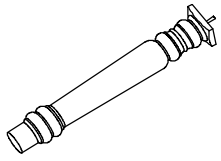
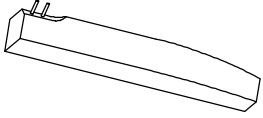

Long exposure to rubber or soft plastic may cause a chemical reaction and damage the finish of your table. Protect the surface of the table with cloth if you are using any product with rubber feet or base.

PARTS LIST TOP

When unpacking, please be careful not to discard any parts with the packaging. Before continuing, please make sure you have the following parts:

NO	Description	Q'ty	Sketch	NO	Description	Q'ty	Sketch
A	Top	1		B	Extension Leaf	3	

PARTS LIST LEGS T-51B OR T-52B OR T-53B

NO	Description	Qty	Sketch	NO	Description	Qty	Sketch
D	LEGS (T-51B)	4		E	CENTER LEGS (T-51B)	1	
D	LEGS (T-53B)	4		E	CENTER LEGS (T-53B)	1	




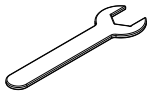
ITEM NO. : T-42120XXT AND T-51B OR T-53B
REVISED OCT 25, 2014

Printed in Vietnam

THE HARDWARE REQUIRED TO ATTACH THE LEGS IS PACKED WITH THE LEGS

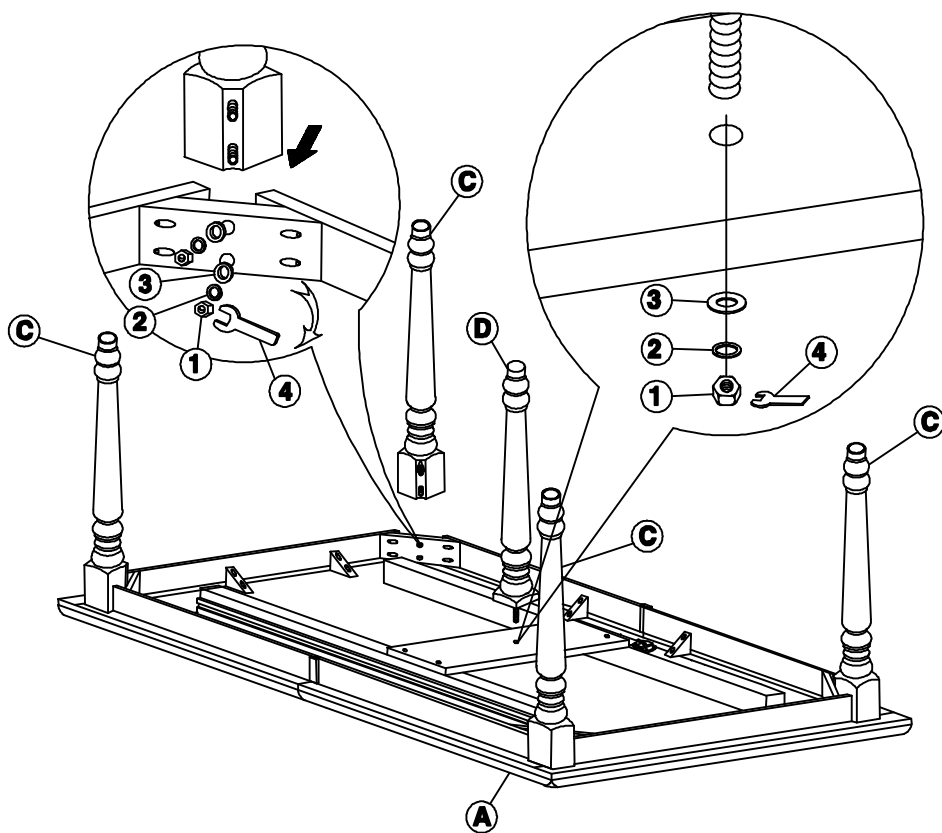
HARDWARE LIST

When unpacking, please be careful not to discard any parts with the packaging. Before continuing, please make sure you have all of the following hardware:

NO	Description	Q'ty	Sketch	NO	Description	Q'ty	Sketch
1	Hexagon nuts (M8x13mm)	9		2	Lock washer (Φ8.5xΦ13mm)	9	
3	Flat washer (Φ8.5xΦ19mm)	9		4	WRENCH (M8x13mm)	1	

STEP 1

Attach legs (C) and center leg (D) to top (A) with lock washers (2), flat washers (3) and hexagon nuts (1). Tighten with the wrench (4) as shown below.



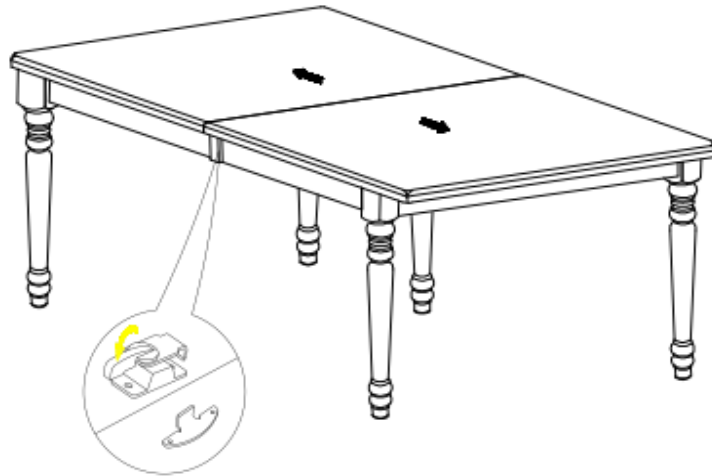
ITEM NO. : T-42120XXT AND T-51B OR T-53B
 REVISED OCT 25, 2014

Printed in Vietnam

THE HARDWARE REQUIRED TO ATTACH THE LEGS IS PACKED WITH THE LEGS

STEP 2

Unlock the table top from both sides underneath of the top as shown below.
Pull the 2 parts of the table top apart.



ITEM NO. : T-42120XXT AND T-51B OR T-53B
REVISED OCT 25, 2014

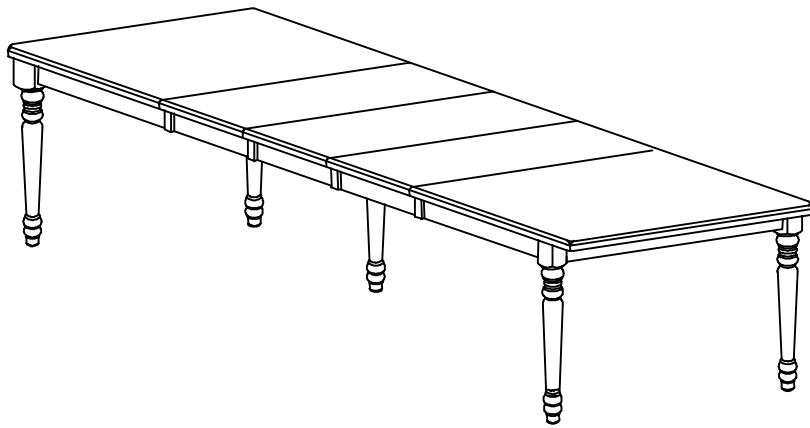
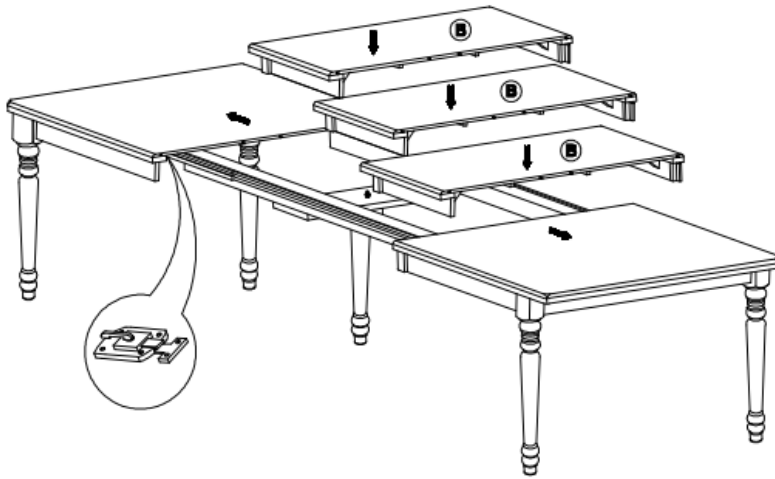
Printed in Vietnam

THE HARDWARE REQUIRED TO ATTACH THE LEGS IS PACKED WITH THE LEGS

STEP 3

Place the leaves (B) in the center of the top as shown below.

Push the table top closed. Lock the mechanism underneath 2 sides of the table top as shown below.



ITEM NO. : T-42120XXT AND T-51B OR T-53B
REVISED OCT 25, 2014

Printed in Vietnam

THE HARDWARE REQUIRED TO ATTACH THE LEGS IS PACKED WITH THE LEGS