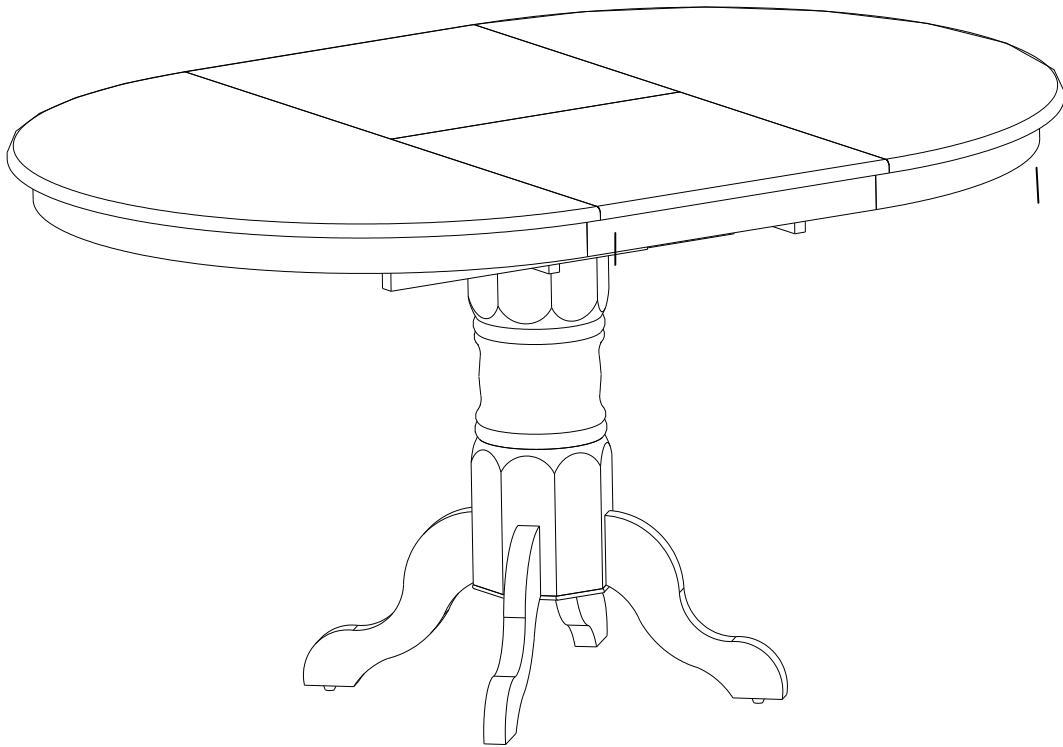


ASSEMBLY INSTRUCTIONS



Description : 42 X54 X 72 BUTTERFLY TABLE
Item No. : T-4218XBT and T-48XB

BEFORE ASSEMBLY

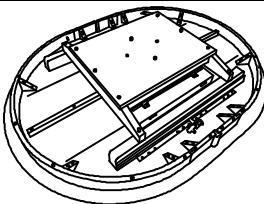
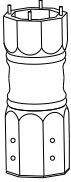
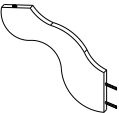
Thank you for purchasing this quality product. This product has been designed for easy assembly and constructed for durability. All parts were checked prior to packaging to insure quality. Prior to beginning assembly, however, make sure all parts and hardware are included and free of obvious defect. If a part is missing or defective, please contact the store where purchased. If hardware is missing, or you need help with assembly, please call toll free 888-944-8396.

IMPORTANT NOTE:

- Place all wooden parts on a clean and smooth surface such as a rug or carpet to avoid the parts from being scratched.
- Remove all wrapping material, including staples & packing straps before you start to assemble.
- DO NOT tighten all screws and bolts until completely assembled.
- Keep all hardware parts out of reach of children.



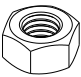
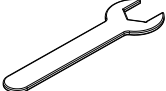
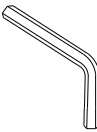
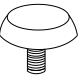
PART LIST

When unpacking, please be careful not to discard any parts with the packaging. Before continuing, please make sure you have the following parts:

| NO | Description | Qty | Sketch | NO | Description | Qty | Sketch |
|----|-------------|-----|---|----|-----------------|-----|--|
| A | Top | 1 |  | B | Pedestal column | 1 |  |
| C | Leg | 4 |  | | | | |

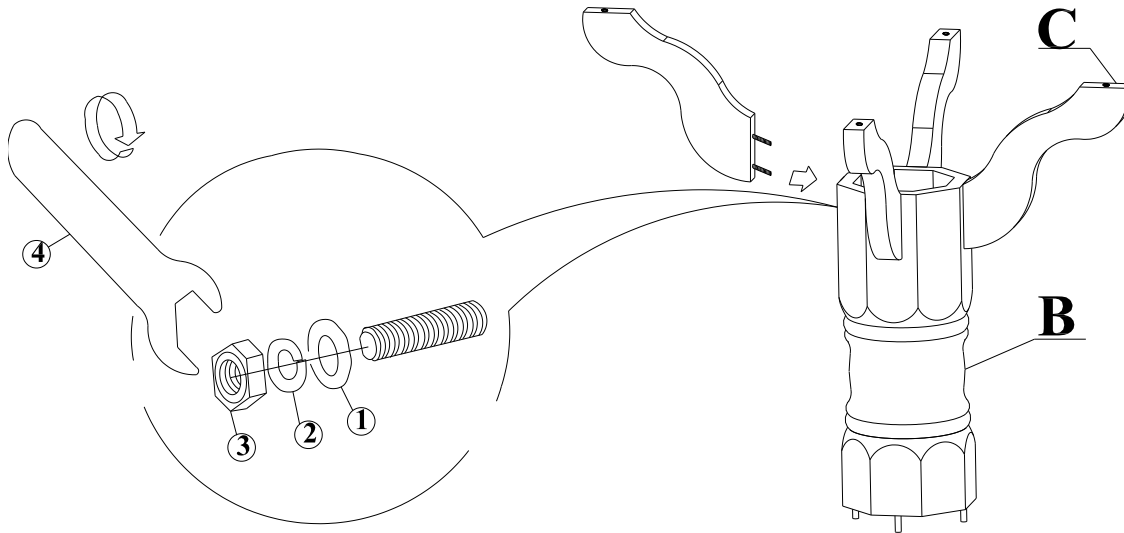
HARDWARE LIST

When unpacking, please be careful not to discard any parts with the packaging. Before continuing, please make sure you have all of the following hardware:

| NO | Description | Qty | Sketch | NO | Description | Qty | Sketch |
|----|--|-----|---|----|--|-----|---|
| 1 | Flat washer ($\Phi 8.5 \times \Phi 19 \text{mm}$) | 12 |  | 2 | Lock washer ($\Phi 8.5 \times \Phi 13 \text{mm}$) | 12 |  |
| 3 | Hexagon nut (M8x13mm) | 12 |  | 4 | Wrench (M13mm) | 1 |  |
| 5 | Allen key (4X80mm) | 1 |  | 6 | Height adjustable leveler (M6) | 4 |  |

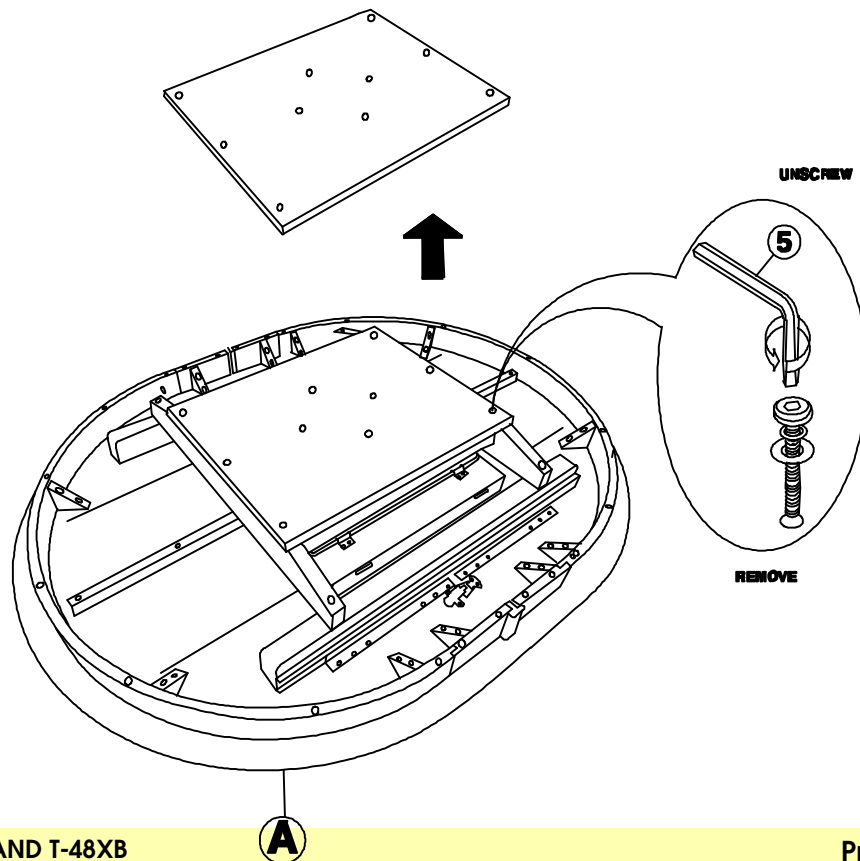
STEP 1

Attach Legs (C) to the pedestal (B) by using Nuts (3), and Washers (2) and (1). Tighten with the Wrench (4) as shown below.



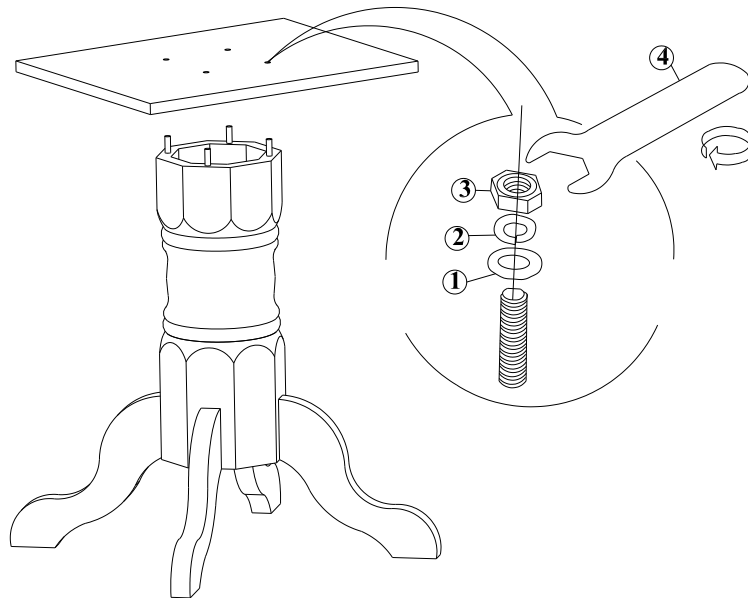
STEP 2

Use the Allen key (5) to remove the mounting plate underneath the table top (A) as shown below.



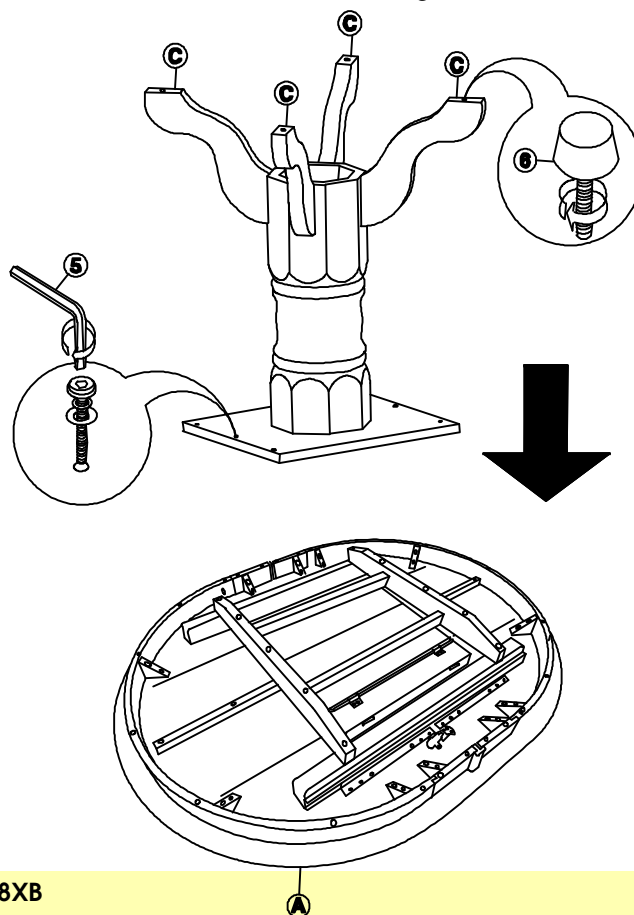
STEP 3

Attach the mouting plate to the pedestal column with washers (1), (2) and nuts (3). Tighten with the Wrench (4) as shown below.



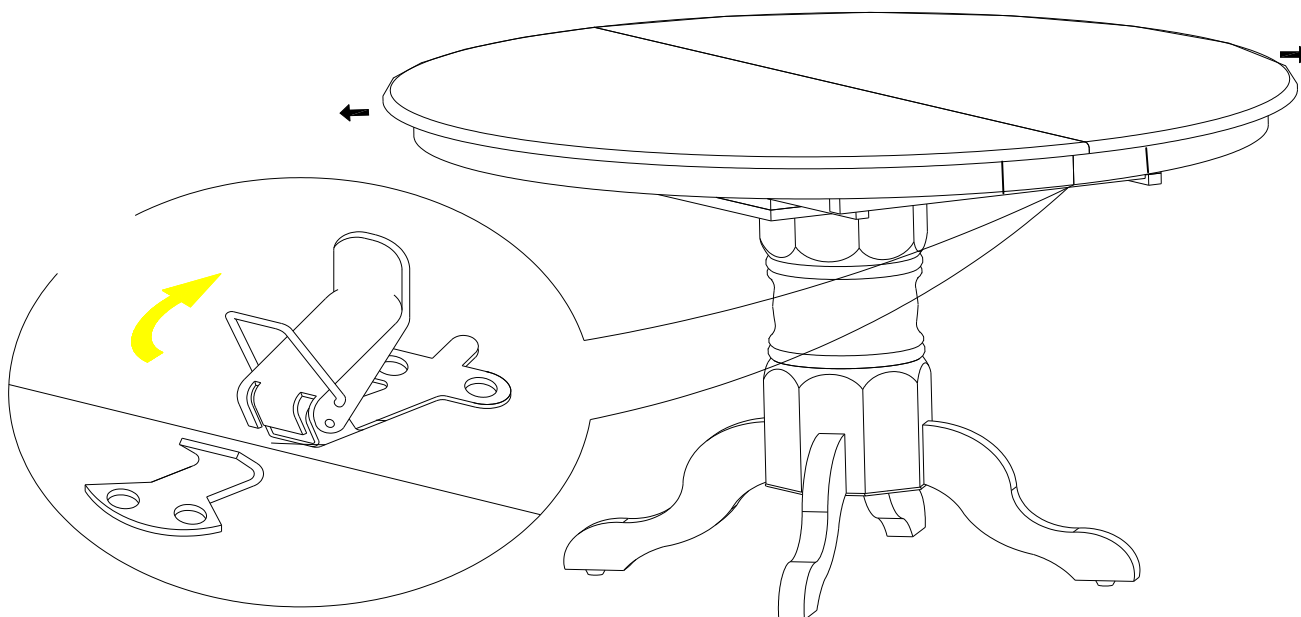
STEP 4

Carefully put the base (from step 3) on the bottom side of the table top, attach the top to the plate with bolts and washers (from step 2) and tighten with the Allen key (5). Assemble the height adjustable leveler (6) at bottom of legs (C).



STEP 5

Unlock the table top from both sides underneath of the top as shown below.
Pull the 2 parts of the table top apart.



STEP 6

Place the butterfly leaf in the center of open table top. Lock the mechanism underneath two sides of the table top as shown below.

