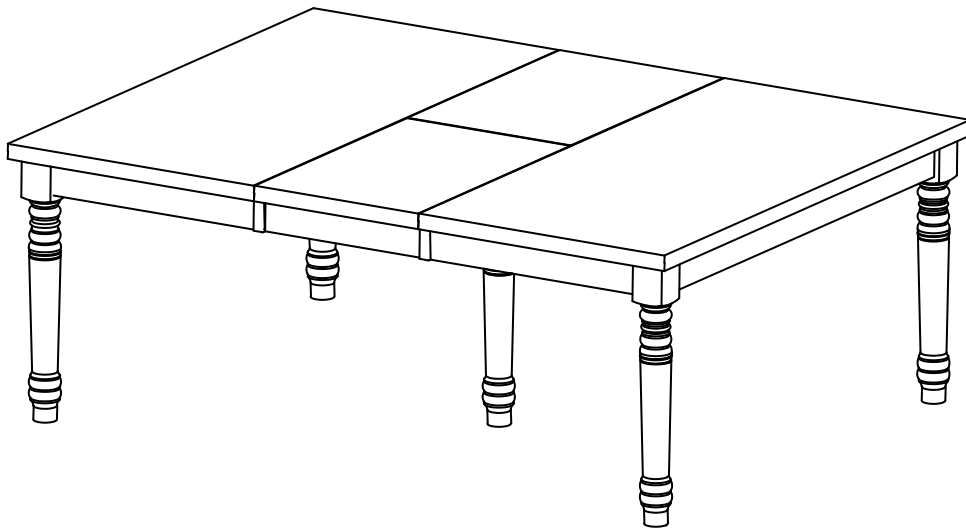
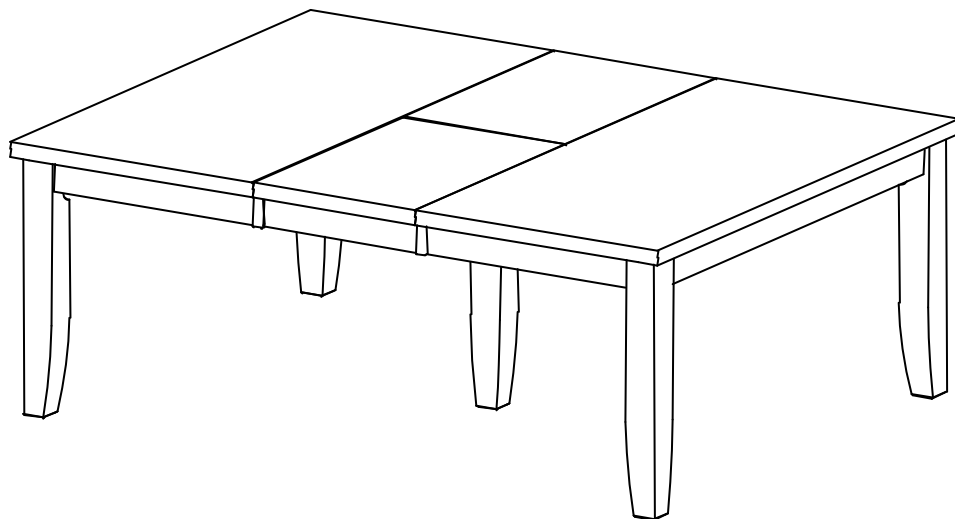


ASSEMBLY INSTRUCTIONS



T-6060XBT AND T-71B



T-6060XBT AND T-73B

Description : 60X60X80 BUTTERFLY TABLE TOP
Item No. : T-6060XBT AND T-71B OR T-73B
(PACKED IN SEPARATE BOX)

ITEM NO.: T-6060XBT AND T-71B OR T-73B
(PACKED IN SEPARATE BOX)

Printed in Vietnam

ISSUED JUL 05, 2016

BEFORE ASSEMBLY

Thank you for purchasing this quality product. This product has been designed for easy assembly and constructed for durability. All parts were checked prior to packaging to insure quality. Prior to beginning assembly, however, make sure all parts and hardware are included and free of obvious defect. If a part is missing or defective, please contact the store where purchased. If hardware is missing, or you need help with assembly, please call toll free 888-944-8396.

IMPORTANT NOTE:

- Place all wooden parts on a clean and smooth surface such as a rug or carpet to avoid the parts from being scratched.
- Remove all wrapping material, including staples & packing straps before you start to assemble.
- DO NOT tighten all screws, bolts until completely assembled.
- Keep all hardware parts out of reach of children.

WARNING:

Long exposure to rubber or soft plastic may cause a chemical reaction and damage the finish of your table. Protect the surface of the table with cloth if you are using any product with rubber feet or base.

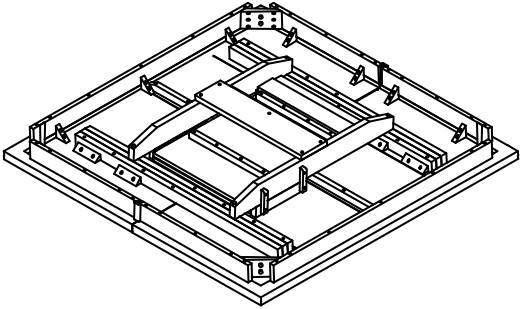
ITEM NO.: T-6060XBT AND T-71B OR T-73B
(PACKED IN SEPARATE BOX)

Printed in Vietnam

ISSUED JUL 05, 2016

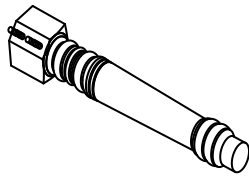
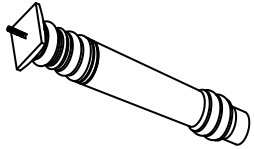
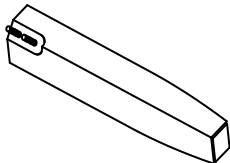
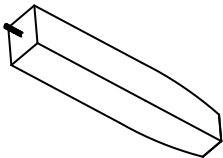
PART LIST T-6060XBT

When unpacking, please be careful not to discard any parts with the packaging. Before continuing, please make sure you have the following parts:

NO	Description	Qty	Sketch
A	Top	1	

PART LIST T-71B OR T-73B

When unpacking, please be careful not to discard any parts with the packaging. Before continuing, please make sure you have the following parts:

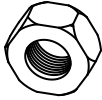
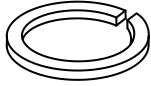
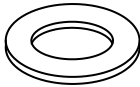
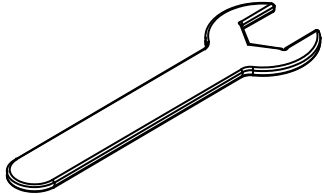
NO	Description	Qty	Sketch	NO	Description	Qty	Sketch
B	T-71B	4		C	CENTER LEG T-71B	1	
B	T-73B	4		C	CENTER LEG T-73B	1	

ITEM NO.: T-6060XBT AND T-71B OR T-73B
(PACKED IN SEPARATE BOX)
ISSUED JUL 05, 2016

Printed in Vietnam

HARDWARE LIST

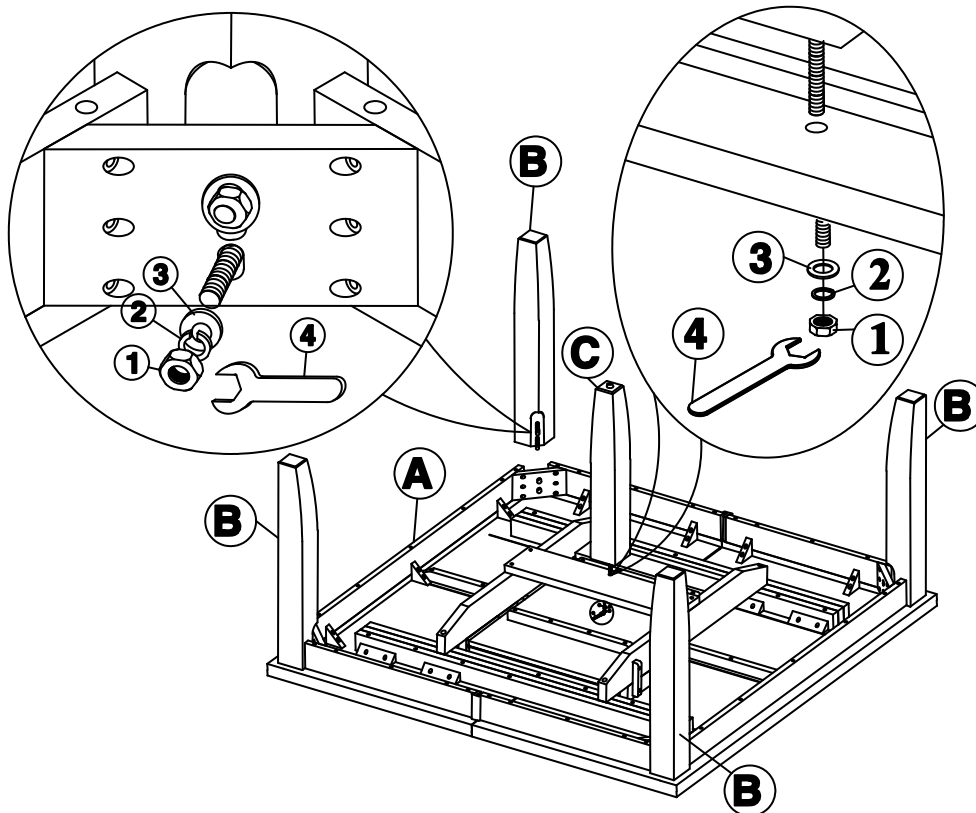
When unpacking, please be careful not to discard any parts with the packaging. Before continuing, please make sure you have all of the following hardware:

NO	Description	Qty	Sketch	NO	Description	Qty	Sketch
1	Hexagon nut (M8x13mm)	9		2	Lock washer ($\Phi 8.5 \times \Phi 13 \text{mm}$)	9	
3	Flat washer ($2 \times \Phi 8.5 \times \Phi 19 \text{mm}$)	9		4	Wrench (M13mm)	1	

NOTE: HARDWARE IS PACKED IN CARTON T-71B OR T-73B.

STEP 1

Attach legs (B) and (C) to the top (A) with washers (2) and (3), and nuts (1) as shown below. Tighten with the wrench (4).

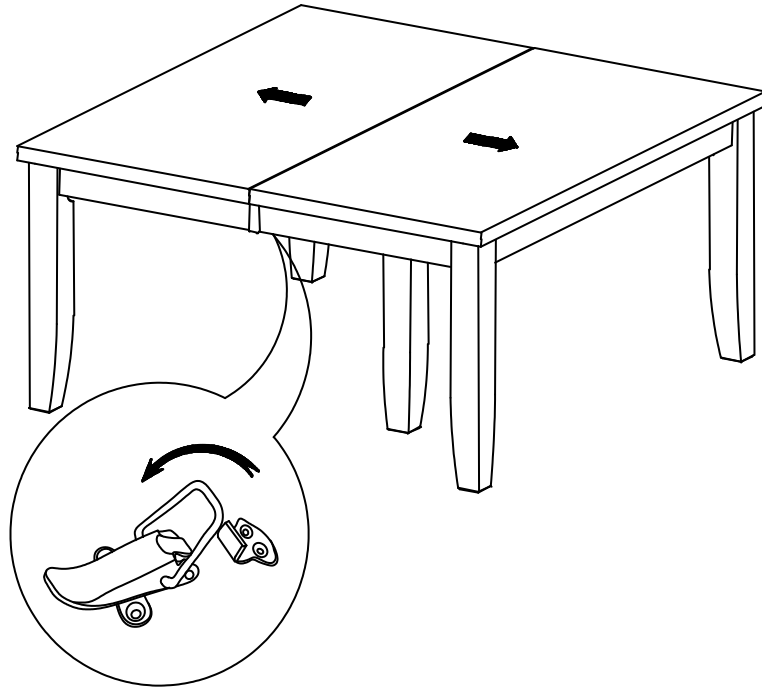


ITEM NO.: T-6060XBT AND T-71B OR T-73B
(PACKED IN SEPARATE BOX)
ISSUED JUL 05, 2016

Printed in Vietnam

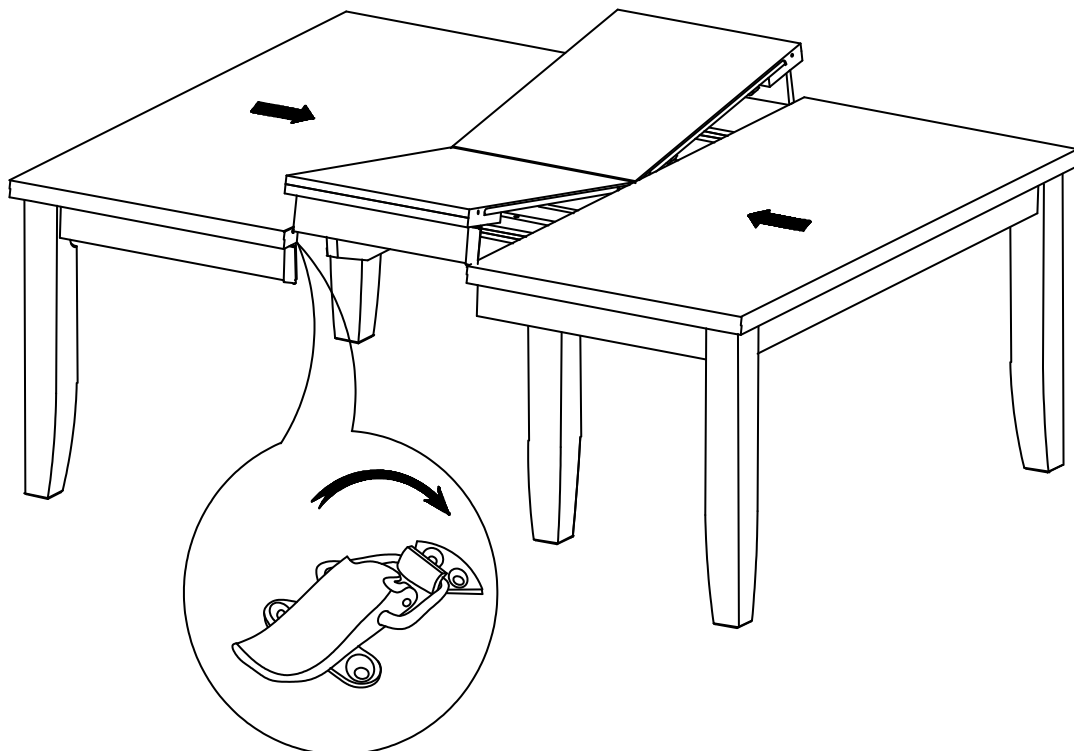
STEP 2

Unlock the table top from both sides underneath of the top as shown below.
Pull the 2 parts of the table top apart.



STEP 3

Place the leaf in the center of the open table top. Push the table top closed. Lock the mechanism underneath two sides of the table top as shown below.



ITEM NO.: T-6060XBT AND T-71B OR T-73B
(PACKED IN SEPARATE BOX)
ISSUED JUL 05, 2016

Printed in Vietnam