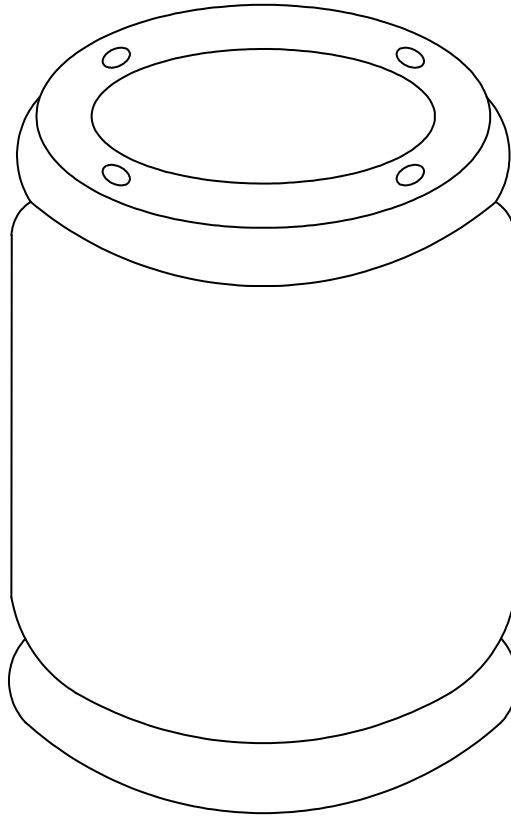


# ASSEMBLY INSTRUCTIONS

---



---

Description : 6 IN PEDESTAL EXTENSION  
Item No. : T-6P OR TXX-6B

## BEFORE ASSEMBLY

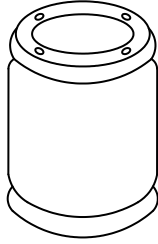
Thank you for purchasing this quality product. This product has been designed for easy assembly and constructed for durability. All parts were checked prior to packaging to insure quality. Prior to beginning assembly, however, make sure all parts and hardware are included and free of obvious defect. If a part is missing or defective, please contact the store where purchased. If hardware is missing, or you need help with assembly, please call toll free 888-944-8396

### IMPORTANT NOTE:

- Place all wooden parts on a clean and smooth surface such as a rug or carpet to avoid the parts from being scratched.
- Remove all wrapping material, including staples & packing straps before you start to assemble.
- DO NOT tighten all screws and bolts until completely assembled.
- Keep all hardware parts out of reach of children.




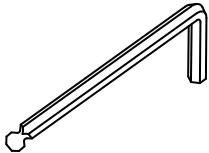
## PART LIST

When unpacking, please be careful not to discard any parts with the packaging. Before continuing, please make sure you have the following parts:

NO	Description	Qty	Sketch
E	Pedestal extension	1	

## HARDWARE LIST

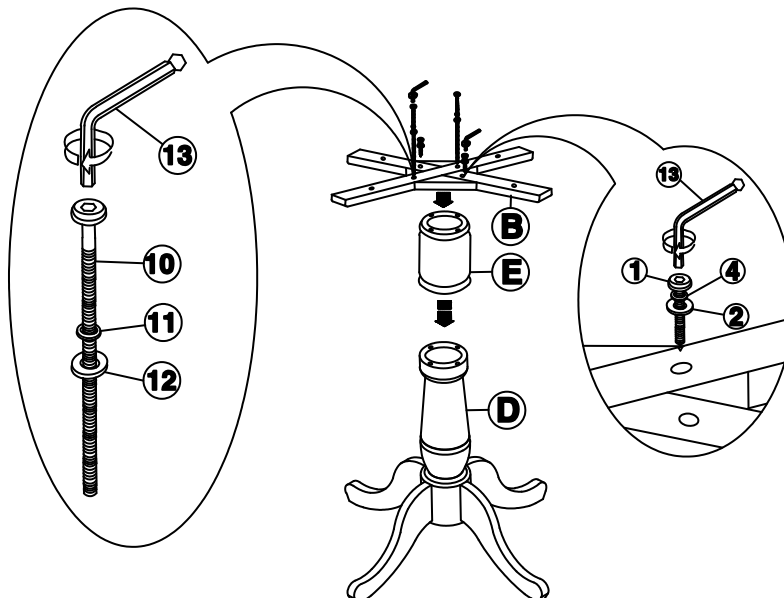
When unpacking, please be careful not to discard any parts with the packaging. Before continuing, please make sure you have all of the following hardware:

NO	Description	Qty	Sketch	NO	Description	Qty	Sketch
10	Long bolt (M6x190mm)	2		11	Lock washer (Φ6.5x11mm)	2	
12	Flat washer (Φ6.5x13mm)	2		13	Allen key (M4x30mmx120mm)	1	

## STEP 1

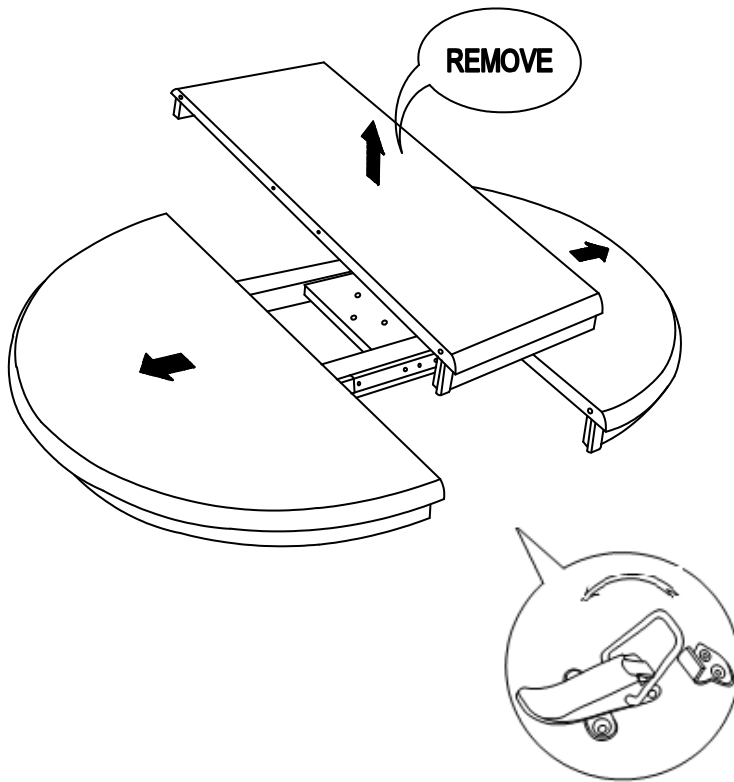
### T-6P GOES WITH T-30RT OR T-36RT OR T-42RT

Attach crossbar (B) and pedestal extension (E) to the column (D) with long bolts (10), short bolts (1), washers (2), (4), (11) and (12) as shown below. Tighten with Allen key (13).

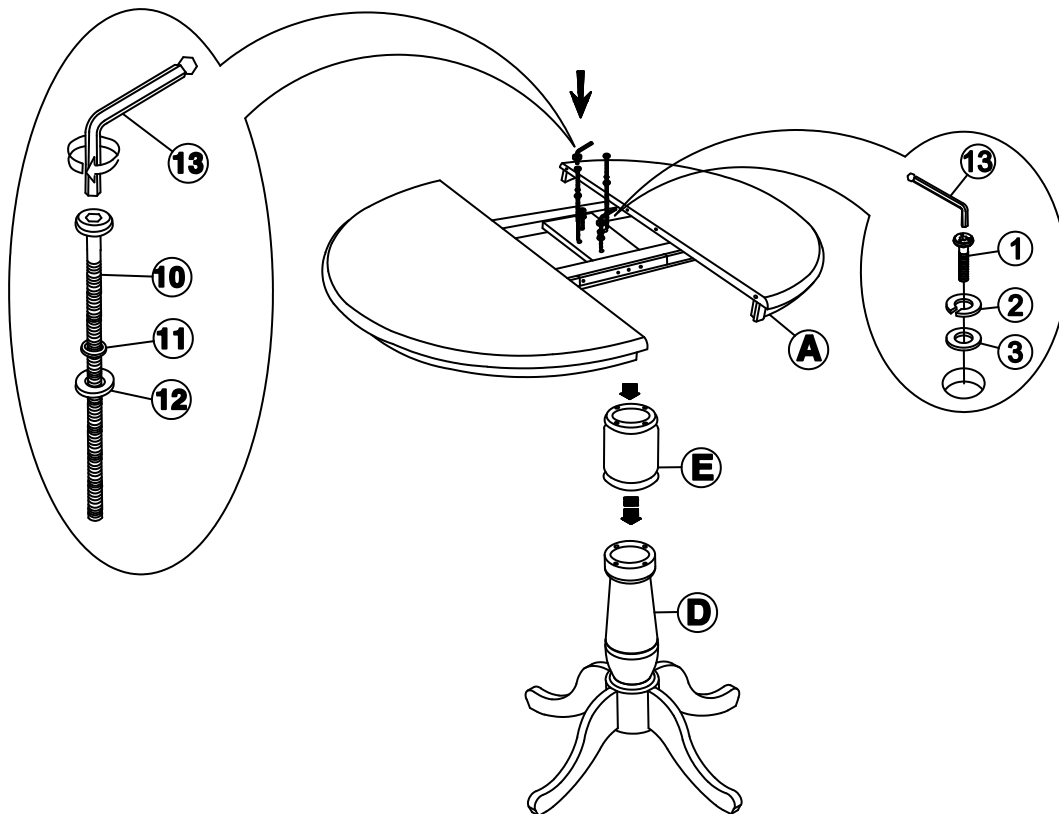


**T-6P GOES WITH T-36RXT**

Unlock the table top on both sides from underneath the top. Pull the 2 parts of the table top apart and remove the leaf as shown below.



Attach the top (A) and pedestal extension (E) to the column (D) with long bolts (10), short bolts (1), washers (2), (3), (11) and (12) as shown below. Tighten with Allen key (13).

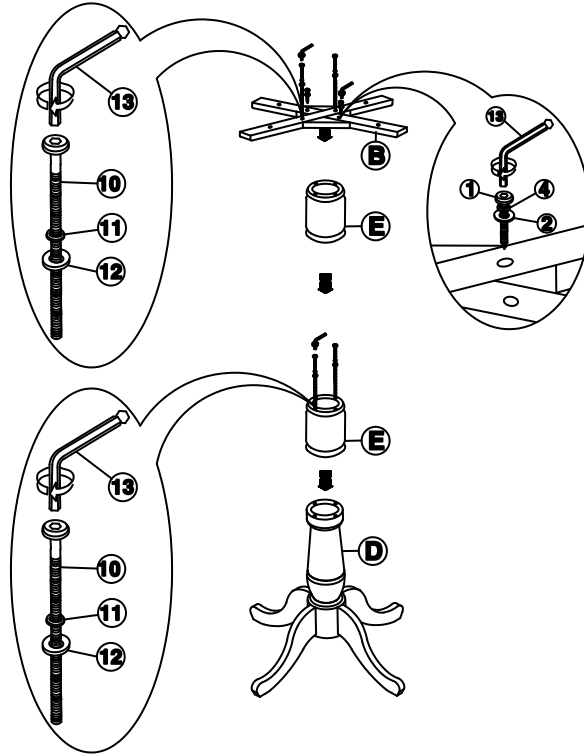


## STEP 2

Attach pedestal extension (E) to the column (D), with long bolts (10), washers (11) and (12) as shown below. Tighten with Allen key (13).

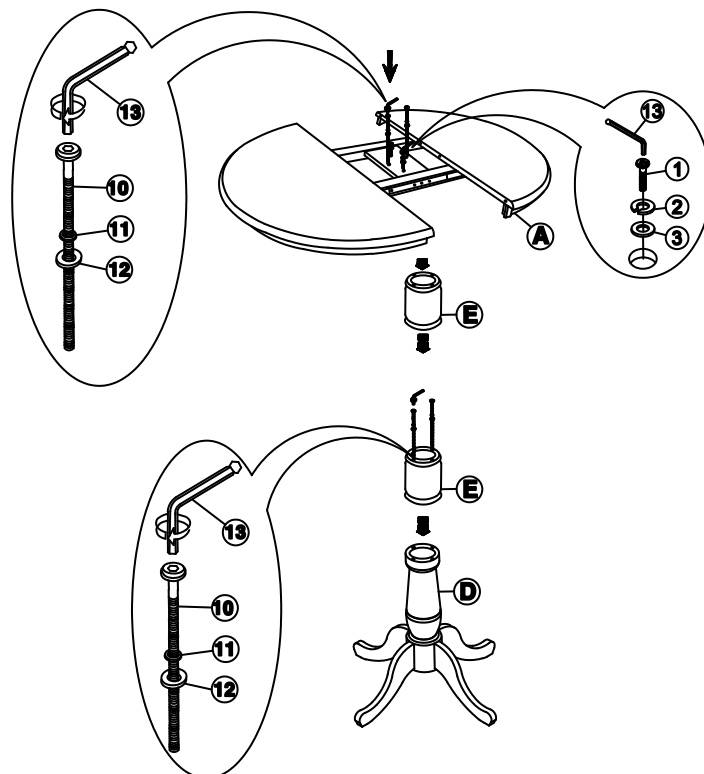
### T-6P GOES WITH T-30RT OR T-36RT OR T-42RT

Attach crossbar (B) and pedestal extension (E) to the column (D), with long bolts (10), short bolts (1), washers (2), (4), (11) and (12) as shown below. Tighten with Allen key (13).



### T-6P GOES WITH T-36RXT

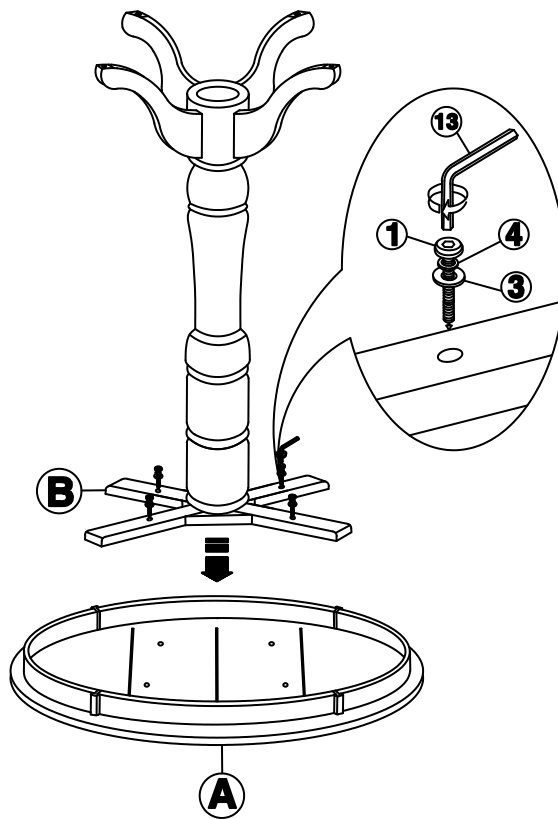
Attach the top (A) and pedestal extension (E) to the column (D), with long bolts (10), short bolts (1), washers (2), (3), (11) and (12) as shown below. Tighten with Allen key (13).



## STEP 3

### T-6P GOES WITH T-30RT OR T-36RT OR T-42RT

Carefully put the pedestal block on the bottom side of the table top, attach the top (A) to crossbar (B) with bolts (1), and washers (3) and (4) as shown below. Tighten with the Allen key (13).



### T-6P GOES WITH T-36RXT

Place the leaf in the center of the open table top. Push the table top closed. Lock the mechanism underneath 2 sides of the table top as shown below.

