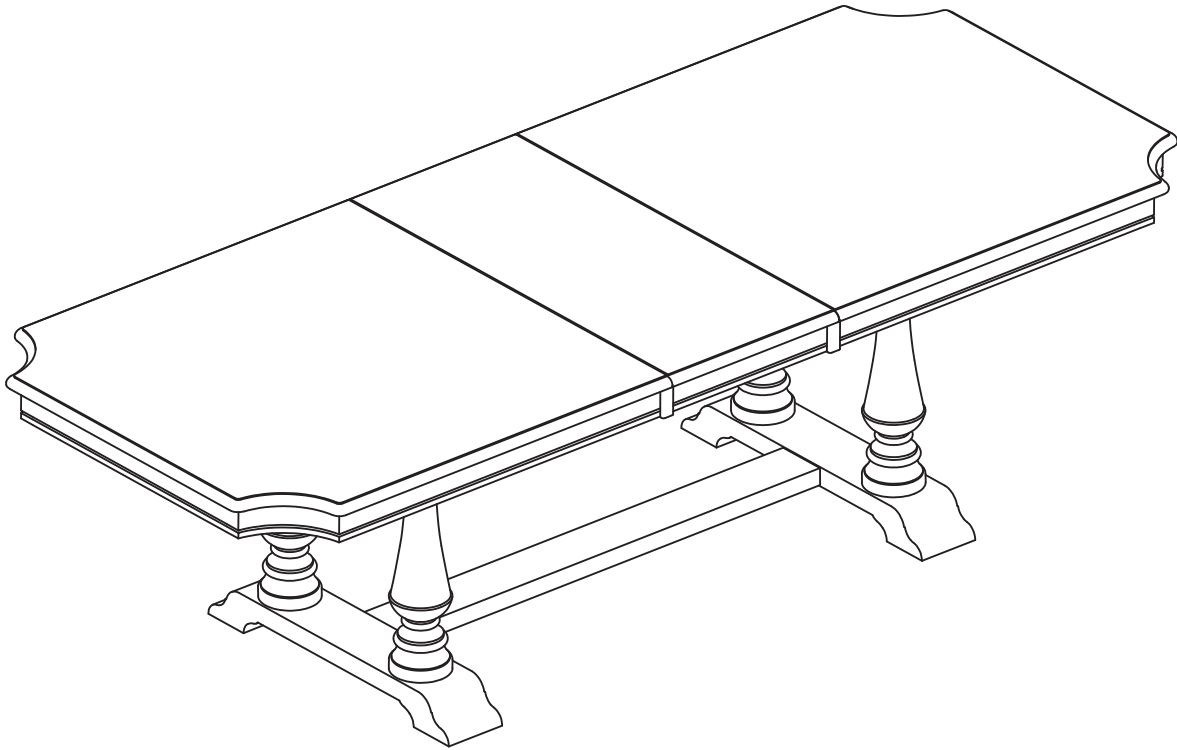


ASSEMBLY INSTRUCTIONS



Description : GROVE PARK 42X84X102 EXT TABLE
Item No. : T-4284XA AND T-4284XB

ITEM NO.: T-4284XA AND T-4284XB
ISSUED JUL 24, 2018

Printed in Vietnam
THIS ITEM IS PACKED IN 2 CARTONS

BEFORE ASSEMBLY

Thank you for purchasing this quality product. This product has been designed for easy assembly and constructed for durability. All parts were checked prior to packaging to insure quality. Prior to beginning assembly, however, make sure all parts and hardware are included and free of obvious defect. If a part is missing or defective, please contact the store where purchased. If hardware is missing, or you need help with assembly, please call toll free 888-944-8396.

IMPORTANT NOTE:

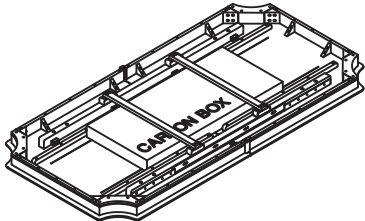
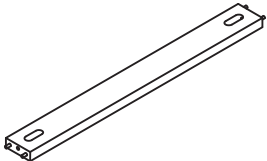
- Place all wooden parts on a clean and smooth surface such as a rug or carpet to avoid the parts from being scratched.
- Remove all wrapping material, including staples & packing straps before you start to assemble.
- DO NOT tighten all screws, bolts until completely assembled.
- Keep all hardware parts out of reach of children.

WARNING:

- Long exposure to rubber or soft plastic may cause a chemical reaction and damage the finish of your table. Protect the surface of the table with cloth if you are using any product with rubber feet or base.

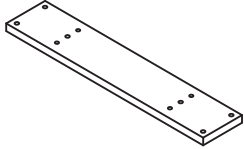

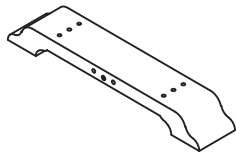
PART LIST T-4284XA

When unpacking, please be careful not to discard any parts with the packaging. Before continuing, please make sure you have the following parts:

NO	Description	Qty	Sketch	NO	Description	Qty	Sketch
A	Top	1		B	Cross Bar	1	







PART LIST T-4284XB

When unpacking, please be careful not to discard any parts with the packaging. Before continuing, please make sure you have the following parts:

NO	Description	Qty	Sketch	NO	Description	Qty	Sketch
C	Mounting Plate	2		D	Pedestal	4	
E	Leg	2					

HARDWARE LIST

When unpacking, please be careful not to discard any parts with the packaging. Before continuing, please make sure you have all of the following hardware:

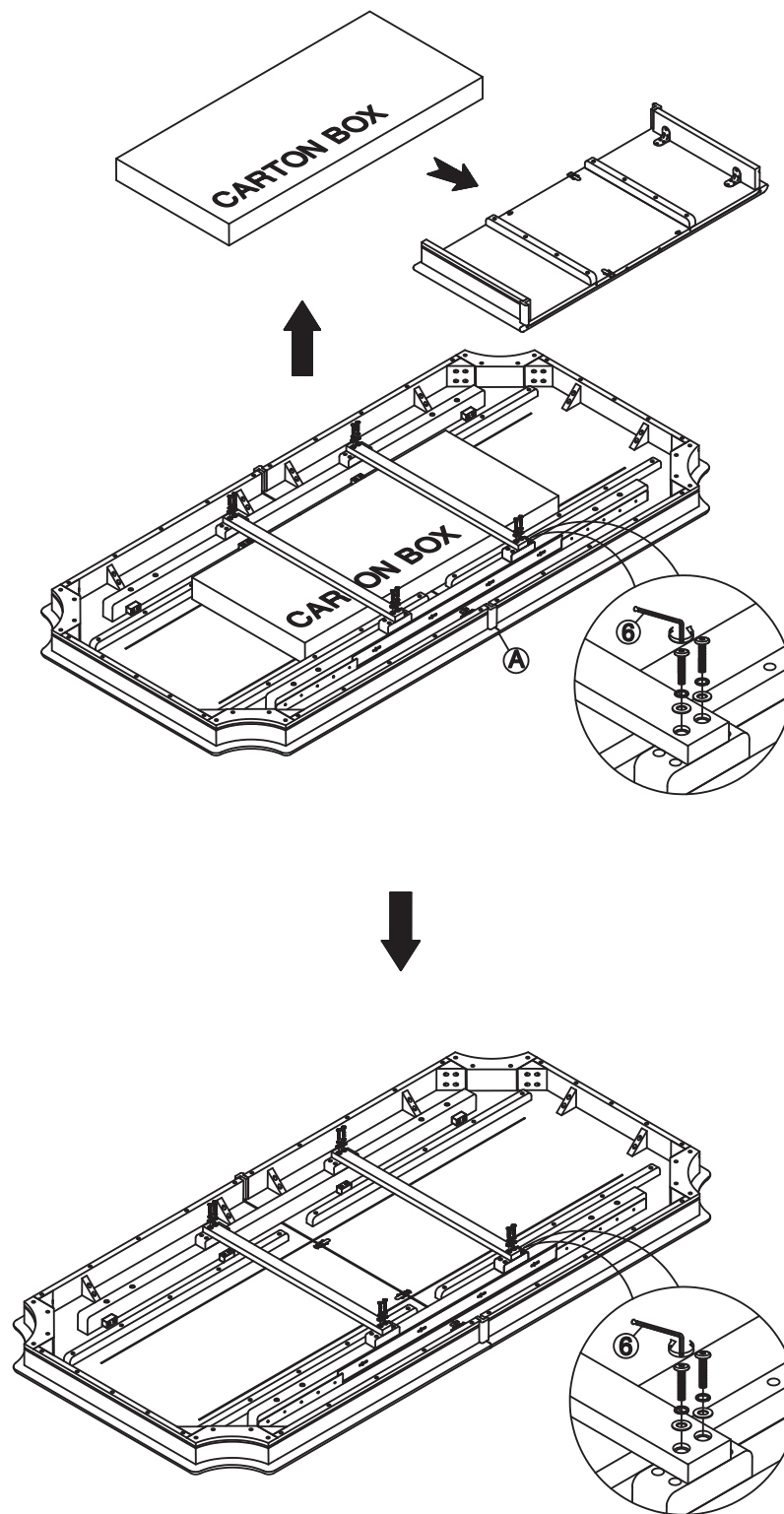
NO	Description	Qty	Sketch	NO	Description	Qty	Sketch
1	Short Bolt (M8 x 50mm)	12		2	Long bolt (M8 x 70mm)	6	
3	Lock Washer (Φ 8.5 x 13mm)	16		4	Flat Washer (2 x Φ 8.5 x 19mm)	16	
5	U - Washer M8	2		6	Allen Key (M4 x 30mm x 110mm)	1	

NOTE: HARDWARE IS PACKED IN CARTON T-4284XB.

STEP 1

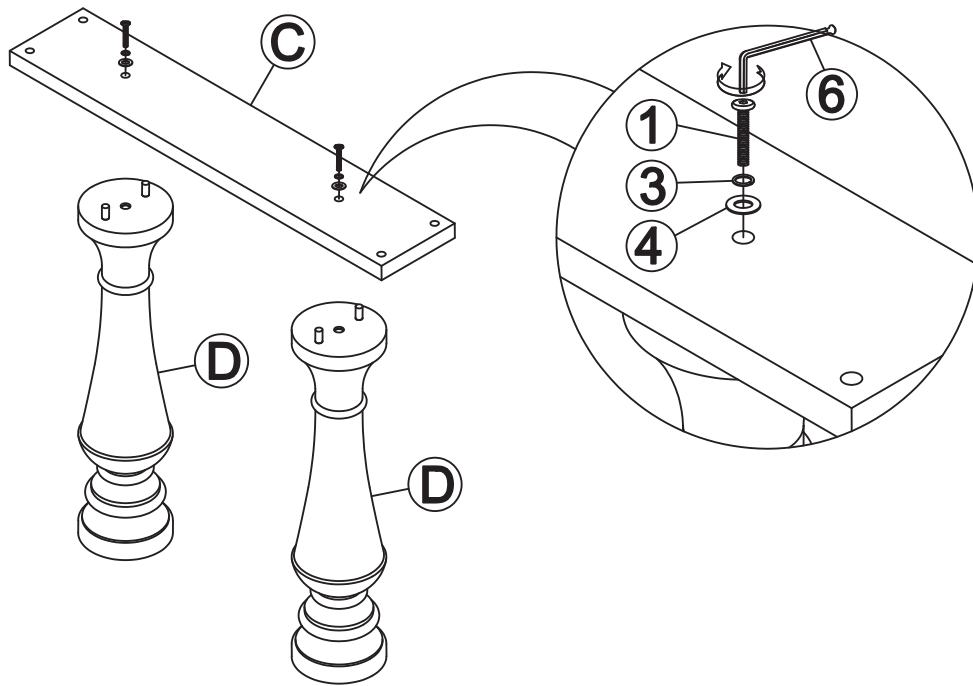
Use the Allen key (6) to loosen the bolts and washers, and then remove support rails from bottom of the table top (A) as shown below.

Take out the leaf from the carton box, then re-attach support rails to the table top as shown below.



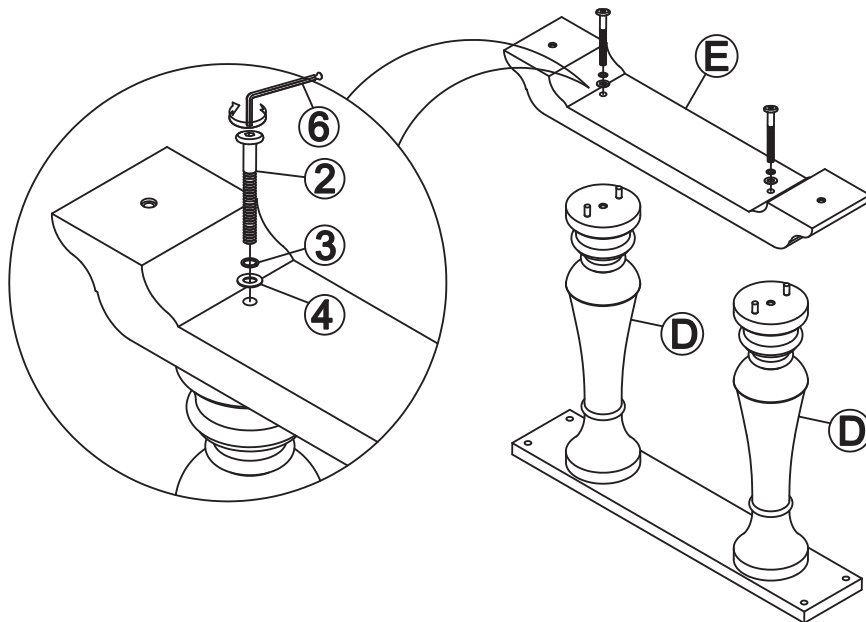
STEP 2

Attach mounting plates (C) to pedestals (D) with bolts (1), and washers (3) and (4) as shown below. Tighten with Allen key (6).



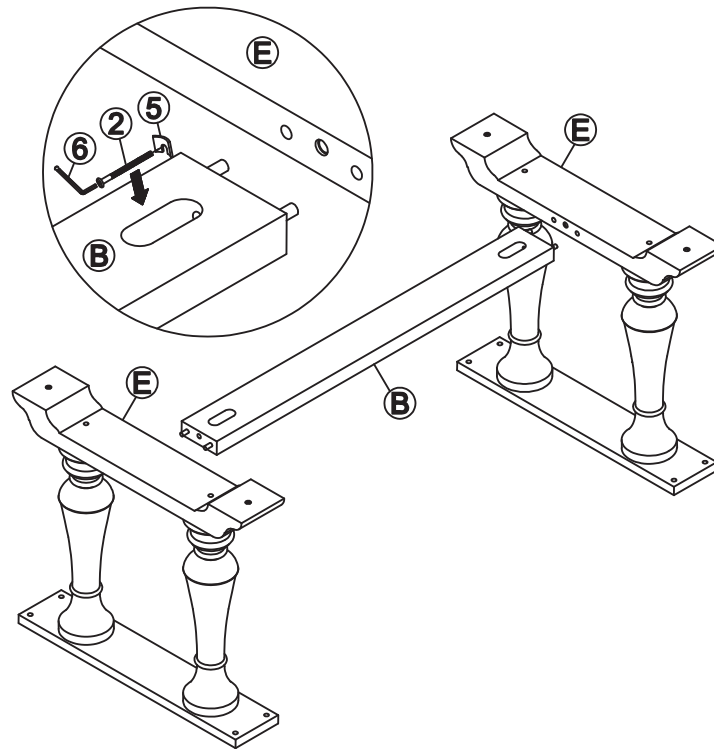
STEP 3

Attach legs (E) to pedestals (D) with bolts (2), and washers (3) and (4) as shown below. Tighten with Allen key (6).



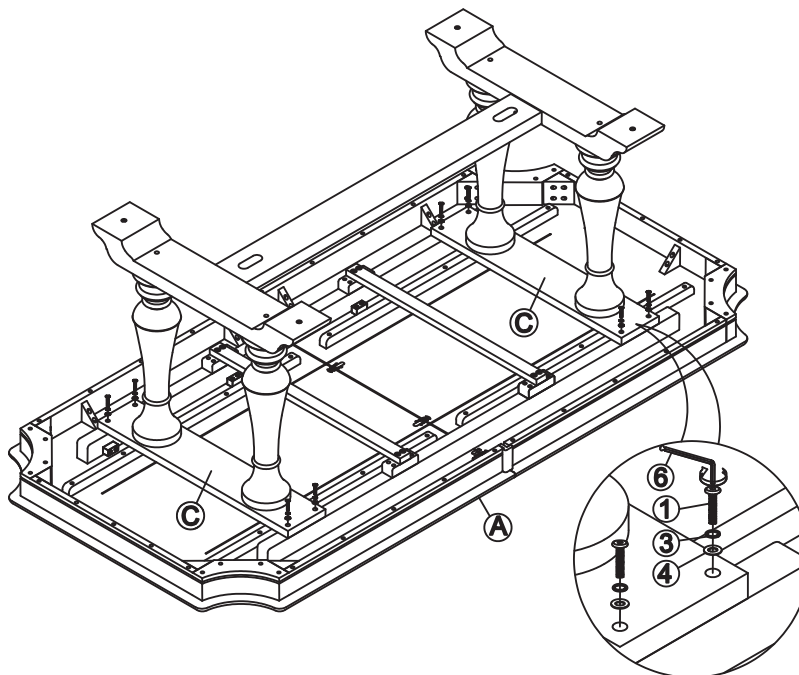
STEP 4

Insert crossbar (B) into the legs (E), and then attach with bolts (2) and u-washers (5) as shown below. Tighten with Allen key (6).



STEP 5

Attach mounting plates (C) to top (A) with bolts (1), and washers (3) and (4) as shown below. Tighten with Allen key (6).



ITEM NO.: T-4284XA AND T-4284XB
ISSUED JUL 24, 2018

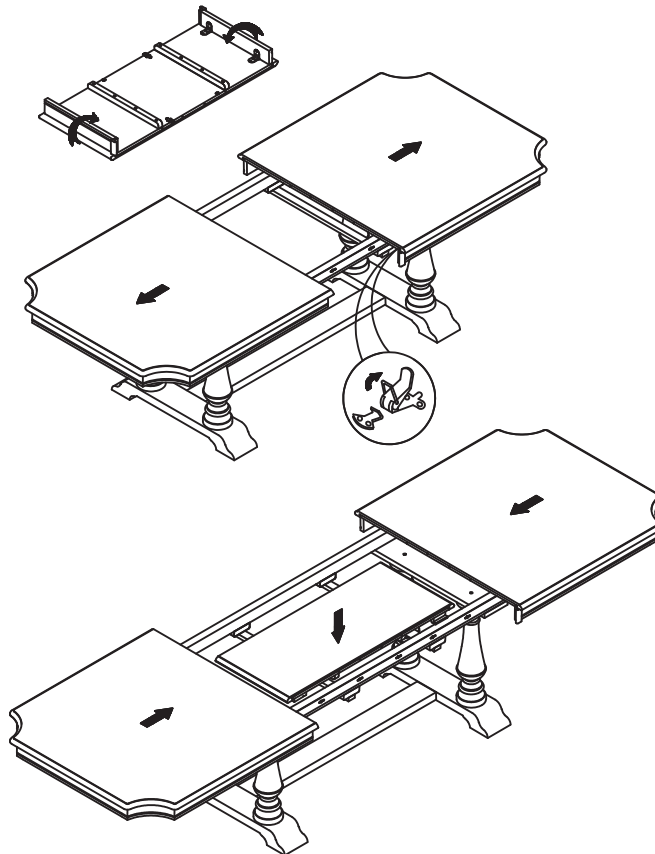
Printed in Vietnam
THIS ITEM IS PACKED IN 2 CARTONS

STEP 6

Unlock the table top (A) from both sides underneath the top as shown below.

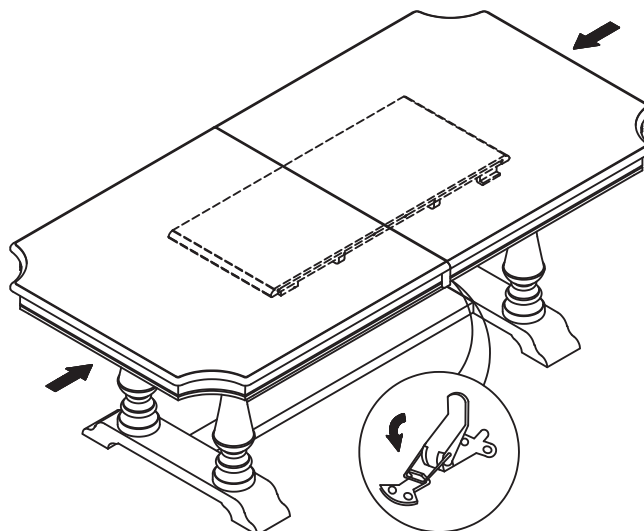
Pull the two parts of the table top apart.

Fold two aprons of the center leaf and put it on support rails underneath the table top as shown below.



STEP 7

Push the table top closed. Lock the mechanism underneath two sides of the table top as shown below.



ITEM NO.: T-4284XA AND T-4284XB
ISSUED JUL 24, 2018

Printed in Vietnam
THIS ITEM IS PACKED IN 2 CARTONS

STEP 8

Unlock the table top from both sides underneath the top as shown below. Pull the two parts of the table top apart.

Unfold two aprons of the leaf as shown below.

Place the leaf in the center of the open table top. Push the table top closed. Lock the mechanism underneath two sides of the table top as shown below.

