

Bryce Panel Beds

RLN = Ridgeline finish

Assembly Instructions

Model #

2562RLN

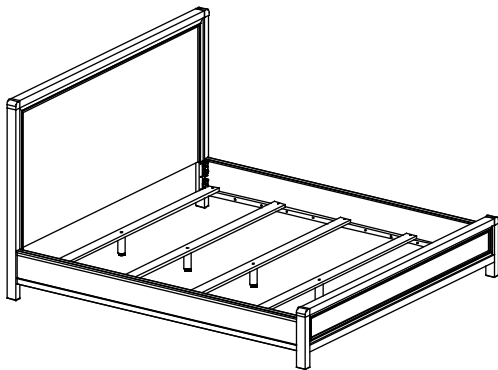
Bryce Queen Panel Bed

2567RLN

Bryce King Panel Bed

2571RLN

Bryce Cal-King Panel Bed



Thank you for allowing us to help you furnish your home. We are certain you will be delighted with your new furniture for many years to come.

IMPORTANT NOTES:

- Wood can be susceptible to changing color over time when exposed to strong sunlight. Use window shades, drapes or blinds to protect your furniture. To help the surface age evenly and avoid dark and light spots, periodically move items to expose the entire surface to an even amount of light so it may develop a uniform patina.
- For normal household use only. *Not* recommended for commercial use.
- Remove items before you move this unit.
- This assembly requires two people.

WARNING

Drilling, sawing, sanding or machining wood products can expose you to wood dust, a substance known to the state of California to cause cancer. Avoid inhaling wood dust or use a dust mask or other safeguards for personal protection.

For more information go to: www.p65warnings.ca.gov/wood

This product can expose you to chemicals, including formaldehyde, which are known to the State of California to cause cancer.

For more information go to: www.p65warnings.ca.gov/furniture

DESIGN SUBJECT TO CHANGE WITHOUT NOTICE.

CUSTOMER SERVICE

If you ever have questions about your furniture, please do not hesitate to contact us. In the unlikely event you need a replacement part; we can make those parts available through an authorized Whittier Wood Furniture dealer. If you cannot order replacement parts through your dealer, please contact our customer service department.

Hours: Our friendly customer service staff can be reached:

Monday-Friday 8:00 a.m. to 5:00 p.m. (Pacific Time).

You may leave a message 24 hours a day, seven days a week.

Customer Service: 800-653-3336 • Outside the U.S.: 541-687-0213

Fax: 541-687-2060 • Email: info@whittierwood.com

**Whittier
Wood**
FURNITURE

P.O. Box 2827
Eugene, OR 97402 USA

Production Code:

VN

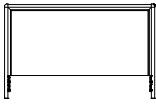


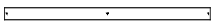
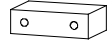



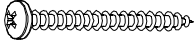



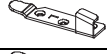

10/19

2562RLN Bryce Queen Panel Bed
2567RLN Bryce King Panel Bed
2571RLN Bryce Cal-King Panel Bed
Parts List

Please note this Assembly Instruction is for all four beds. Please identify the bed part number when ordering parts.

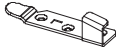
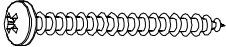
Please identify the parts and check that the quantities received match those on this list. If you need to replace a part, refer to the model number, part letter and name.

2564RLN Queen Panel Headboard/Footboard Kit (x1)
2569RLN King Panel Headboard/Footboard Kit (x1)
2573RLN Cal-King Panel Headboard/Footboard Kit (x1)

Part	Description	Quantity
A	Headboard Assembly 	1
B	Footboard Assembly 	1
C	Assembled Foot 	4
D	Slat 	5
E	Slat Support (attached) 	1
F	Adjustable Glide with Hex Nut (installed) 	4
G	#8 x 1-1/4" Black Screw 	10
H	#8 x 1" Black Screw (inserted) 	24
I	#10 x 2" Pan Head Screw (inserted) 	12
J	1/4" T-Nut (inserted) 	5
K	5/16" x 3/4" Insert Nut (inserted) 	4
L	1/4" x 45mm Hanger Bolt (inserted) 	4
M	Small Left Bed Bracket (attached) 	4
N	Small Right Bed Bracket (attached) 	4

2562RLN Bryce Queen Panel Bed
2567RLN Bryce King Panel Bed
2571RLN Bryce Cal-King Panel Bed
Parts List

2566RLN Queen/King Panel Rail Kit (x1)
2575RLN Cal-King Panel Rail Kit (x1)

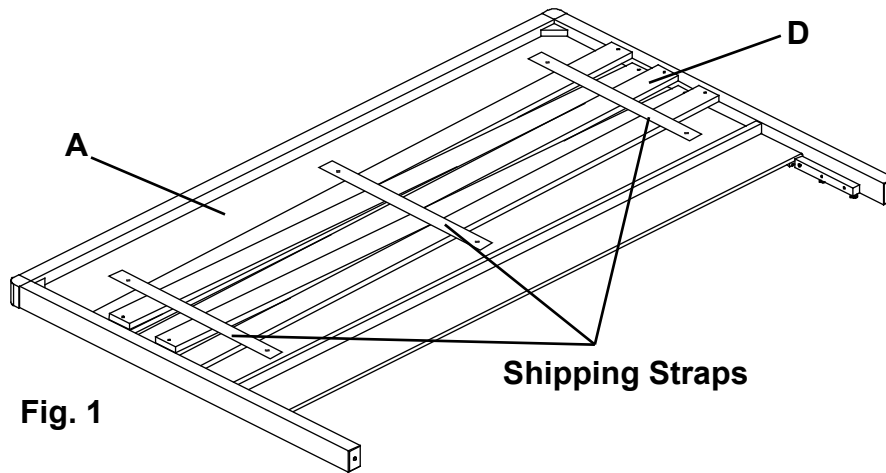
Part	Description	Quantity
M	Small Left Bed Bracket (attached) 	4
N	Small Right Bed Bracket (attached) 	4
O	Side Rail 	2
P	#8 x 5/8" Flat Head Screw (inserted) 	24
Q	#10 x 2" Pan Head Screw (inserted) 	22

2562RLN Bryce Queen Panel Bed
2567RLN Bryce King Panel Bed
2571RLN Bryce Cal-King Panel Bed
Assembly Instructions

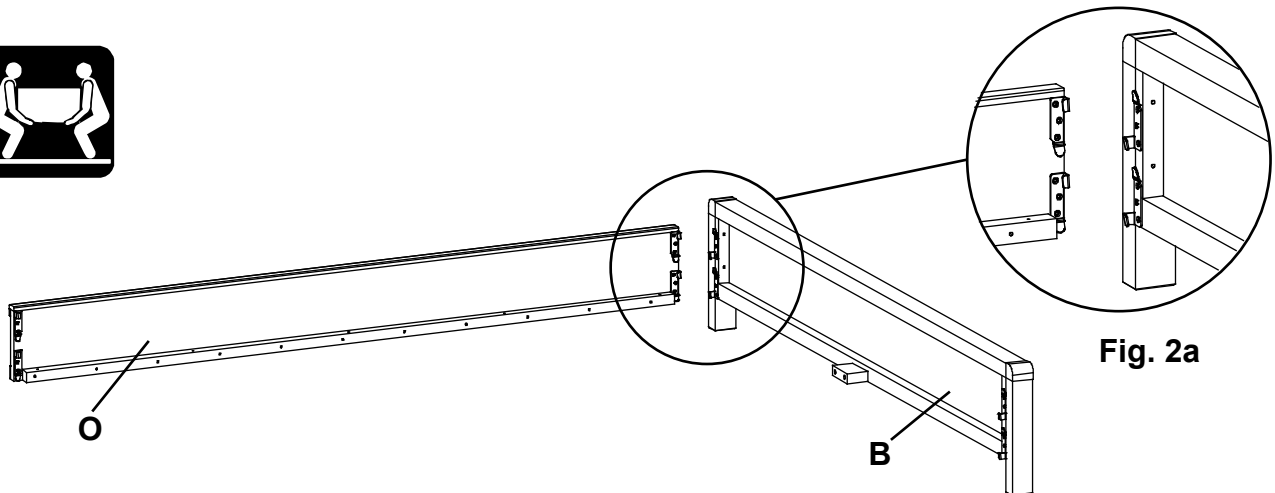
This assembly requires two people.

Tools Required: Phillips screwdriver

1. Remove the Slats (D) from the back of the Headboard (A) and place them off to the side. See Figure 1.



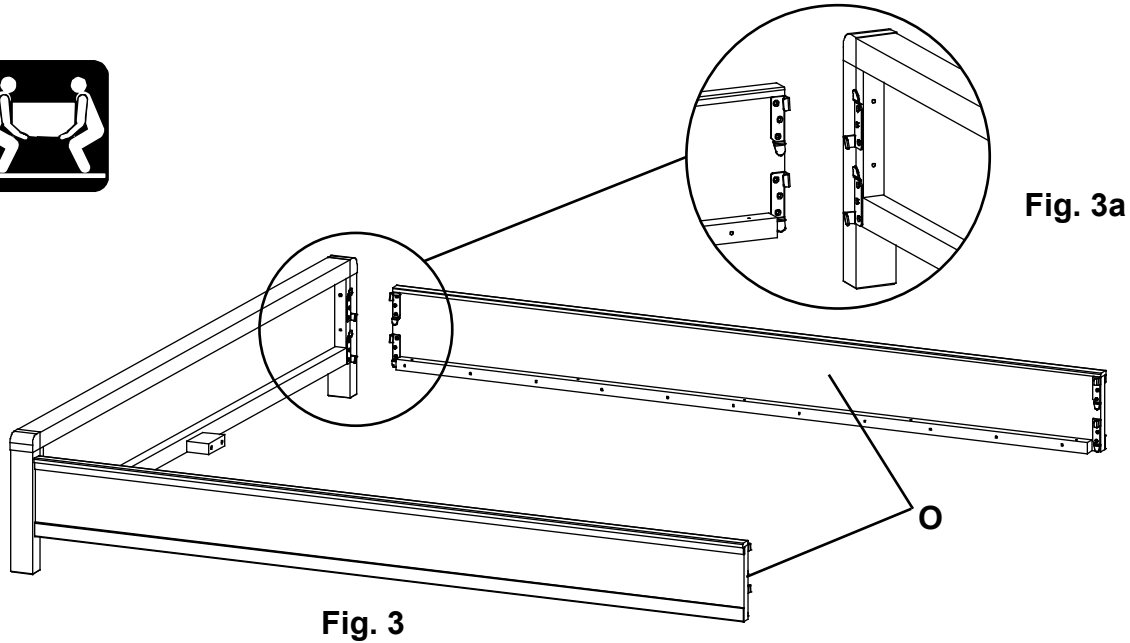
2. To attach the Footboard (B) to the Side Rail (O), align the Brackets and slide the Side Rail (O) down on to the Footboard (B). See Figures 2 and 2a.



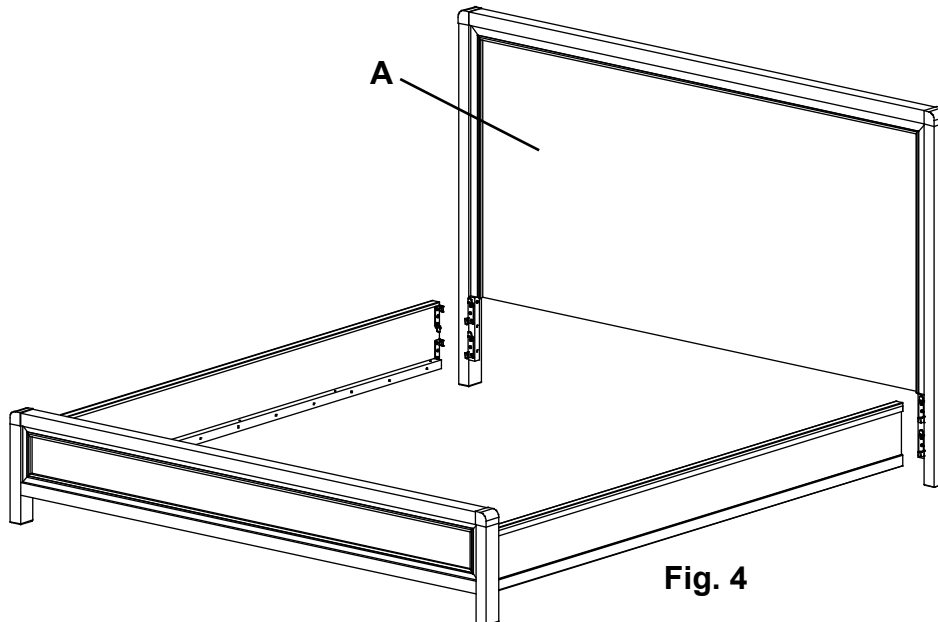
2562RLN Bryce Queen Panel Bed
2567RLN Bryce King Panel Bed
2571RLN Bryce Cal-King Panel Bed
Assembly Instructions

This assembly requires two people.

3. Repeat step two for the other side. See Figures 3 and 3a.



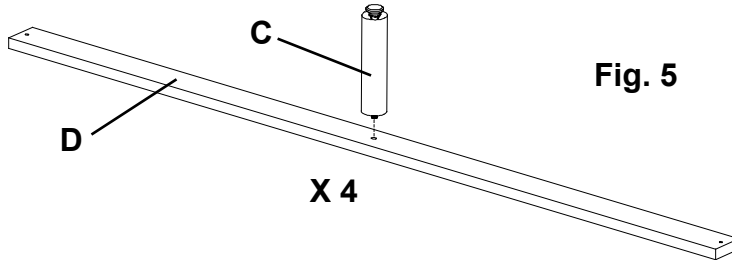
4. Align the Brackets on both sides and slide the Side Rail/Footboard assembly down on to the Headboard (A). See Figure 4.



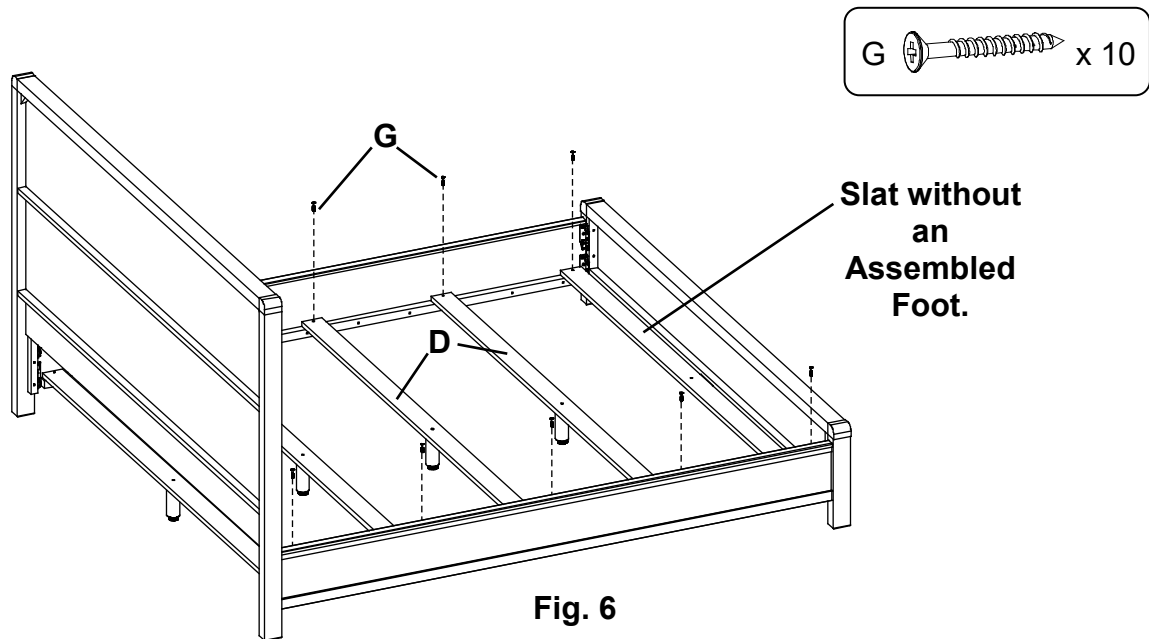
**2562RLN Bryce Queen Panel Bed
2567RLN Bryce King Panel Bed
2571RLN Bryce Cal-King Panel Bed**
Assembly Instructions

This assembly requires two people.

5. Attach an Assembled Foot (C) to four of the five Slats (D) as shown in Figure 5.



6. Move the bed assembly to its final position. Position the Slats (D) on the bottom edges of the rails and place the slat without the Assembled Foot nearest to the Footboard. Attach with #8 x 1-1/4" Black Screws (G). See Figure 6.



7. Adjust the Adjustable Glides with Hex Nut (F) on the Assembled Feet (C) so the Glides (F) touch the floor, making sure the Assembled Feet bear weight.

