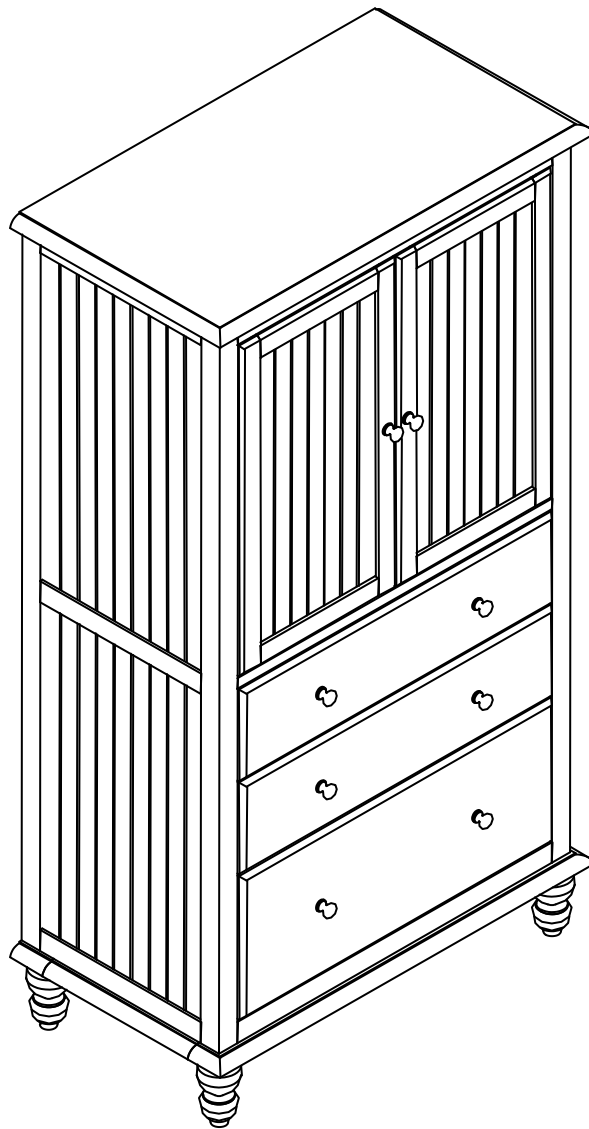


ASSEMBLY INSTRUCTIONS



WARNING!

Serious or fatal injuries can occur from furniture tip over. Use tip over restraint (steel band included) to secure this product to the wall.

Description : COTTAGE 3 DRAWER ARMOIRE

Item No. : BD-2033A

ITEM NO.: BD-2033A
REVISED OCT 10, 2017

Printed in Vietnam

BEFORE ASSEMBLY

Thank you for purchasing this quality product. This product has been designed for easy assembly and constructed for durability. All parts were checked prior to packaging to insure quality. Prior to beginning assembly, however, make sure all parts and hardware are included and free of obvious defect. If a part is missing or defective, please contact the store where purchased. If hardware is missing, or you need help with assembly, please call toll free 888-944-8396.

IMPORTANT NOTE:

- Place all wooden parts on a clean and smooth surface such as a rug or carpet to avoid the parts from being scratched.
- Remove all wrapping material, including staples & packing straps before you start to assemble.
- DO NOT tighten all screws and bolts until completely assembled.
- Keep all hardware parts out of reach of children.

WARNING:

Long exposure to rubber or soft plastic may cause a chemical reaction and damage the finish of your product. Protect the surface of the product with cloth if you are using any product with rubber feet or base.

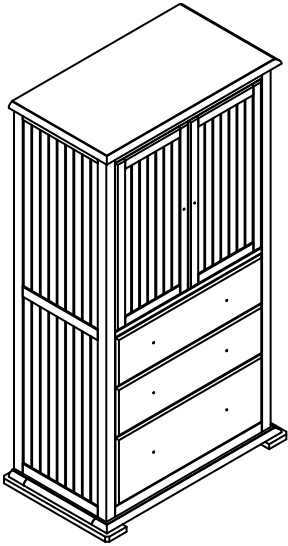
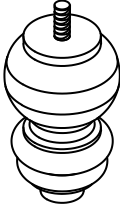
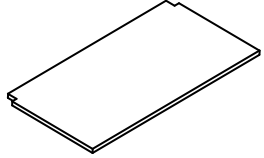
ASSEMBLY TOOLS REQUIRED

NOT INCLUDED



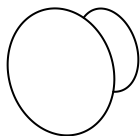

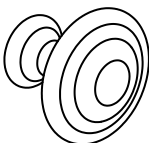
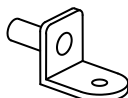
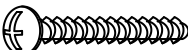
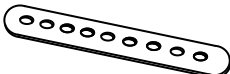

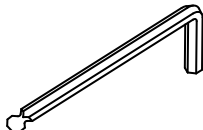

PART LIST

When unpacking, please be careful not to discard any parts with the packaging. Before continuing, please make sure you have the following parts:

NO	Description	Qty	Sketch
A	3 DRAWER ARMOIRE	1	
B	LEG	4	
C	SHELF	2	

HARDWARE LIST

When unpacking, please be careful not to discard any parts with the packaging. Before continuing, please make sure you have all of the following hardware:

NO	Description	Qty	Sketch	NO	Description	Qty	Sketch
1	Wooden knob ($\Phi 35 \times 35\text{mm}$)	8		4	Short screw (M3.5 x 15mm)	12	
	METAL KNOB ($\Phi 32 \times 28\text{mm}$) GOES WITH FINISHED ITEM ONLY.	8		5	Bracket	8	
2	Pan head screw *Wooden knob: (M4x25mm)	8		6	Steel band	2	
	Pan head screw *Metal knob: (M4x22mm)	8		7	Allen key (M4 x 30mm x 110mm)	1	
3	Long screw (M4 x 35mm)	2					

NOTE: WARNING LABEL (INCLUDED)

WARNING

Serious or fatal crushing injuries can occur from furniture tipover. To help prevent tipover:

- Install tipover restraint provided.
 - Place heaviest items in the lower drawers.
 - Unless specifically designed to accommodate, do not set TVs or other heavy objects on top of this product.
 - Never allow children to climb or hang on drawers, doors or shelves.
 - Never open more than one drawer at a time.
- Use of tipover restraints may only reduce, but not eliminate, the risk of tipover.**

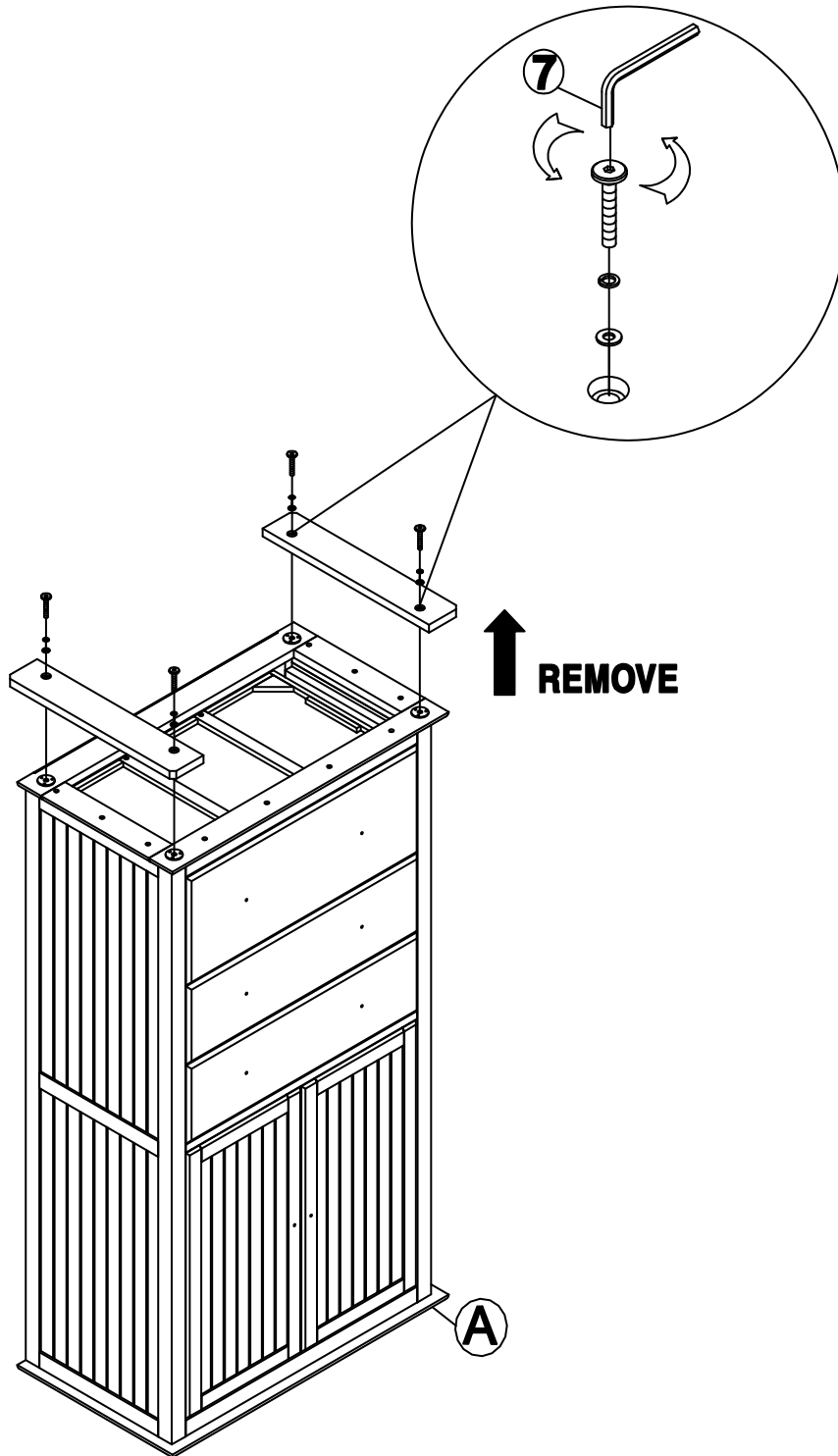
This is permanent label. Do not remove.

ITEM NO.: BD-2033A
REVISED OCT 10, 2017

Printed in Vietnam

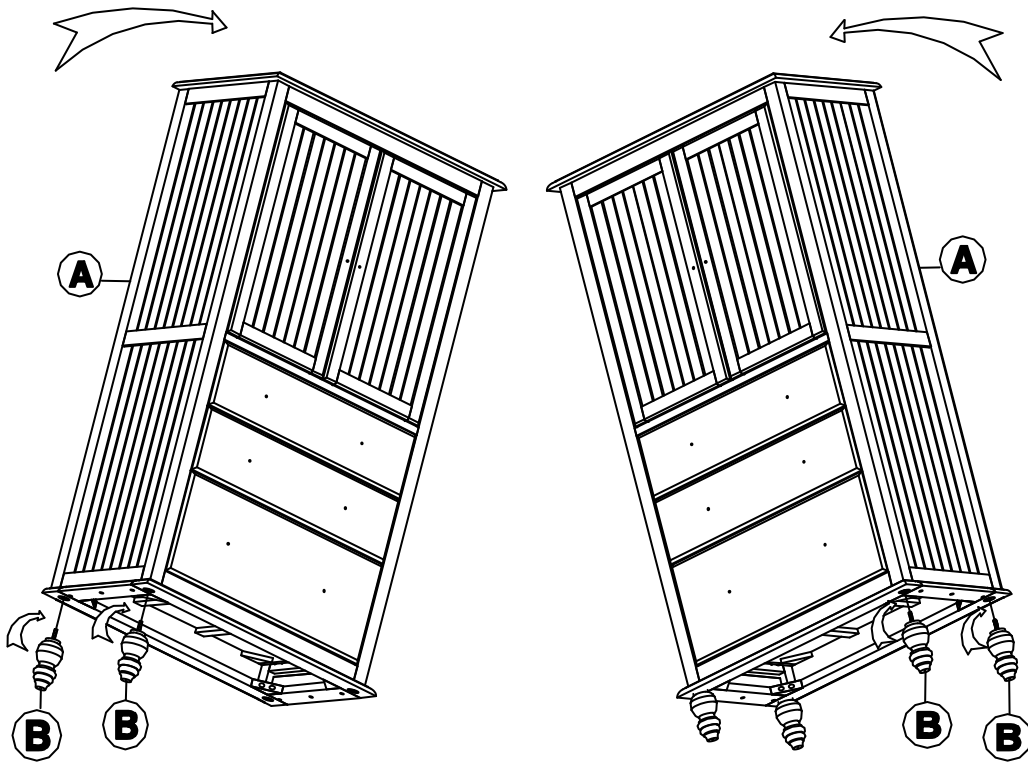
STEP 1

Use the Allen key (7) to loosen the bolts and washers, and then remove two pieces of wood from bottom of the armoire (A), as shown below.



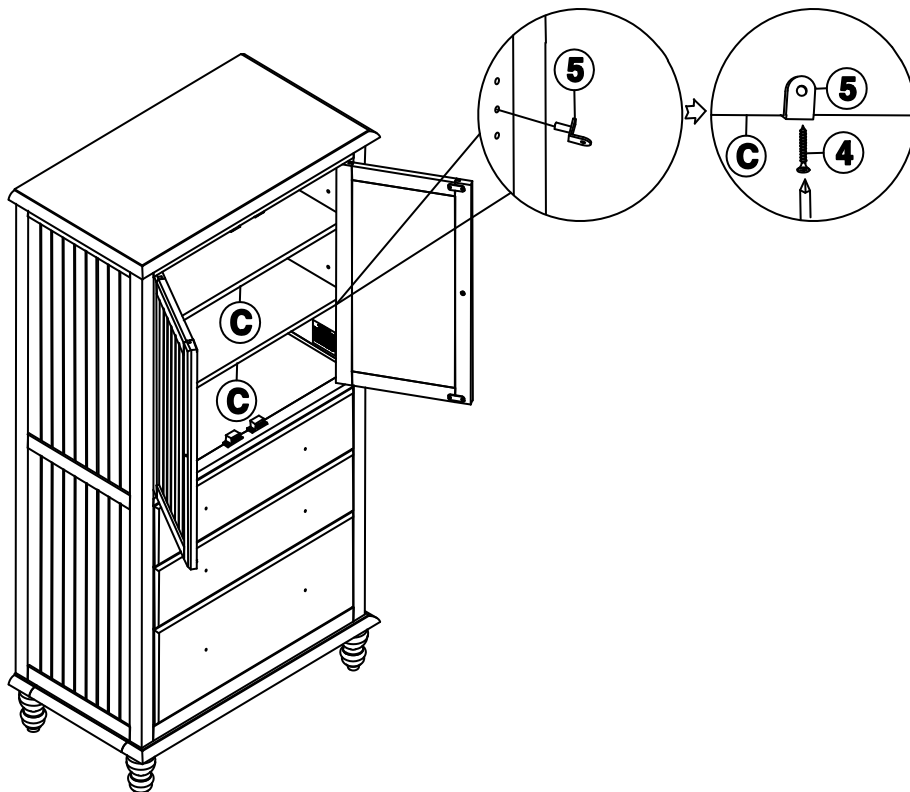
STEP 2

Lift the armoire (A) to attach legs (B) by screwing them into armoire (A), as shown below.



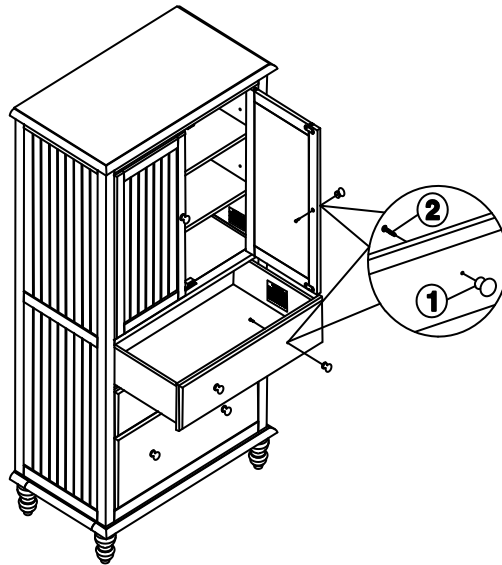
STEP 3

Attach brackets (5) to the unit as shown below. Place shelves (C) on the brackets and attach with screws (4). Tighten with a screwdriver.



STEP 4

Attach knobs (1) to front of drawers and doors with pan head screws (2), as shown below. Tighten with a screwdriver.



STEP 5

Attach steel bands (6) to the unit with screws (4) as shown below.
(to secure the product to the wall and reduce the risk of tipping over).

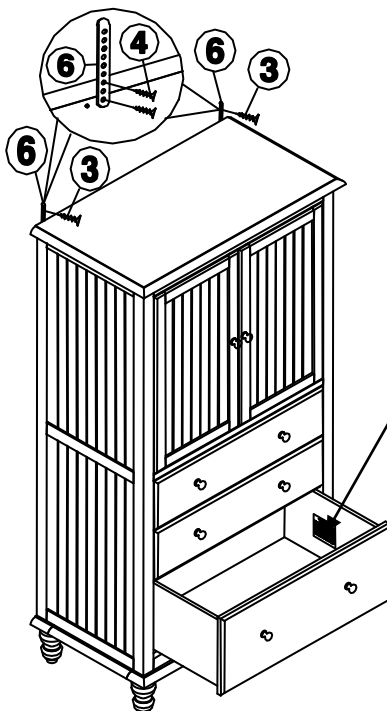
Important!

Properly attach steel bands (6) to the wall in an area of **drywall or plaster with a wood stud**:

Mark the attachment point(s) with a pencil at the appropriate height **positioned over the wood stud(s) in the wall**.

Drill 1/8-inch (3mm) diameter hole(s) into the wood stud(s) located in the wall, where you marked with the pencil.

Properly attach steel bands to the wall with screws (3) and tighten screw(s) firmly into the wall.



WARNING

Serious or fatal crushing injuries can occur from furniture tipover. To help prevent tipover:

- Install tipover restraint provided.
 - Place heaviest items in the lower drawers.
 - Unless specifically designed to accommodate, do not set TVs or other heavy objects on top of this product.
 - Never allow children to climb or hang on drawers, doors or shelves.
 - Never open more than one drawer at a time.
- Use of tipover restraints may only reduce, but not eliminate, the risk of tipover.**

This is permanent label. Do not remove.